



capello

PARTS MANUAL

Helihus

12000
9400
7500
5700

Grazie per aver acquistato un prodotto dalla Capello s.r.l

Scopo: Questo catalogo dei componenti è stato progettato per offrire agli utilizzatori una risorsa efficace per individuare le parti di ricambio per le apparecchiature prodotte dalla Capello S.r.l.

Indirizzo: Via Valle Po 100
12100 Cuneo, Italia

Ricambi e assistenza Tel.: +39 0171-413997

Fax ufficio ricambi: +39 0171-413677

E-Mail: parts@capello.it

Website: www.capelloworld.it

Stampato in: Italia

Anno di pubblicazione: 2015

Disconoscimento: La Capello s.r.l ha fatto ogni sforzo possibile per garantire che tutte le informazioni, le illustrazioni e le specifiche contenute in questo catalogo siano accurate al momento della pubblicazione.
La Capello s.r.l si riserva il diritto di apportare modifiche nelle costruzioni dei propri prodotti quanto tali modifiche sono considerate un miglioramento o un perfezionamento senza incorrere l'obbligo di aggiungere tali modifiche su qualsiasi prodotto già venduto.

Thank You for purchasing a product from Capello s.r.l

Purpose: This Parts Catalogue is designed to provide Dealers with an efficient resource to locate replacement parts for Capello s.r.l equipment.

Address: Via Valle Po 100
12100 Cuneo, Italy

Parts & Service Tel.: +39 0171-413997

Parts Dept. Fax: +39 0171-413677

E-Mail: parts@capello.it

Website: www.capelloworld.it

Printed in: Italy

Year of Publication: 2015

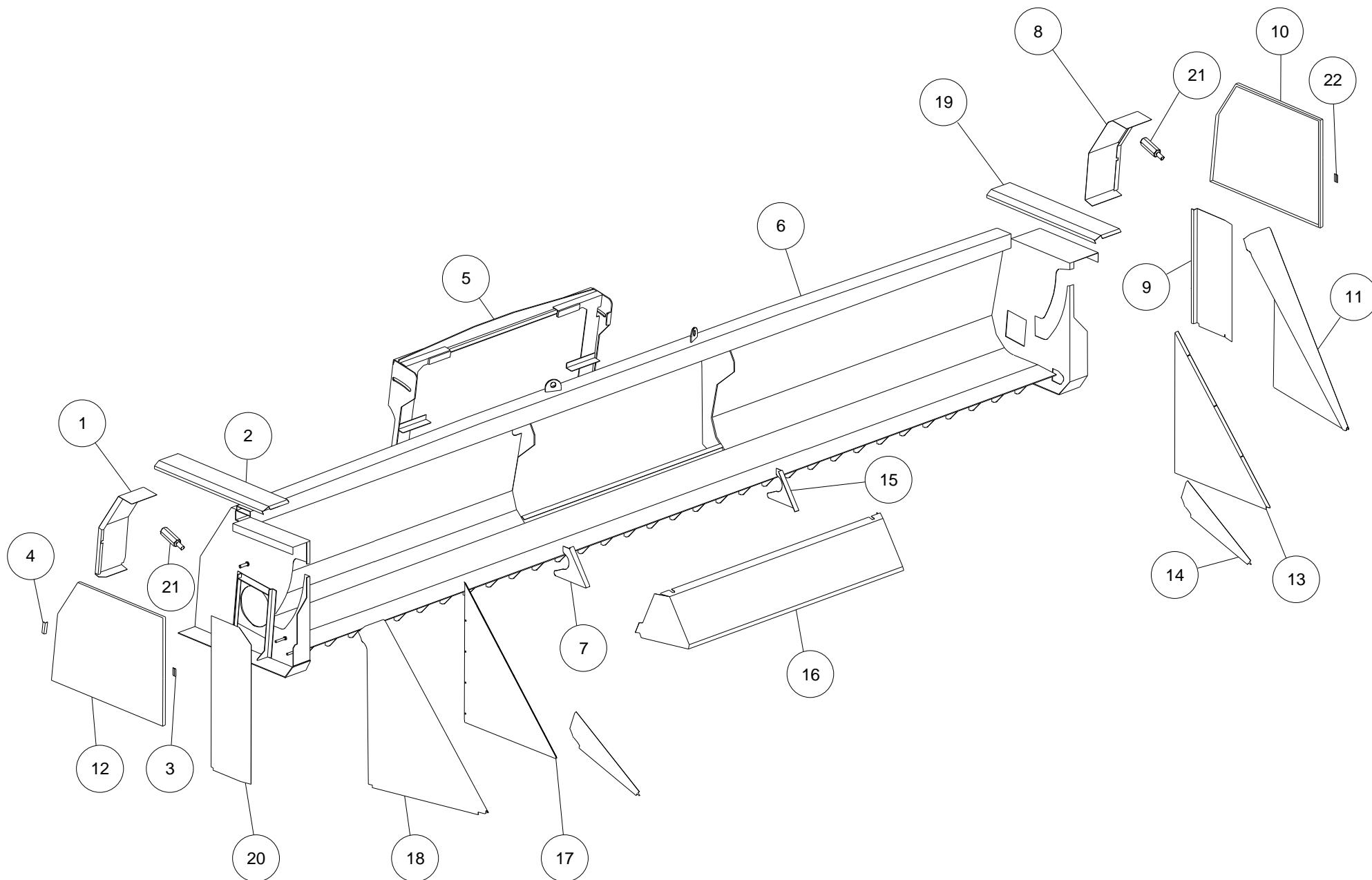
Disclaimer: Capello s.r.l has made every effort possible to ensure all information, illustrations and specifications in this Parts Catalogue, are accurate at the time of publication.
Capello s.r.l reserves the right to make changes in the construction of its products when such changes are deemed an improvement or refinement, without incurring the obligation to add such changes to any product already sold.

Table of Contents

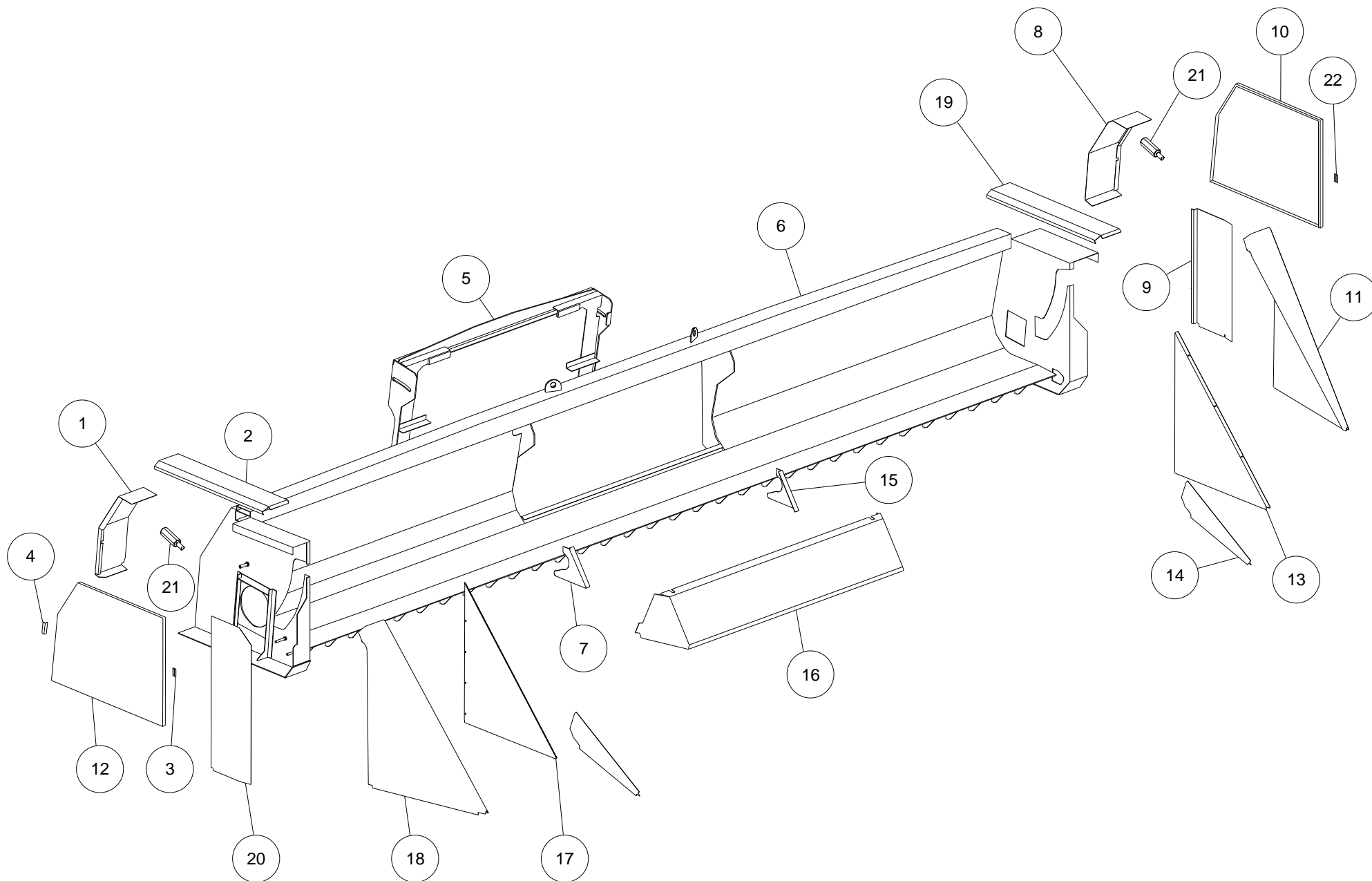
PANEL	Page
FRAME	6
RUBBER CURTAIN	10
BALLAST WEIGHT	12
CUTTER BAR	14
REEL SHROUD 5700	16
REEL SHROUD 7500	18
REEL SHROUD 9400	20
REEL SHROUD 12000	22
SHROUD SUPPORT 5700	24
SHROUD SUPPORT 7500	26
SHROUD SUPPORT 9400	28
SHROUD SUPPORT 12000	30
LINKAGE	32
RIGHT SUPPORT	34
LEFT SUPPORT	36
AUGER 5700	38
AUGER 7500	40
AUGER 9400	42
AUGER 12000	44
MIDDLE BRACKET	46
RIGHT SUPPORT	48
LEFT SUPPORT	50
DRIVE LINES	52
DRIVE LINES	54
MAIN INPUT	56
CHAIN DRIVE MAIN	58
CHAIN DRIVE AUGER	60
CHAIN DRIVE AUGER	64
BELT DRIVE CUTTERBAR UP TO 2015	68
BELT DRIVE CUTTERBAR FROM 2015	72
BELT TENSIONER	76
CHAIN DRIVE AUGER	78
REEL DRIVE	82
RIGHT REEL	84
LEFT REEL	86
MULTICOUPLER AGCO	88

Table of Contents

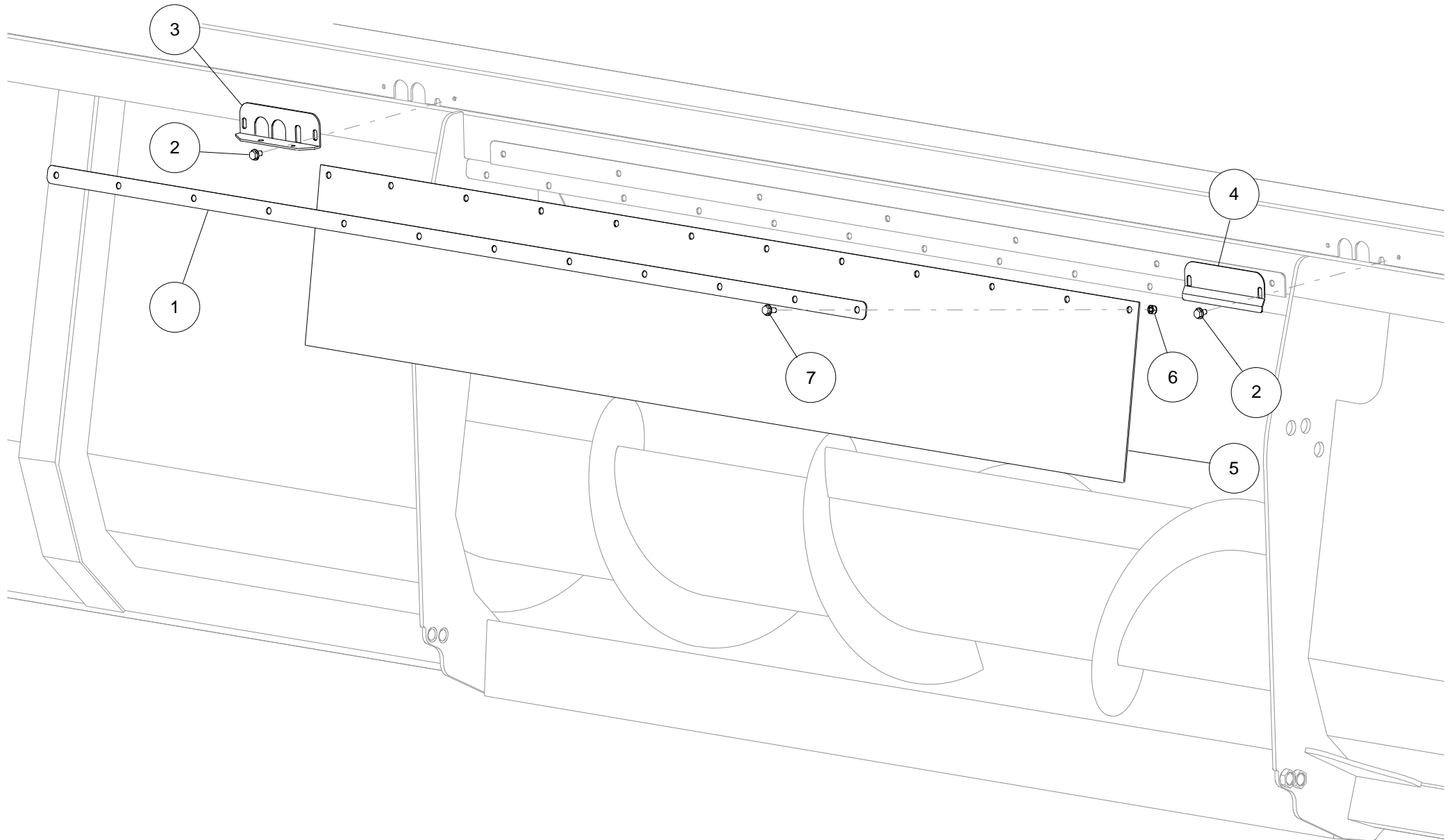
PANEL	Page
MULTICOUPLER CNH	90
MULTICOUPLER CASE IH	92
MULTICOUPLER JOHN DEERE	94
MULTICOUPLER JOHN DEERE Z (2000)	96
MULTICOUPLER LEXION 4XX	98
MULTICOUPLER LEXION 5-6-7XX	100
CLAAS LEXION MOUNTING PLATE	102
CLAAS MEDION MOUNTING PLATE	104
JOHN DEERE MOUNTING PLATE	105
AGCO MOUNTING PLATE	106
NEW HOLLAND CX MOUNTING PLATE	107
GLEANER S / R SERIES MOUNTING PLATE	108
SAFETY STICKERS	109



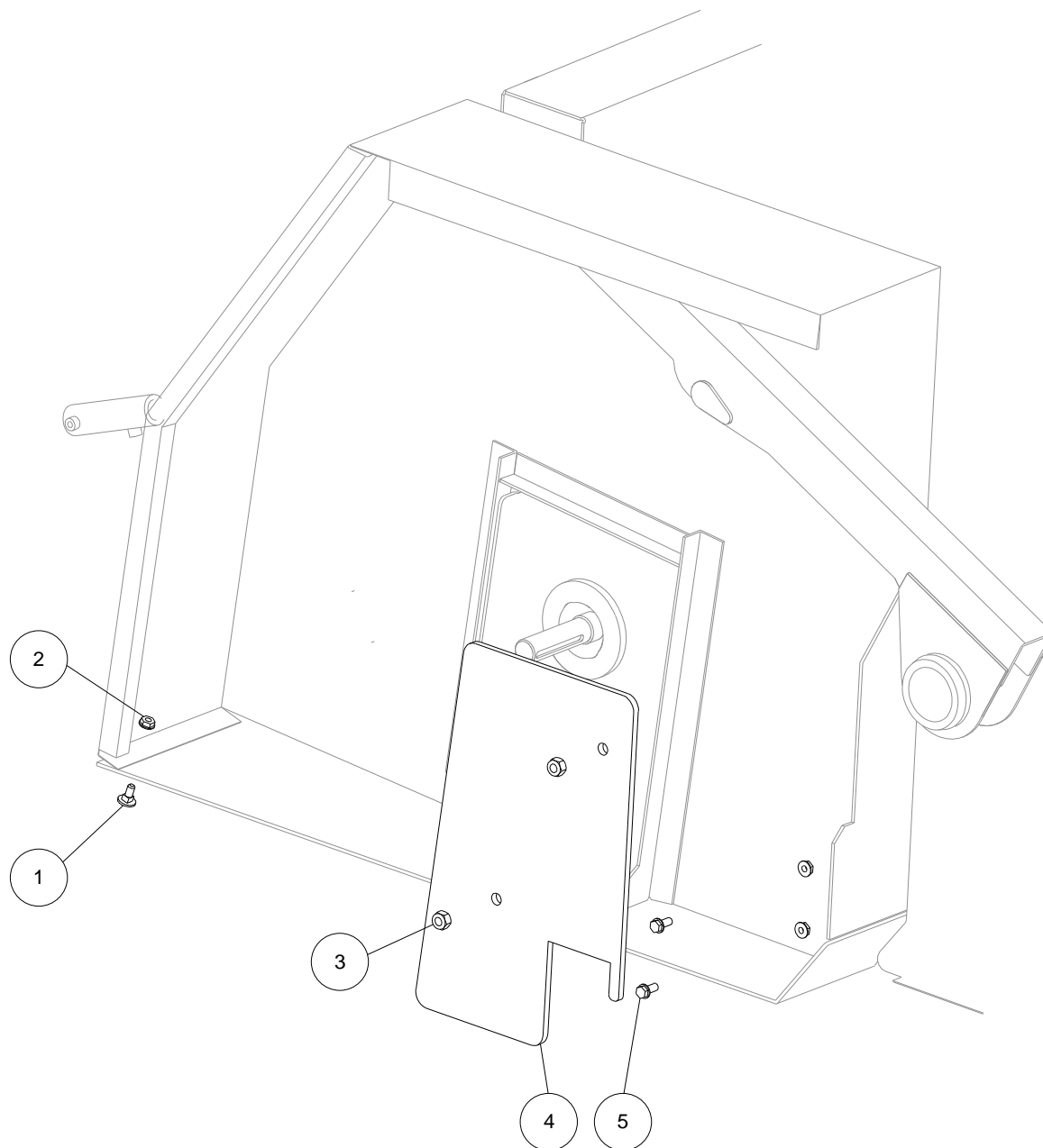
Pos	Code	Descrizione	Note	Description	Description	Beschreibung	Descripcìon
1	S1-40139	CARTER POSTERIORE DESTRO		BACK RIGHT COVER	COUVERTURE ARRIÈRE DROITE	DECKEL HINTEN RECHTS	CUBIERTA TRASERA DERECHA
2	S1-40140	LONGHERONE DESTRO		RIGHT SPAN	LONGERON DROITE	SHOLM RECHTS	LANGUERO DERECHO
3	S2-40023	CERNIERA DESTRA		RIGHT HINGE	CHARNIERE DROITE	SCHARNIER RECHTS	BISEGRA DERECHA
4	PMF-000001	SERRATURA		DOOR LOCK	FERRURE	TUERSCHLOSS	CERRADURA
5	S3-50001	PIASTRA D'ATTACCO COMPLETA	LEXION	COMPLETE MOUNTING PLATE	PLAQUE COMPLETE	EINHAENGESCHILD KOMPLETT	PLACA DE MONTAJE COMPLETA
5	S3-50004	PIASTRA D'ATTACCO COMPLETA	JOHN DEERE	COMPLETE MOUNTING PLATE	PLAQUE COMPLETE	EINHAENGESCHILD KOMPLETT	PLACA DE MONTAJE COMPLETA
5	S3-50005	PIASTRA D'ATTACCO COMPLETA	NEW HOLLAND	COMPLETE MOUNTING PLATE	PLAQUE COMPLETE	EINHAENGESCHILD KOMPLETT	PLACA DE MONTAJE COMPLETA
5	S3-50006	PIASTRA D'ATTACCO COMPLETA	NEW HOLLAND	COMPLETE MOUNTING PLATE	PLAQUE COMPLETE	EINHAENGESCHILD KOMPLETT	PLACA DE MONTAJE COMPLETA
5	S3-50007	PIASTRA D'ATTACCO COMPLETA	AGCO	COMPLETE MOUNTING PLATE	PLAQUE COMPLETE	EINHAENGESCHILD KOMPLETT	PLACA DE MONTAJE COMPLETA
5	S3-50009	PIASTRA D'ATTACCO COMPLETA	ROSTSELMASH	COMPLETE MOUNTING PLATE	PLAQUE COMPLETE	EINHAENGESCHILD KOMPLETT	PLACA DE MONTAJE COMPLETA
5	S3-50010	PIASTRA D'ATTACCO COMPLETA	CASE IH	COMPLETE MOUNTING PLATE	PLAQUE COMPLETE	EINHAENGESCHILD KOMPLETT	PLACA DE MONTAJE COMPLETA
6	S3-10003	TELAIO	7500	FRAME	CHASSIS	RAHMEN	CHASIS
6	S3-10004	TELAIO	9400	FRAME	CHASSIS	RAHMEN	CHASIS
6	S3-10005	TELAIO	5700	FRAME	CHASSIS	RAHMEN	CHASIS
6	S3-10006	TELAIO	12000	FRAME	CHASSIS	RAHMEN	CHASIS
7	S2-40018	LAMIERA ANTIRIGURGITO DESTRA		RIGHT GUARD	GARANT DROIT	SCHUTZ RECHTS	REPARO DERECHO
8	S1-40141	CARTER POSTERIORE SINISTRO		BACK LEFT COVER	COUVERTURE ARRIÈRE GAUCHE	DECKEL HINTEN LINKS	CUBIERTA TRASERA IZQUIERDA
9	S2-40026	CARTER INTERNO SINISTRO		INTERNAL LEFT COVER	COUVERCLE GAUCHE	DECKEL INTERNE LINKSHANDER	CUBIERTA IZQUIERDA
10	S2-40027	CARTER SINISTRO		LEFT COVER	CARTER GAUCHE	DECKEL LINKS	COBERTURA IZQUIERDA
11	S1-40135	PUNTA LATERALE SINISTRA		LEFT FENDER SNOUT	POINTE GAUCHE	ABTEILERSPITZE LINKS	PUNTA IZQUIERDA
12	S2-40025	CARTER DESTRO		RIGHT GUARD	GARANT DROIT	SCHUTZ RECHTS	CARTER DERECHO
13	S1-40136	PUNTA INTERNA SINISTRA		INTERNAL LEFT POINT	COUVERTURE INTERNE GAUCHE	ABTEILERSPITZE INTERN LINKS	CUBIERTA IZQUIERDA INTERIOR
14	S1-40071	CUSPIDE		PLATE SPACER	PLAQUE	PLAQUE	PLATTE
15	S2-40019	LAMIERA ANTIRIGURGITO SINISTRA		LEFT GUARD	GARANT GAUCHE	SCHUTZ LINKS	REPARO IZQUIERDO
16	S1-40019	LAMIERA ANTIRIGURGITO		GUARD	GARANT	SCHUTZ	REPARO



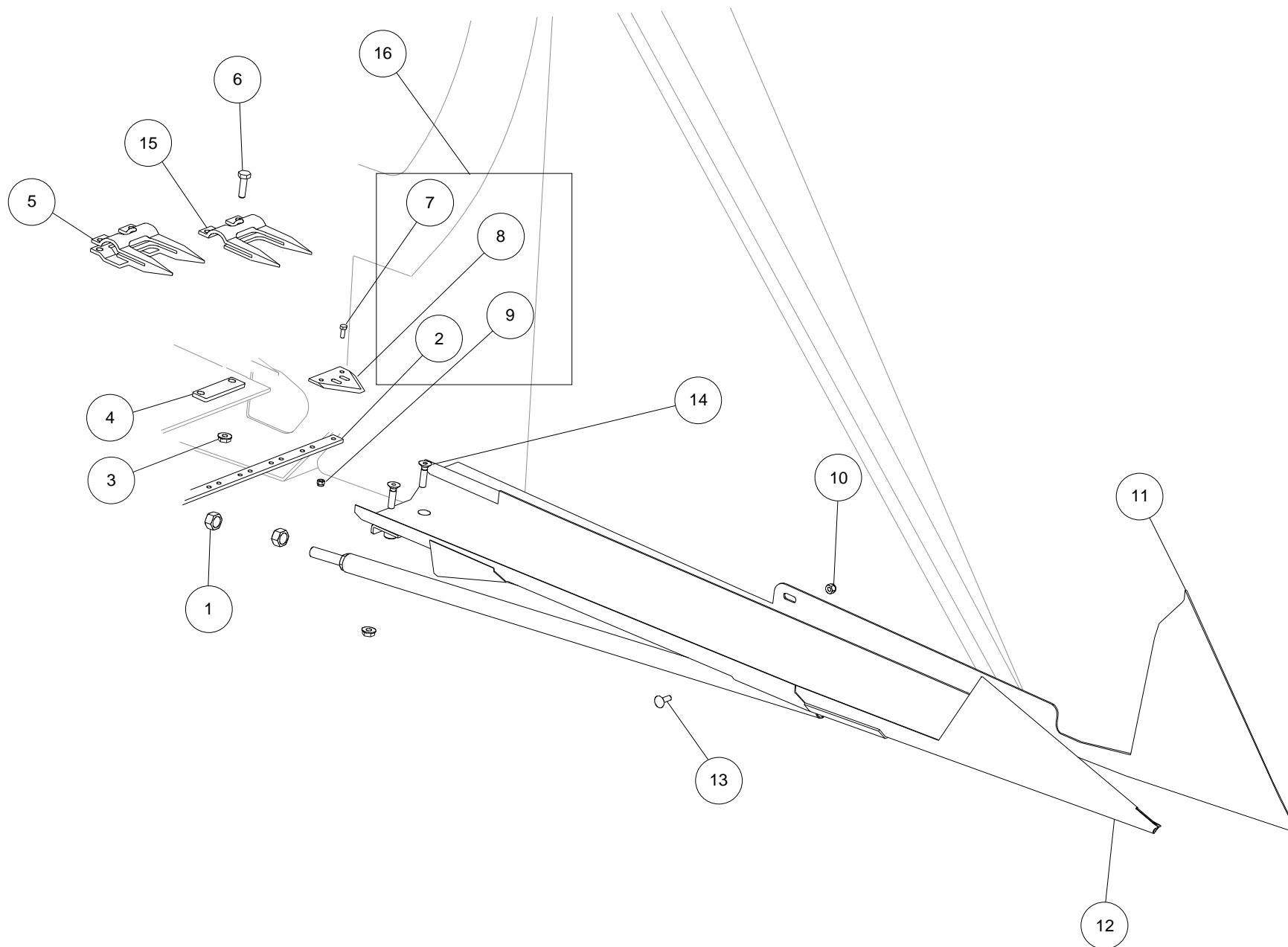
Pos	Code	Descrizione	Note	Description	Description	Beschreibung	Descripcìon
16	S1-40158	LAMIERA ANTIRIGURGITO	12000	GUARD	GARANT	SCHUTZ	REPARO
17	S1-40138	PUNTA INTERNA DESTRA		INTERNAL RIGHT POINT	POINTE INTERNE DROITE	ABTEILERSPITZE INTERN RECHTS	PUNTA DERECHA
18	S1-40137	PUNTA LATERALE DESTRA		RIGHT FENDER SNOUT	POINTE DROITE	ABTEILERSPITZE RECHTS	PUNTA DERECHA
19	S1-40142	LONGHERONE SINISTRO		LEFT SPAN	LONGERON GAUCHE	SHOLM LINKS	LANGUERO IZQUIERDO
20	S2-40024	CARTER INTERNO DESTRO		RIGHT COVER	COUVERCLE DROITE	DECKEL INTERNE RECHTSHANDER	CUBIERTA DERECHA
21	S1-40147	BLOCCAGGIO CARTER		LOCKING COVER	BLOCAGE DE LA CARTER	VERSCHLUSS	TAPA DE CIERRE
22	S2-40022	CERNIERA SINISTRA		LEFT HINGE	CHARNIERE GAUCHE	SCHARNIER LINKS	BISAGRA IZQUIERDA



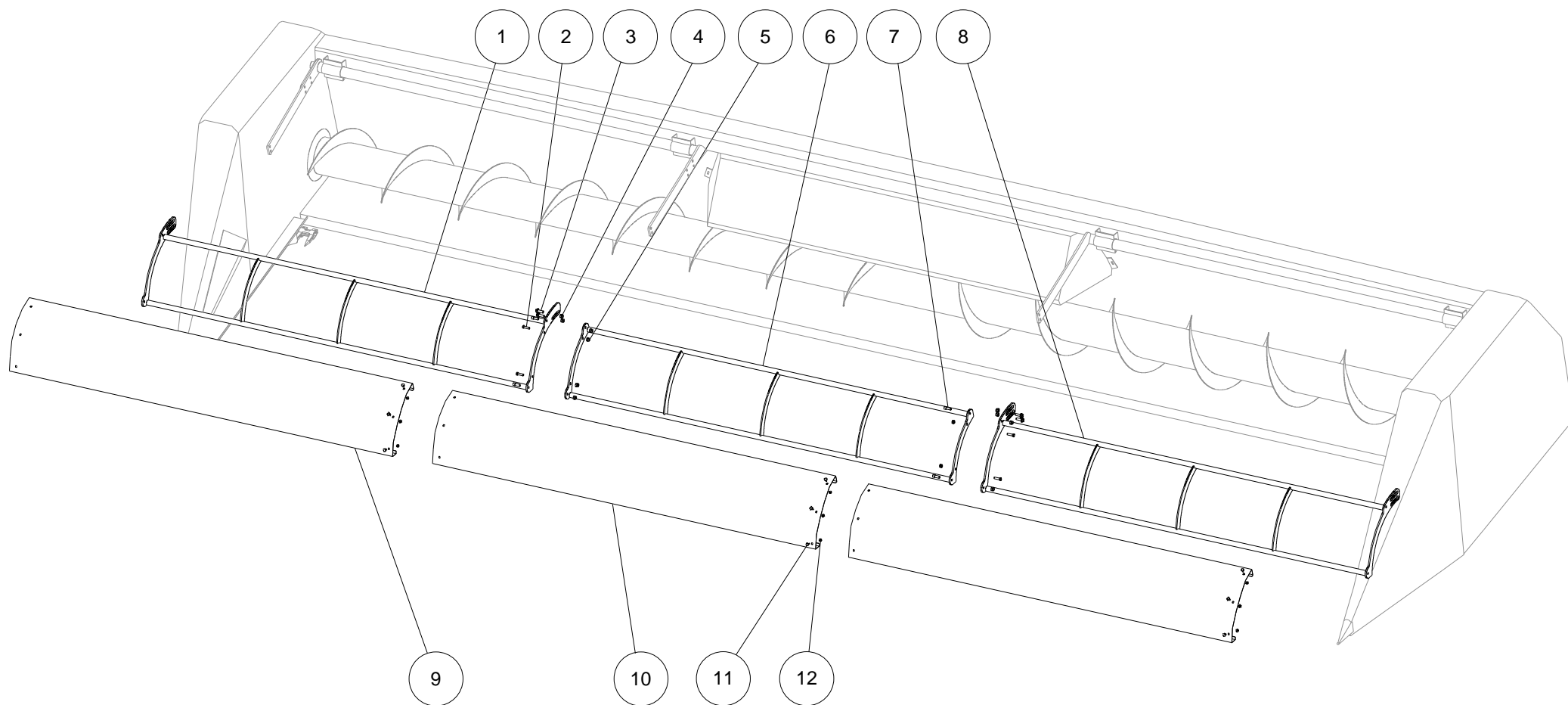
Pos	Code	Descrizione	Note	Description	Description	Beschreibung	Descripción
1	S1-40088	PIASTRA SOSTEGNO TENDINA		PLATE	PLAQUE	PLATTE	PLACA
2	PMF-000047	VITE TENSILOCK	M8X16	SECURING SCREW TENSILOCK	VIS TENSILOCK	SCHRAUBE TENSILOCK	TORNILLO TENSILOCK
3	S1-70014	STAFFA PORTATUBI POSTERIORE		BRACKET TUBE HOLDER	ETRIER	BUEGEL	SOPORTE
4	S1-70020	CHIUSURA POSTERIORE		CLOSURE	CLÔTURE	SCHLIESSEN	CIERRE
5	S1-50074	GOMMA CHIUSURA ATTACCHI GIRASOLE		RUBBER CLOSING SUNFLOWER	CAOTCHOUC	RUBBER SCHLIESSEN	CIERRE DE GOMA
6	PMF-000026	DADO AUTOBLOCCANTE	M8	SECURING NUT	ECROU INDESSERRAB	SICHERUNGSMUTTER	CONTRATUERCA
7	PMF-000034	VITE TENSILOCK	M8	SECURING SCREW TENSILOCK	VIS TENSILOCK	SCHRAUBE TENSILOCK	TORNILLO TENSILOCK



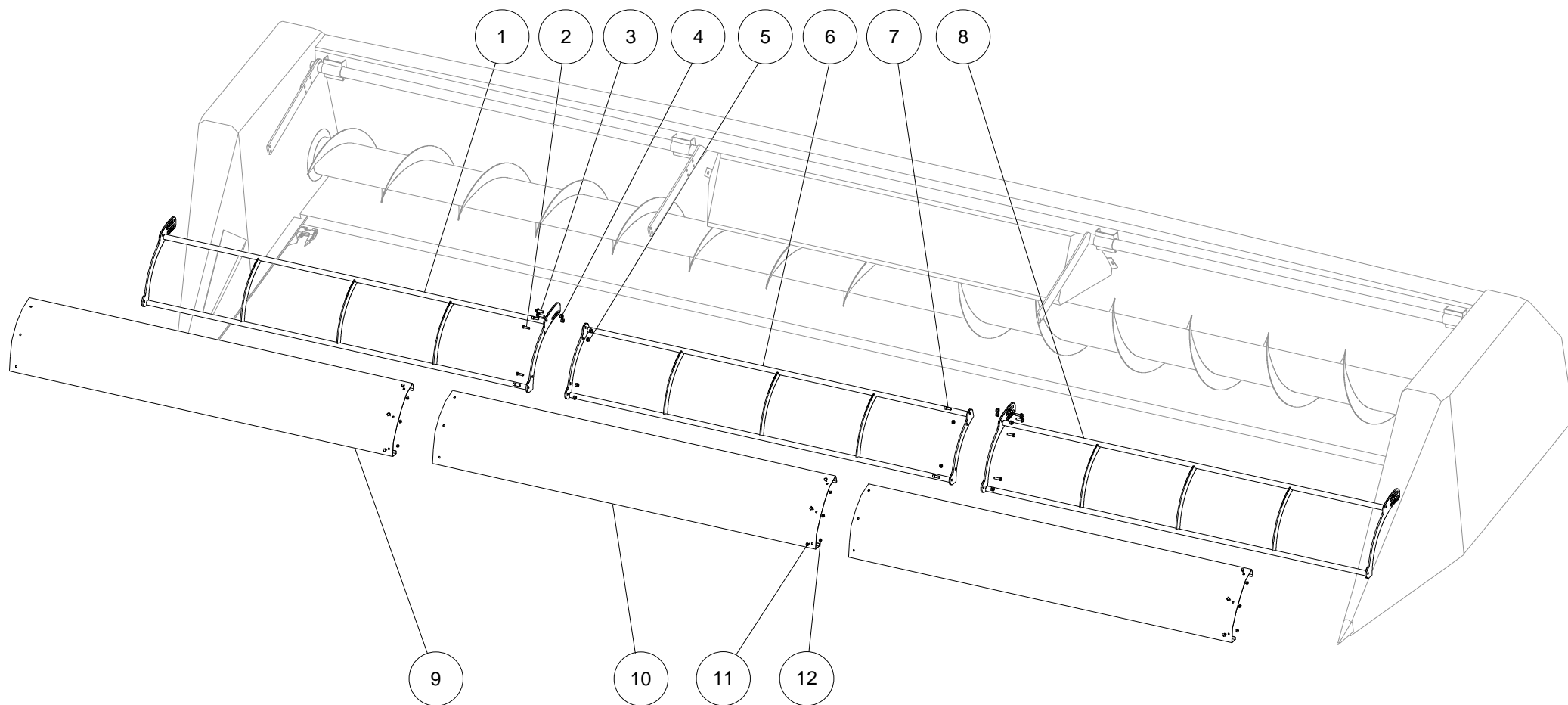
Pos	Code	Descrizione	Note	Description	Description	Beschreibung	Descripción
1	PMF-000017	VITE TBQS	M8X20	COACH SCREW	VIS A TETE BOMBEE	FLACHRUNDSCHRAUBE	TORNILLO
2	PMF-000016	DADO TENSILOCK	M8	SECURING NUT TENSILOCK	ECROU TENSILOCK	SICHERUNGSMUTTER TENSILOCK	CONTRATUERCA TENSILOCK
3	PMF-000031	DADO AUTOBLOCCANTE	M14	SECURING NUT	ECROU INDESSERRAB	SICHERUNGSMUTTER	CONTRATUERCA
4	S1-40030	CONTRAPPESO		BALLAST WEIGHT	CONTRE-POIDS	GEGENGEWICHT	CONTRAPESO
5	PMF-000041	VITE TENSILOCK	M8X25	SECURING SCREW TENSILOCK	VIS TENSILOCK	SCHRAUBE TENSILOCK	TORNILLO TENSILOCK



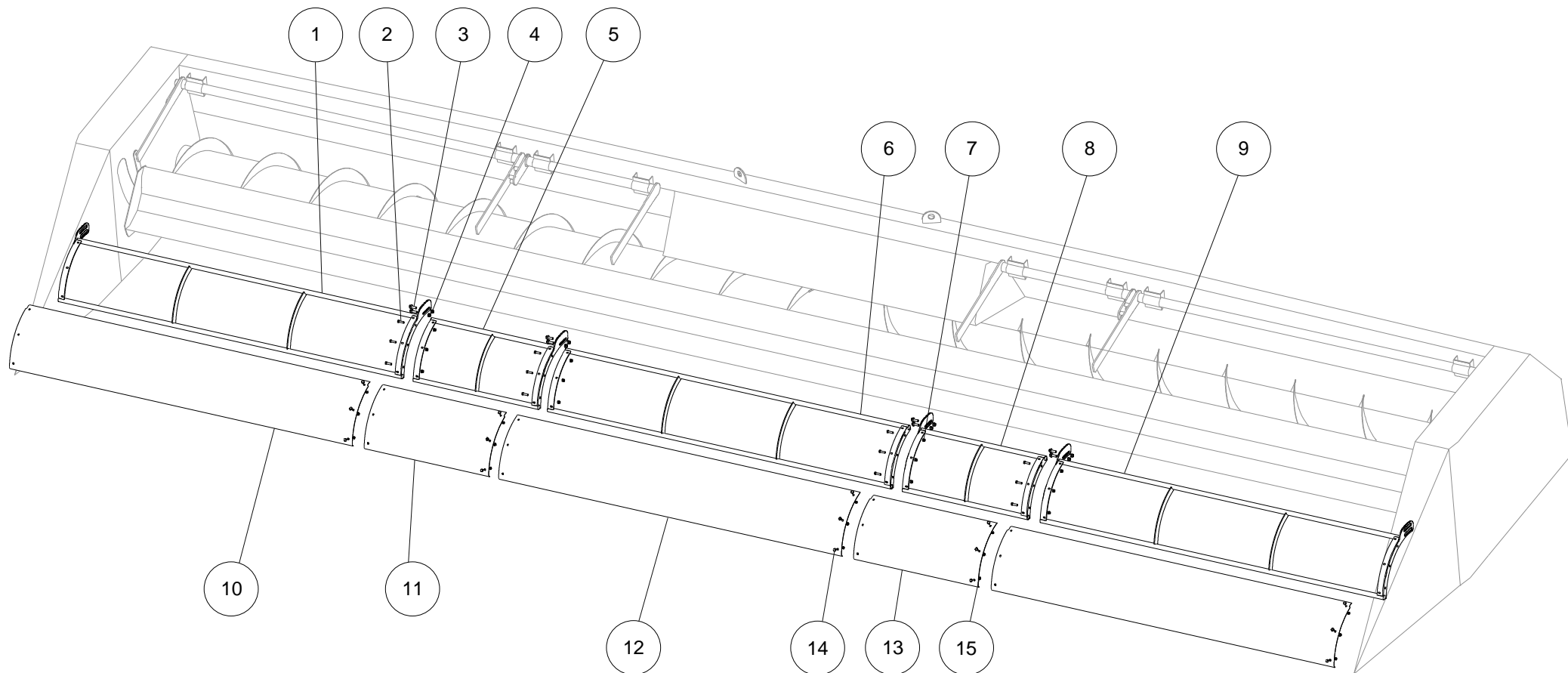
Pos	Code	Descrizione	Note	Description	Description	Beschreibung	Descripcìon
1	PMF-000005	DADO AUTOBLOCCANTE	M16	SECURING NUT	ECROU INDESSERRAB	SICHERUNGSMUTTER	CONTRATUERCA
2	S1-30014	STRISCIA COLTELLO	7500	CUTTER BAR	BARRE DE COUPE	MAEHBALKEN	BARRA DE CORTE
2	S1-30015	STRISCIA COLTELLO	9400	CUTTER BAR	BARRE DE COUPE	MAEHBALKEN	BARRA DE CORTE
2	S1-30064	STRISCIA COLTELLO	5700 - 12000 L=5726	CUTTER BAR	BARRE DE COUPE	MAEHBALKEN	BARRA DE CORTE
2	S1-30125	STRISCIA COLTELLO	12000 L=6096	CUTTER BAR	BARRE DE COUPE	MAEHBALKEN	BARRA DE CORTE
3	PMF-000012	DADO TENSILOCK	M10	SECURING NUT TENSILOCK	ECROU TENSILOCK	SICHERUNGSMUTTER TENSILOCK	CONTRATUERCA TENSILOCK
4	S1-30004	PIASTRA		PLATE	PLAQUE	PLATTE	PLACA
5	S1-30016	DENTE DOPPIO		DOUBLE FINGER	DOUBLE DENT	DOPPEL ZAHN	DOBLE DIENTE
6	PMF-000013	VITE TE	M10X35	HEXAGONAL SCREW	VIS SIX PANS	SECHSKANTSCHRAUBE	TORNILLO
7	PMF-000014	VITE TE	M6X16	HEXAGONAL SCREW	VIS SIX PANS	SECHSKANTSCHRAUBE	TORNILLO
8	S1-30017	FIAMMA		KNIFE SECTION	LAME	MESSER	CUCHILLO
9	02.2052.00	DADO AUTOBLOCCANTE	M6	SECURING NUT	ECROU INDESSERRAB	SICHERUNGSMUTTER	CONTRATUERCA
10	PMF-000016	DADO TENSILOCK	M8	SECURING NUT TENSILOCK	ECROU TENSILOCK	SICHERUNGSMUTTER TENSILOCK	CONTRATUERCA TENSILOCK
11	S2-40012	PUNTA ANTERIORE COMPLETA DESTRA		COMPLETE LATERAL RIGHT POINT	POINTE DROITE COMPLETE	ABTEILERSPITZE RECHTS KOMPLET	PUNTA DERECHA COMPLETA
11	S2-40013	PUNTA ANTERIORE COMPLETA SINISTRA		COMPLETE LATERAL LEFT POINT	POINTE GAUCHE COMPLETE	ABTEILERSPITZE LINKS KOMPLETT	PUNTA IZQUIERDA COMPLETA
12	S2-40006	PUNTA COMPLETA		COMPLETE POINT	POINTE COMPLETE	ABTEILERSPITZE KOMPLETT	PUNTA LATERALCOMPLETA
13	PMF-000266	VITE TBQS	M8X20	COACH SCREW	VIS A TETE BOMBEE	FLACHRUNDSCHRAUBE	TORNILLO
14	PMF-000436	VITE TSEI	M10X45	COUNTERSUNK SCREW	VIS A TETE FRAISEE	SENKSCHRAUBE	TORNILLO
15	15.1032.00	DENTE DOPPIO INIZIALE		DOUBLE DENT	DOUBLE TOOTH	DOPPEL ZAHN	DOBLE DIENTE
16	S2-30007	LAMA DI TAGLIO COMPLETA	7500	KNIFE	LAME DE COUPE	MESSER	CUCHILLA DE CORTE
16	S2-30008	LAMA DI TAGLIO COMPLETA	9400	KNIFE	LAME DE COUPE	MESSER	CUCHILLA DE CORTE
16	S2-30009	LAMA DI TAGLIO COMPLETA	5700 - 12000 L=5726	KNIFE	LAME DE COUPE	MESSER	CUCHILLA DE CORTE
16	S2-30025	LAMA DI TAGLIO COMPLETA	12000 L=6096	KNIFE	LAME DE COUPE	MESSER	CUCHILLA DE CORTE



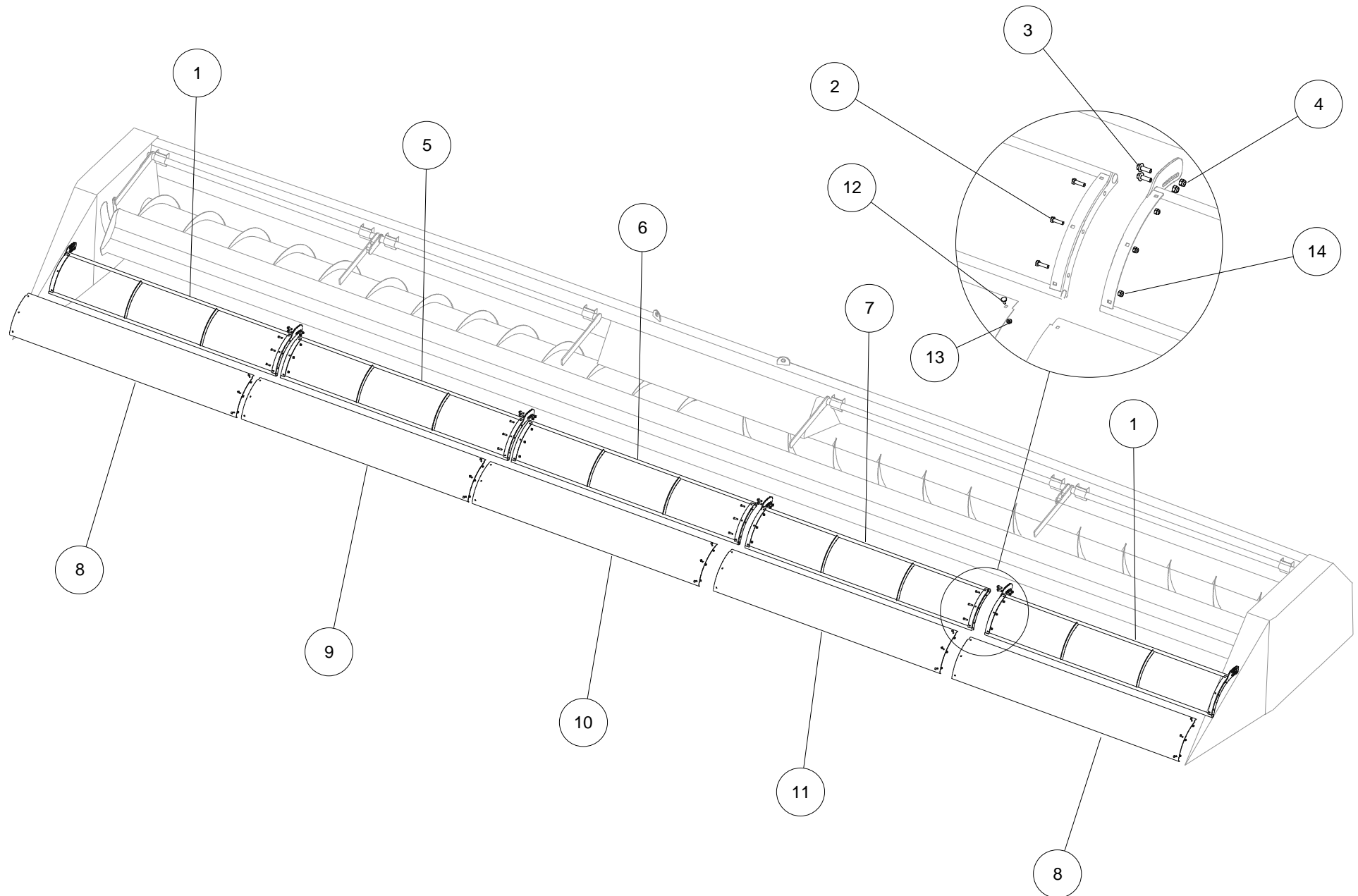
Pos	Code	Descrizione	Note	Description	Description	Beschreibung	Descripción
1	S2-80032	TELAIO COPERTURA DESTRA		RIGHT COVER FRAME	CHASSIS COUVERTURE DROITE	RAHMEN DECKEL RECHTS	CHASIS COBERTURA DERECHA
2	PMF-000013	VITE TE	M10X35	HEXAGONAL SCREW	VIS SIX PANS	SECHSKANTSCHRAUBE	TORNILLO
3	PMF-000252	VITE TENSILOCK	M12X35	SECURING SCREW TENSILOCK	VIS TENSILOCK	SCHRAUBE TENSILOCK	TORNILLO TENSILOCK
4	PMF-000414	DADO AUTOBLOCCANTE	M12	SECURING NUT	ECROU INDESSERRAB	SICHERUNGSMUTTER	CONTRATUERCA
5	PMF-000068	DADO AUTOBLOCCANTE	M10	SECURING NUT	ECROU INDESSERRAB	SICHERUNGSMUTTER	CONTRATUERCA
6	S2-80025	TELAIO COPERTURA CENTRALE		CENTRAL COVER FRAME	CHASSIS COUVERTURE CENTRALE	RAHMEN DECKEL MITTE	CHASIS COBERTURA CENTRALE
7	PMF-000078	VITE TCEI	M12X30	SOCKET HEAD SCREW	VIS CYLINDRIQUE	ZYLINDERSCHRAUBE	TORNILLO
8	S2-80033	TELAIO COPERTURA SINISTRA		LEFT COVER FRAME	CHASSIS COUVERTURE GAUCHE	RAHMEN DECKEL LINKS	CHASIS COBERTURA IZQUIERDA
9	S1-80095	COPERTURA LATERALE		LATERAL COVER	COUVERTURE LATERALE	SEITENDECKEL	CUBIERTA LATERALE
10	S1-80086	COPERURA CENTRALE		CENTRAL COVER	COUVERTURE CENTRALE	DECKEL ZENTRAL	CUBIERTA CENTRALE
11	PMF-000017	VITE TBQS	M8X20	COACH SCREW	VIS A TETE BOMBEE	FLACHRUNDSCHRAUBE	TORNILLO
12	PMF-000016	DADO TENSILOCK	M8	SECURING NUT TENSILOCK	ECROU TENSILOCK	SICHERUNGSMUTTER TENSILOCK	CONTRATUERCA TENSILOCK



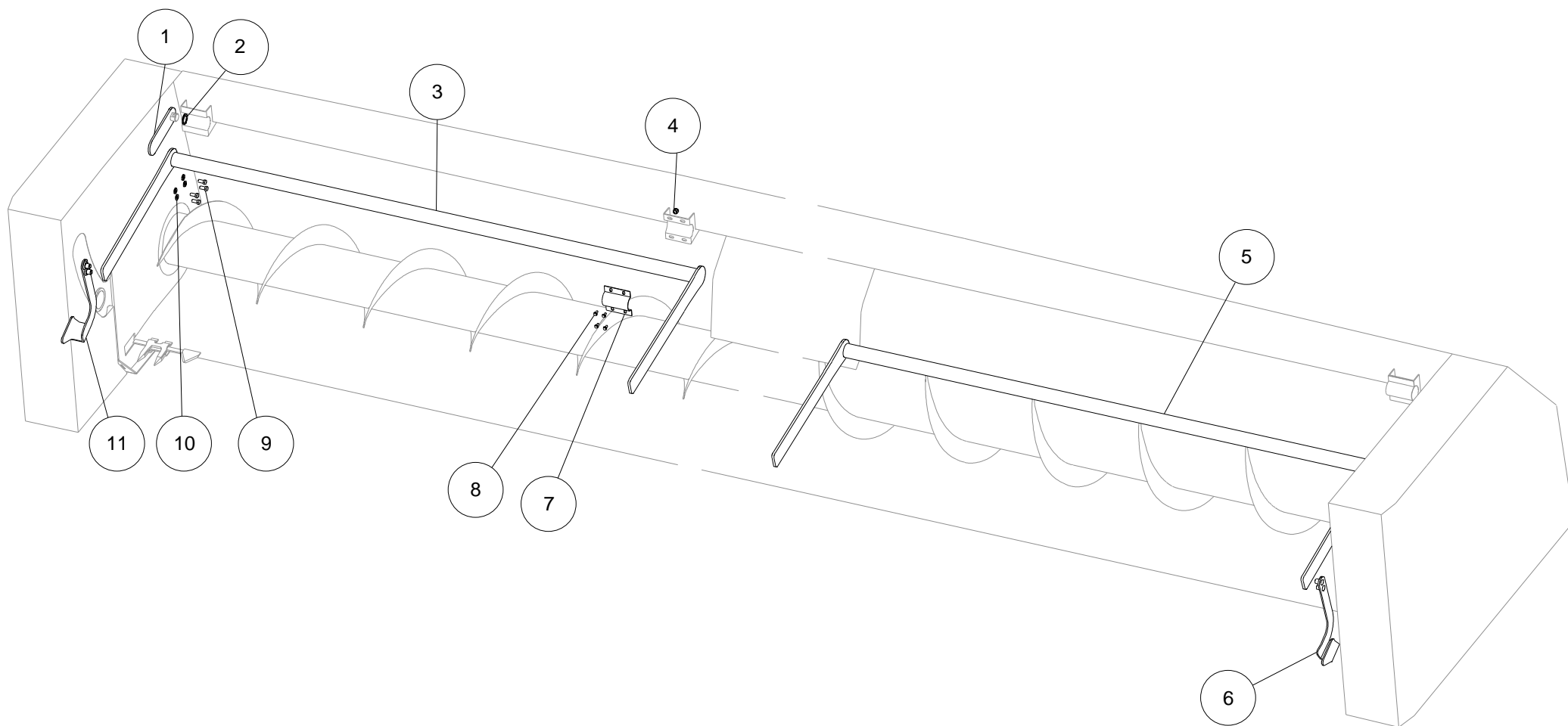
Pos	Code	Descrizione	Note	Description	Description	Beschreibung	Descripción
1	S2-80026	TELAIO COPERTURA DESTRA		RIGHT COVER FRAME	CHASSIS COUVERTURE DROITE	RAHMEN DECKEL RECHTS	CHASIS COBERTURA DERECHA
2	PMF-000013	VITE TE	M10X35	HEXAGONAL SCREW	VIS SIX PANS	SECHSKANTSCHRAUBE	TORNILLO
3	PMF-000252	VITE TENSILOCK	M12X35	SECURING SCREW TENSILOCK	VIS TENSILOCK	SCHRAUBE TENSILOCK	TORNILLO TENSILOCK
4	PMF-000414	DADO AUTOBLOCCANTE	M12	SECURING NUT	ECROU INDESSERRAB	SICHERUNGSMUTTER	CONTRATUERCA
5	PMF-000068	DADO AUTOBLOCCANTE	M10	SECURING NUT	ECROU INDESSERRAB	SICHERUNGSMUTTER	CONTRATUERCA
6	S2-80025	TELAIO COPERTURA CENTRALE		CENTRAL COVER FRAME	CHASSIS COUVERTURE CENTRALE	RAHMEN DECKEL MITTE	CHASIS COBERTURA CENTRALE
7	PMF-000078	VITE TCEI	M12X30	SOCKET HEAD SCREW	VIS CYLINDRIQUE	ZYLINDERSCHRAUBE	TORNILLO
8	S2-80027	TELAIO COPERTURA SINISTRA		LEFT COVER FRAME	CHASSIS COUVERTURE GAUCHE	RAHMEN DECKEL LINKS	CHASIS COBERTURA IZQUIERDA
9	S1-80079	COPERTURA LATERALE		LATERAL COVER	COUVERTURE LATERALE	SEITENDECKEL	CUBIERTA LATERALE
10	S1-80086	COPERURA CENTRALE		CENTRAL COVER	COUVERTURE CENTRALE	DECKEL ZENTRAL	CUBIERTA CENTRALE
11	PMF-000017	VITE TBQS	M8X20	COACH SCREW	VIS A TETE BOMBEE	FLACHRUNDSCHRAUBE	TORNILLO
12	PMF-000016	DADO TENSILOCK	M8	SECURING NUT TENSILOCK	ECROU TENSILOCK	SICHERUNGSMUTTER TENSILOCK	CONTRATUERCA TENSILOCK



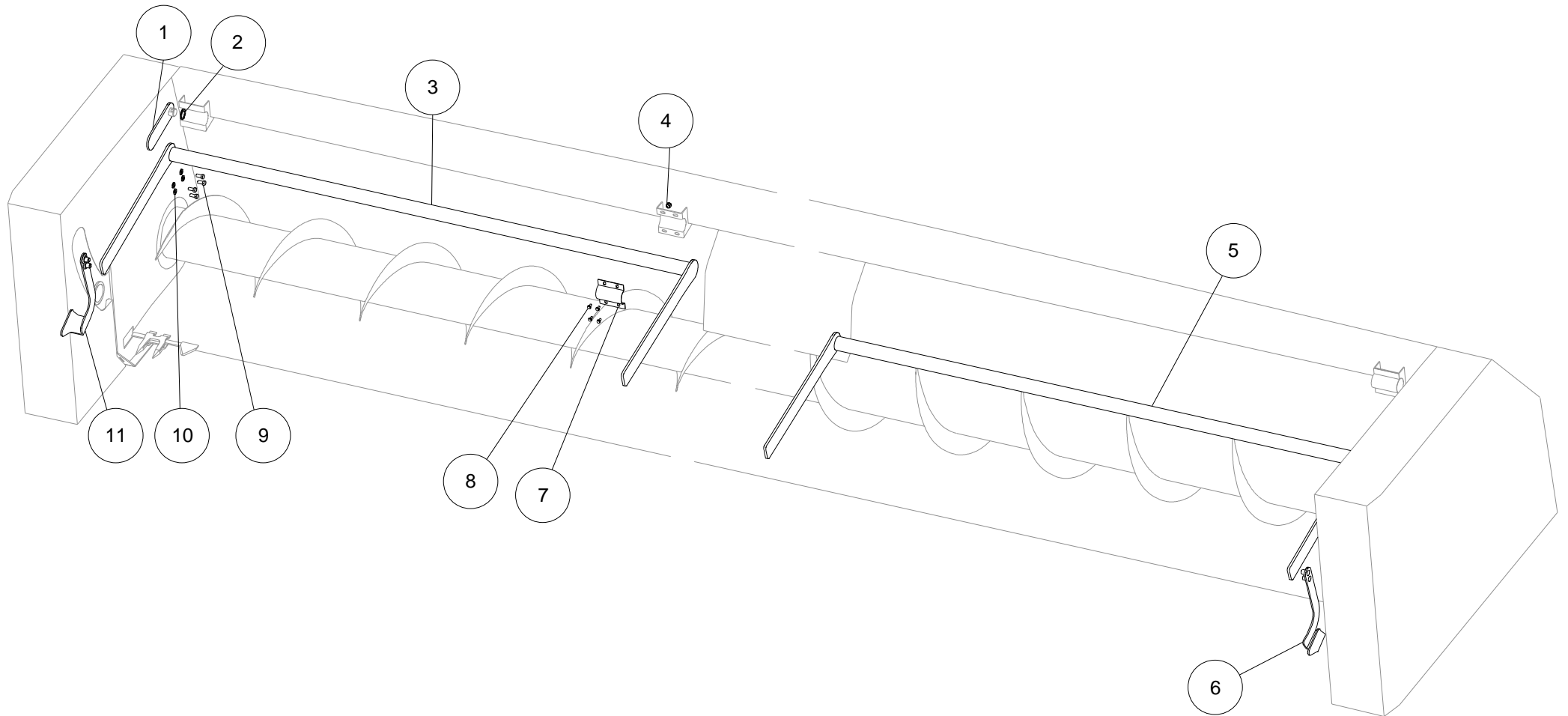
Pos	Code	Descrizione	Note	Description	Description	Beschreibung	Descripción
1	S2-80026	TELAIO COPERTURA DESTRA		RIGHT COVER FRAME	CHASSIS COUVERTURE DROITE	RAHMEN DECKEL RECHTS	CHASIS COBERTURA DERECHA
2	PMF-000013	VITE TE	M10X35	HEXAGONAL SCREW	VIS SIX PANS	SECHSKANTSCHRAUBE	TORNILLO
3	PMF-000252	VITE TENSILOCK	M12X35	SECURING SCREW TENSILOCK	VIS TENSILOCK	SCHRAUBE TENSILOCK	TORNILLO TENSILOCK
4	PMF-000414	DADO AUTOBLOCCANTE	M12	SECURING NUT	ECROU INDESSERRAB	SICHERUNGSMUTTER	CONTRATUERCA
5	S2-80028	TELAIO COPERTURA CENTRALE DESTRA		CENTRAL RIGHT COVER FRAME	CHASSIS COUVERTURE CENTRALE DROITE	RAHMEN DECKEL MITTE RECHTS	CHASIS COBERTURA CENTRALE DERECHA
6	S2-80025	TELAIO COPERTURA CENTRALE		CENTRAL COVER FRAME	CHASSIS COUVERTURE CENTRALE	RAHMEN DECKEL MITTE	CHASIS COBERTURA CENTRALE
7	PMF-000068	DADO AUTOBLOCCANTE	M10	SECURING NUT	ECROU INDESSERRAB	SICHERUNGSMUTTER	CONTRATUERCA
8	S2-80029	TELAIO COPERTURA CENTRALE SINISTRA		CENTRAL LEFT COVER FRAME	CHASSIS COUVERTURE CENTRALE GAUCHE	RAHMEN DECKEL MITTE LINKS	CHASIS COBERTURA CENTRALE IZQUIERDA
9	S2-80027	TELAIO COPERTURA SINISTRA		LEFT COVER FRAME	CHASSIS COUVERTURE GAUCHE	RAHMEN DECKEL LINKS	CHASIS COBERTURA IZQUIERDA
10	S1-80079	COPERTURA LATERALE		LATERAL COVER	COUVERTURE LATERALE	SEITENDECKEL	CUBIERTA LATERALE
11	S1-80087	COPERURA CENTRALE DESTRA		CENTRAL RIGHTCOVER	COUVERTURE CENTRALE DROITE	DECKEL ZENTRAL RECHTS	CUBIERTA CENTRALE
12	S1-80086	COPERURA CENTRALE		CENTRAL COVER	COUVERTURE CENTRALE	DECKEL ZENTRAL	CUBIERTA CENTRALE
13	S1-80088	COPERURA CENTRALE SINISTRA		CENTRAL LEFT COVER	COUVERTURE CENTRALE GAUCHE	DECKEL ZENTRAL LINKS	CUBIERTA CENTRALE
14	PMF-000017	VITE TBQS	M8X20	COACH SCREW	VIS A TETE BOMBEE	FLACHRUNDSCHRAUBE	TORNILLO
15	PMF-000016	DADO TENSILOCK	M8	SECURING NUT TENSILOCK	ECROU TENSILOCK	SICHERUNGSMUTTER TENSILOCK	CONTRATUERCA TENSILOCK



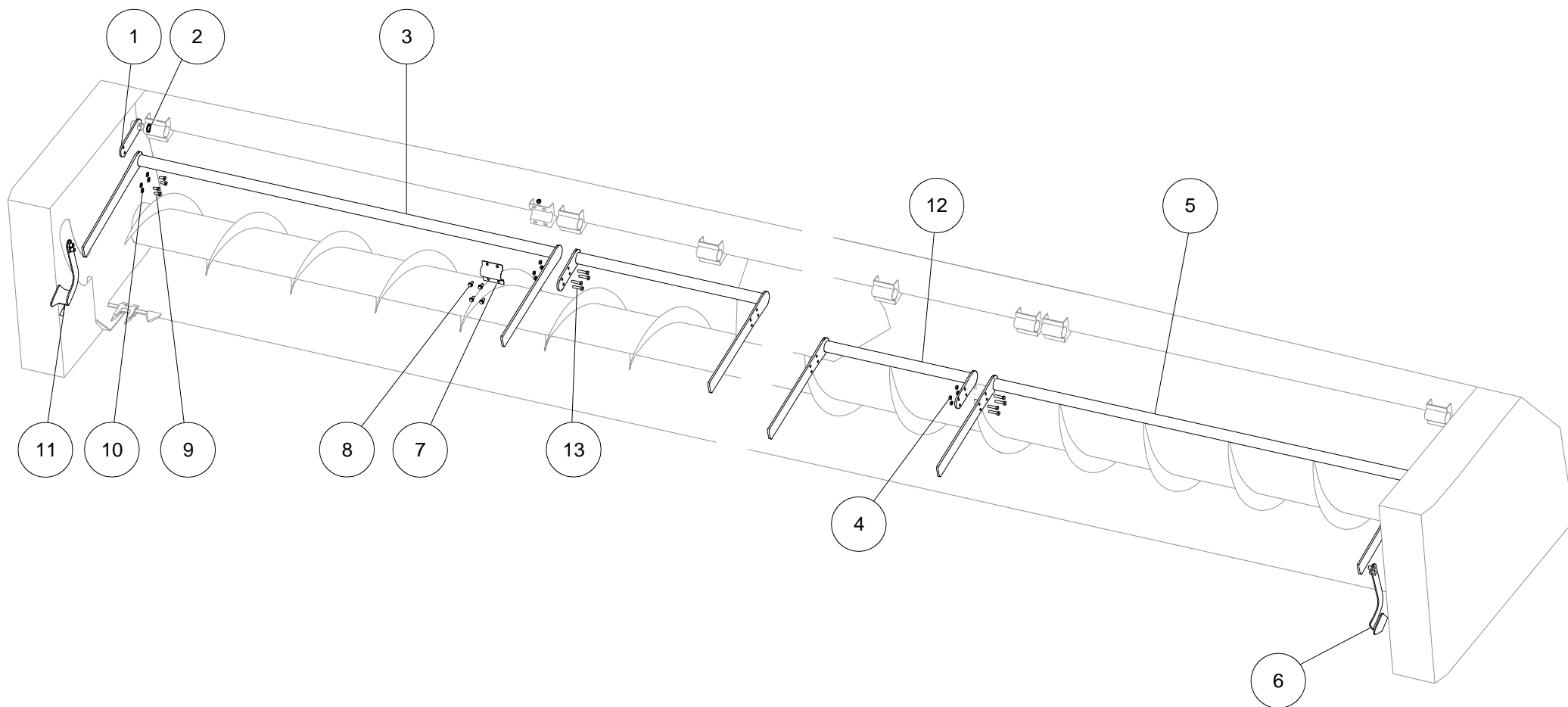
Pos	Code	Descrizione	Note	Description	Description	Beschreibung	Descripcìon
1	S2-80026	TELAIO COPERTURA DESTRA		RIGHT COVER FRAME	CHASSIS COUVERTURE DROITE	RAHMEN DECKEL RECHTS	CHASIS COBERTURA DERECHA
2	PMF-000013	VITE TE	M10X35	HEXAGONAL SCREW	VIS SIX PANS	SECHSKANTSCHRAUBE	TORNILLO
3	PMF-000252	VITE TENSILOCK	M12X35	SECURING SCREW TENSILOCK	VIS TENSILOCK	SCHRAUBE TENSILOCK	TORNILLO TENSILOCK
4	PMF-000414	DADO AUTOBLOCCANTE	M12	SECURING NUT	ECROU INDESSERRAB	SICHERUNGSMUTTER	CONTRATUERCA
5	S2-80053	TELAIO COPERTURA SINISTRA		LEFT COVER FRAME	CHASSIS COUVERTURE GAUCHE	RAHMEN DECKEL LINKS	CHASIS COBERTURA IZQUIERDA
6	S2-80025	TELAIO COPERTURA CENTRALE		CENTRAL COVER FRAME	CHASSIS COUVERTURE CENTRALE	RAHMEN DECKEL MITTE	CHASIS COBERTURA CENTRALE
7	S2-80054	TELAIO COPERTURA DESTRA		RIGHT COVER FRAME	CHASSIS COUVERTURE DROITE	RAHMEN DECKEL RECHTS	CHASIS COBERTURA DERECHA
8	S1-80079	COPERTURA LATERALE		LATERAL COVER	COUVERTURE LATERALE	SEITENDECKEL	CUBIERTA LATERALE
9	S1-80112	COPERTURA SINISTRA		LEFT COVER	COUVERTURE GAUCHE	DECKEL LINKS	CUBIERTA IZQUIERDA
10	S1-80086	COPERURA CENTRALE		CENTRAL COVER	COUVERTURE CENTRALE	DECKEL ZENTRAL	CUBIERTA CENTRALE
11	S1-80113	COPERTURA DESTRA		RIGHT COVER	COUVERCLE DROITE	DECKEL RECHTS	CUBIERTA DERECHA
12	PMF-000017	VITE TBQS	M8X20	COACH SCREW	VIS A TETE BOMBEE	FLACHRUNDSCHRAUBE	TORNILLO
13	PMF-000016	DADO TENSILOCK	M8	SECURING NUT TENSILOCK	ECROU TENSILOCK	SICHERUNGSMUTTER TENSILOCK	CONTRATUERCA TENSILOCK
14	PMF-000068	DADO AUTOBLOCCANTE	M10	SECURING NUT	ECROU INDESSERRAB	SICHERUNGSMUTTER	CONTRATUERCA



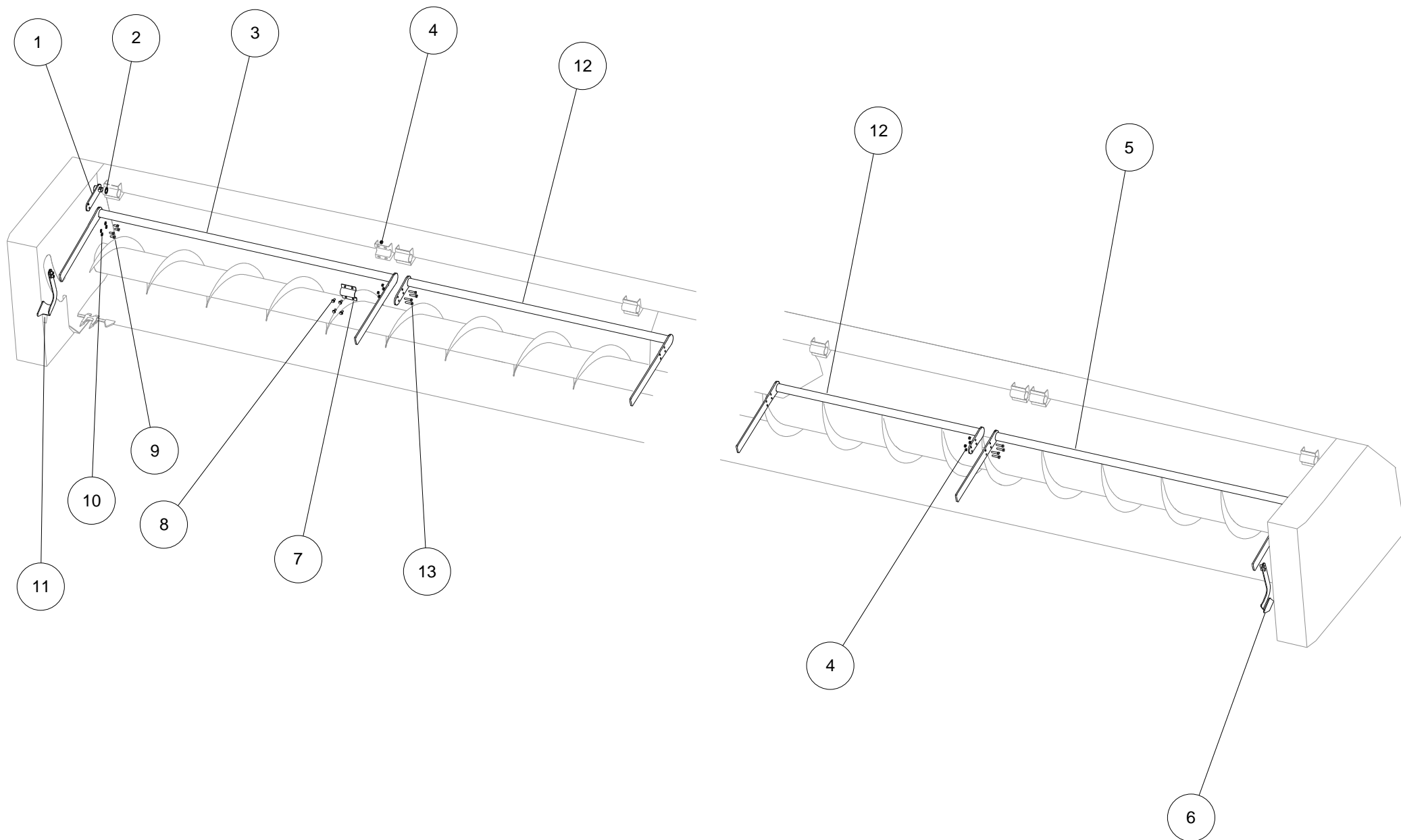
Pos	Code	Descrizione	Note	Description	Description	Beschreibung	Descripcìon
1	S1-80050	STAFFA		BRACKET	SUPPORT	BUEGEL	SOPORTE
2	PMF-000120	ANELLO ELASTICO	E35X2,5	CIRCLIP	CIRCLIP	SICHERUNGSRING	ANILLO ELASTICO
3	S2-80030	BRACCIO SOSTEGNO COPERTURA ASPO DESTI		RIGHT SUPPORTING ARM	BRAS DROITE	AUSLEGER RECHTS	BRAZO DERECHO
4	PMF-000414	DADO AUTOBLOCCANTE	M12	SECURING NUT	ECROU INDESSERRAB	SICHERUNGSMUTTER	CONTRATUERCA
5	S2-80031	BRACCIO SOSTEGNO COPERTURA ASPO SINISTRA		LEFT SUPPORTING ARM	BRAS GAUCHE	AUSLEGER LINKS	BRAZO IZQUIERDO
6	S2-80019	STAFFA SINISTRA SOSTEGNO COPERTURA ASP		LEFT BRACKET	SUPPORT GAUCHE	BUGELHALTER LINKS	SOPORTE IZQUIERDO
7	S1-10074	SUPPORTO		BRACKET	SUPPORT	ABSTUZUNG	SOPORTE
8	PMF-000053	VITE TENSILOCK	M12X25	SECURING SCREW TENSILOCK	VIS TENSILOCK	SCHRAUBE TENSILOCK	TORNILLO TENSILOCK
9	PMF-000188	VITE TE	M12X25	HEXAGONAL SCREW	VIS SIX PANS	SECHSKANTSCHRAUBE	TORNILLO
10	PMF-000089	RONDELLA	13X24X2,5	WASHER	RONDELLE	SCHEIBE	ARANDELLA
11	S2-80018	STAFFA DESTRA SOSTEGNO COPERTURA ASPC		RIGHT BRACKET	SUPPORT DROITE	BUGELHALTER RECHTS	SOPORTE DERECHO



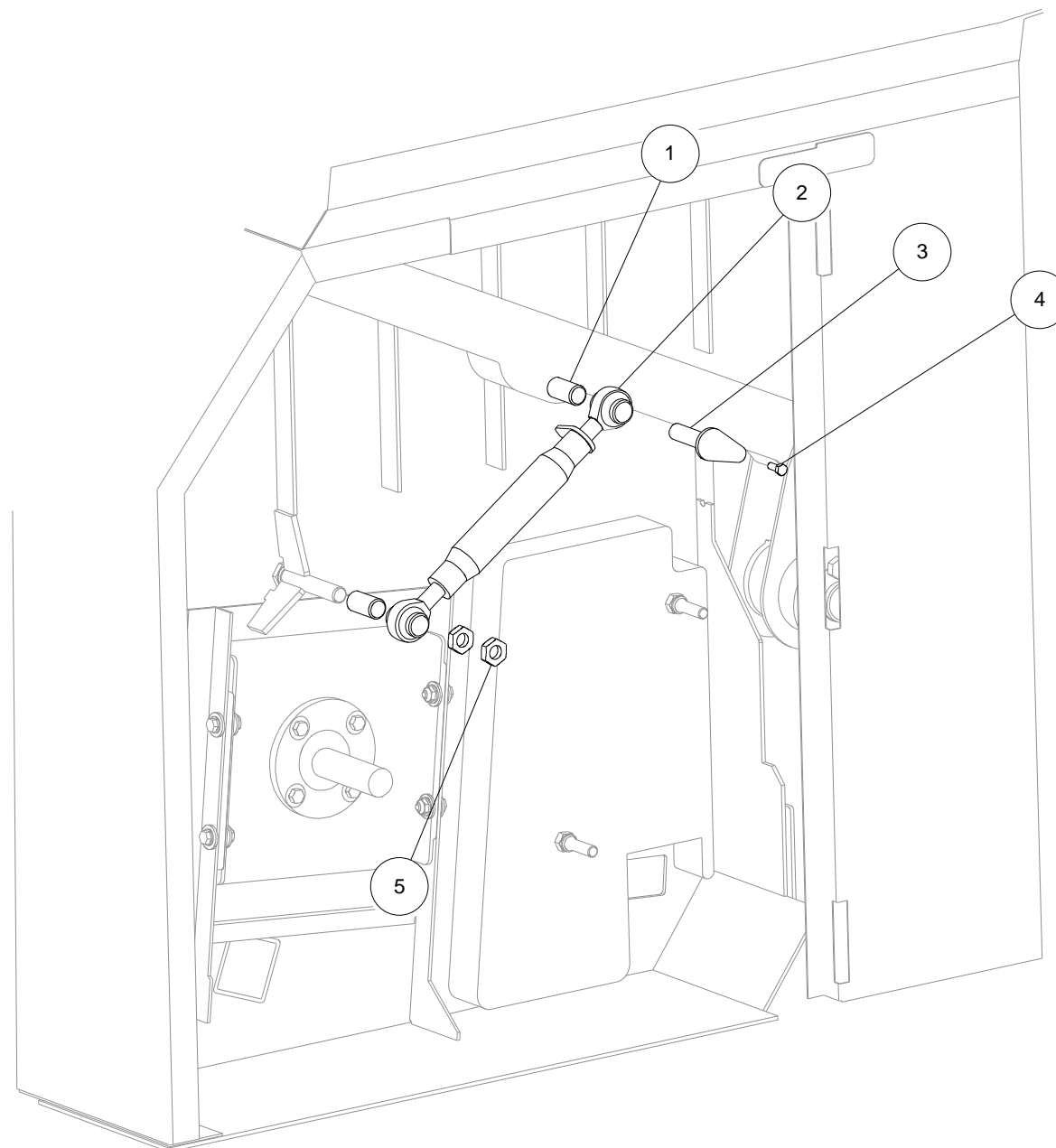
Pos	Code	Descrizione	Note	Description	Description	Beschreibung	Descripcìon
1	S1-80050	STAFFA		BRACKET	SUPPORT	BUEGEL	SOPORTE
2	PMF-000120	ANELLO ELASTICO	E35X2,5	CIRCLIP	CIRCLIP	SICHERUNGSRING	ANILLO ELASTICO
3	S2-80011	BRACCIO SOSTEGNO COPERTURA ASPO DESTI		RIGHT SUPPORTING ARM	BRAS DROITE	AUSLEGER RECHTS	BRAZO DERECHO
4	PMF-000414	DADO AUTOBLOCCANTE	M12	SECURING NUT	ECROU INDESSERRAB	SICHERUNGSMUTTER	CONTRATUERCA
5	S2-80020	BRACCIO SOSTEGNO COPERTURA SINISTRA		LEFT SUPPORTING ARM	BRAS GAUCHE	AUSLEGER LINKS	BRAZO IZQUIERDO
6	S2-80019	STAFFA SINISTRA SOSTEGNO COPERTURA ASP		LEFT BRACKET	SUPPORT GAUCHE	BUGELHALTER LINKS	SOPORTE IZQUIERDO
7	S1-10074	SUPPORTO		BRACKET	SUPPORT	ABSTUZUNG	SOPORTE
8	PMF-000053	VITE TENSILOCK	M12X25	SECURING SCREW TENSILOCK	VIS TENSILOCK	SCHRAUBE TENSILOCK	TORNILLO TENSILOCK
9	PMF-000188	VITE TE	M12X25	HEXAGONAL SCREW	VIS SIX PANS	SECHSKANTSCHRAUBE	TORNILLO
10	PMF-000089	RONDELLA	13X24X2,5	WASHER	RONDELLE	SCHEIBE	ARANDELLA
11	S2-80018	STAFFA DESTRA SOSTEGNO COPERTURA ASPC		RIGHT BRACKET	SUPPORT DROITE	BUGELHALTER RECHTS	SOPORTE DERECHO



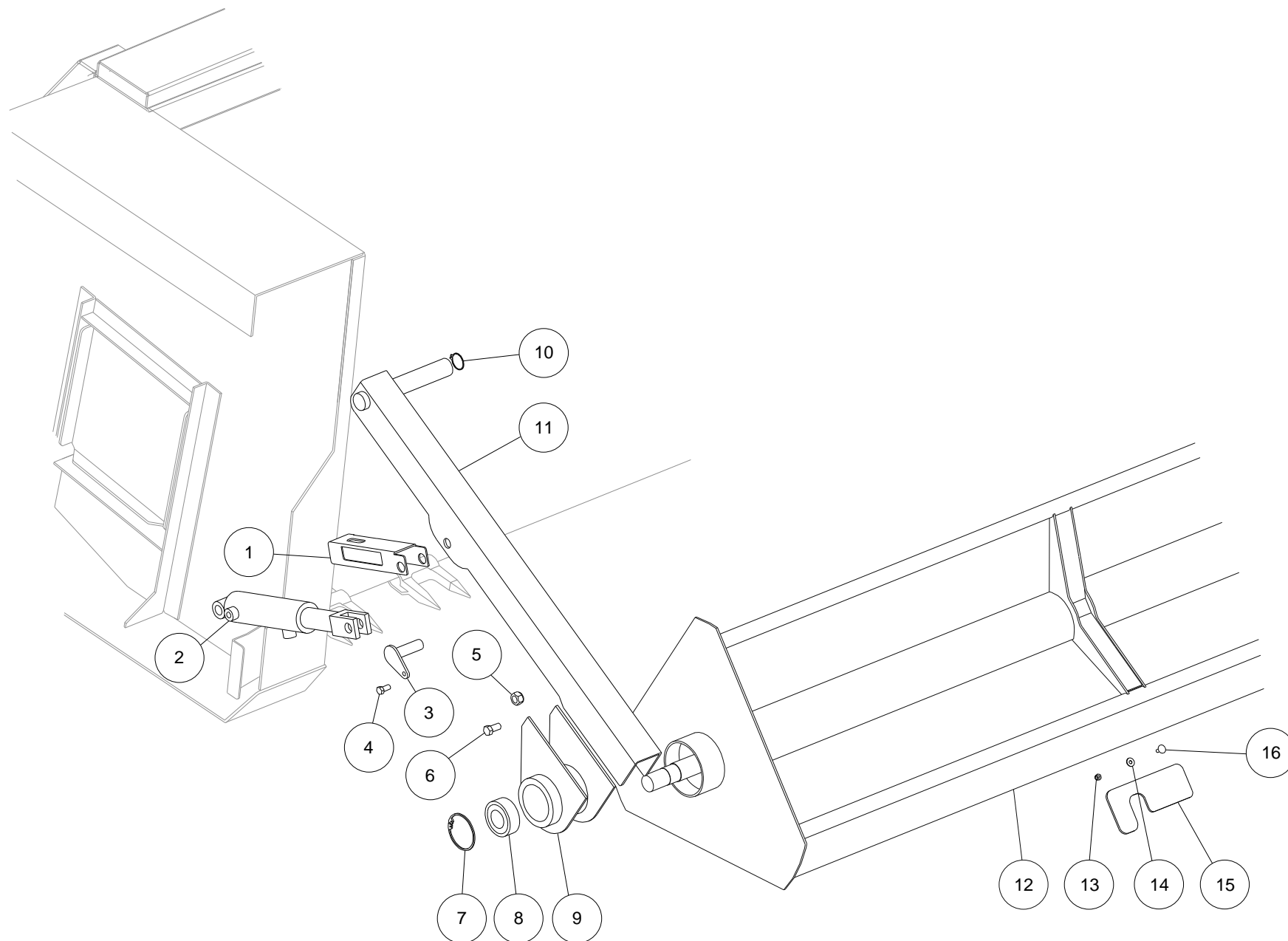
Pos	Code	Descrizione	Note	Description	Description	Beschreibung	Descripcìon
1	S1-80050	STAFFA		BRACKET	SUPPORT	BUEGEL	SOPORTE
2	PMF-000120	ANELLO ELASTICO	E35X2,5	CIRCLIP	CIRCLIP	SICHERUNGSRING	ANILLO ELASTICO
3	S2-80011	BRACCIO SOSTEGNO COPERTURA ASPO DESTI		RIGHT SUPPORTING ARM	BRAS DROITE	AUSLEGER RECHTS	BRAZO DERECHO
4	PMF-000414	DADO AUTOBLOCCANTE	M12	SECURING NUT	ECROU INDESSERRAB	SICHERUNGSMUTTER	CONTRATUERCA
5	S2-80020	BRACCIO SOSTEGNO COPERTURA SINISTRA		LEFT SUPPORTING ARM	BRAS GAUCHE	AUSLEGER LINKS	BRAZO IZQUIERDO
6	S2-80019	STAFFA SINISTRA SOSTEGNO COPERTURA ASP		LEFT BRACKET	SUPPORT GAUCHE	BUGELHALTER LINKS	SOPORTE IZQUIERDO
7	S1-10074	SUPPORTO		BRACKET	SUPPORT	ABSTUZUNG	SOPORTE
8	PMF-000053	VITE TENSILOCK	M12X25	SECURING SCREW TENSILOCK	VIS TENSILOCK	SCHRAUBE TENSILOCK	TORNILLO TENSILOCK
9	PMF-000188	VITE TE	M12X25	HEXAGONAL SCREW	VIS SIX PANS	SECHSKANTSCHRAUBE	TORNILLO
10	PMF-000089	RONDELLA	13X24X2,5	WASHER	RONDELLE	SCHEIBE	ARANDELLA
11	S2-80018	STAFFA DESTRA SOSTEGNO COPERTURA ASPC		RIGHT BRACKET	SUPPORT DROITE	BUGELHALTER RECHTS	SOPORTE DERECHO
12	S2-80015	BRACCIO SOSTEGNO COPERTURA ASPO CENTRALE		MIDDLE SUPPORTING ARM	BRAS CENTRAL	AUSLEGER ZENTRAL	BRAZO CENTRALE
13	PMF-000193	VITE TE	M12X80	HEXAGONAL SCREW	VIS SIX PANS	SECHSKANTSCHRAUBE	TORNILLO



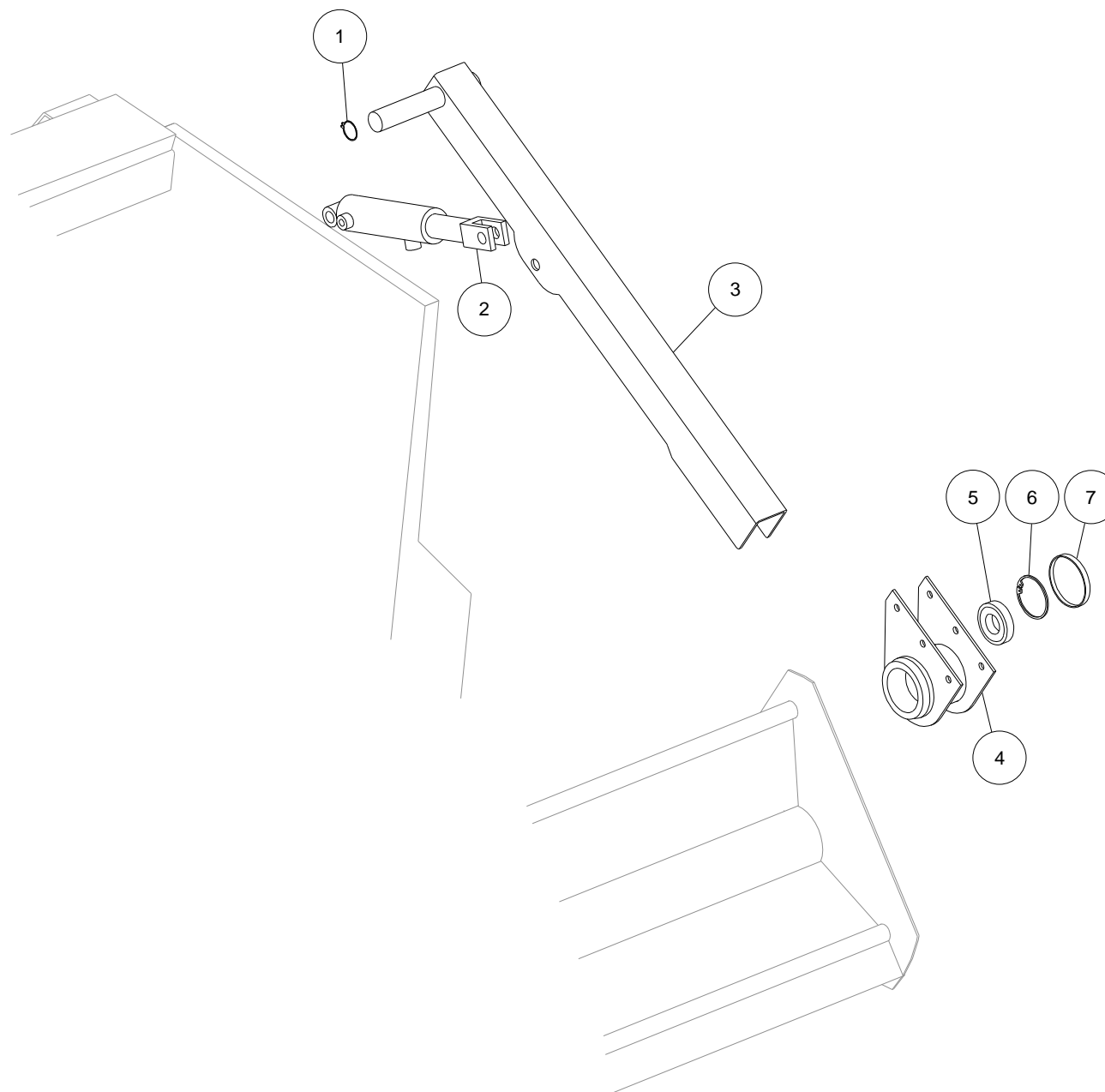
Pos	Code	Descrizione	Note	Description	Description	Beschreibung	Descripción
1	S1-80050	STAFFA		BRACKET	SUPPORT	BUEGEL	SOPORTE
2	PMF-000120	ANELLO ELASTICO	E35X2,5	CIRCLIP	CIRCLIP	SICHERUNGSRING	ANILLO ELASTICO
3	S2-80011	BRACCIO SOSTEGNO COPERTURA ASPO DESTI		RIGHT SUPPORTING ARM	BRAS DROITE	AUSLEGER RECHTS	BRAZO DERECHO
4	PMF-000414	DADO AUTOBLOCCANTE	M12	SECURING NUT	ECROU INDESSERRAB	SICHERUNGSMUTTER	CONTRATUERCA
5	S2-80020	BRACCIO SOSTEGNO COPERTURA SINISTRA		LEFT SUPPORTING ARM	BRAS GAUCHE	AUSLEGER LINKS	BRAZO IZQUIERDO
6	S2-80019	STAFFA SINISTRA SOSTEGNO COPERTURA ASP		LEFT BRACKET	SUPPORT GAUCHE	BUGELHALTER LINKS	SOPORTE IZQUIERDO
7	S1-10074	SUPPORTO		BRACKET	SUPPORT	ABSTUZUNG	SOPORTE
8	PMF-000053	VITE TENSILOCK	M12X25	SECURING SCREW TENSILOCK	VIS TENSILOCK	SCHRAUBE TENSILOCK	TORNILLO TENSILOCK
9	PMF-000188	VITE TE	M12X25	HEXAGONAL SCREW	VIS SIX PANS	SECHSKANTSCHRAUBE	TORNILLO
10	PMF-000089	RONDELLA	13X24X2,5	WASHER	RONDELLE	SCHEIBE	ARANDELLA
11	S2-80018	STAFFA DESTRA SOSTEGNO COPERTURA ASPC		RIGHT BRACKET	SUPPORT DROITE	BUGELHALTER RECHTS	SOPORTE DERECHO
12	S2-80037	BRACCIO SOSTEGNO COPERTURA SINISTRA		SUPPORTING ARM	BRAS	AUSLEGER	BRAZO
13	PMF-000193	VITE TE	M12X80	HEXAGONAL SCREW	VIS SIX PANS	SECHSKANTSCHRAUBE	TORNILLO



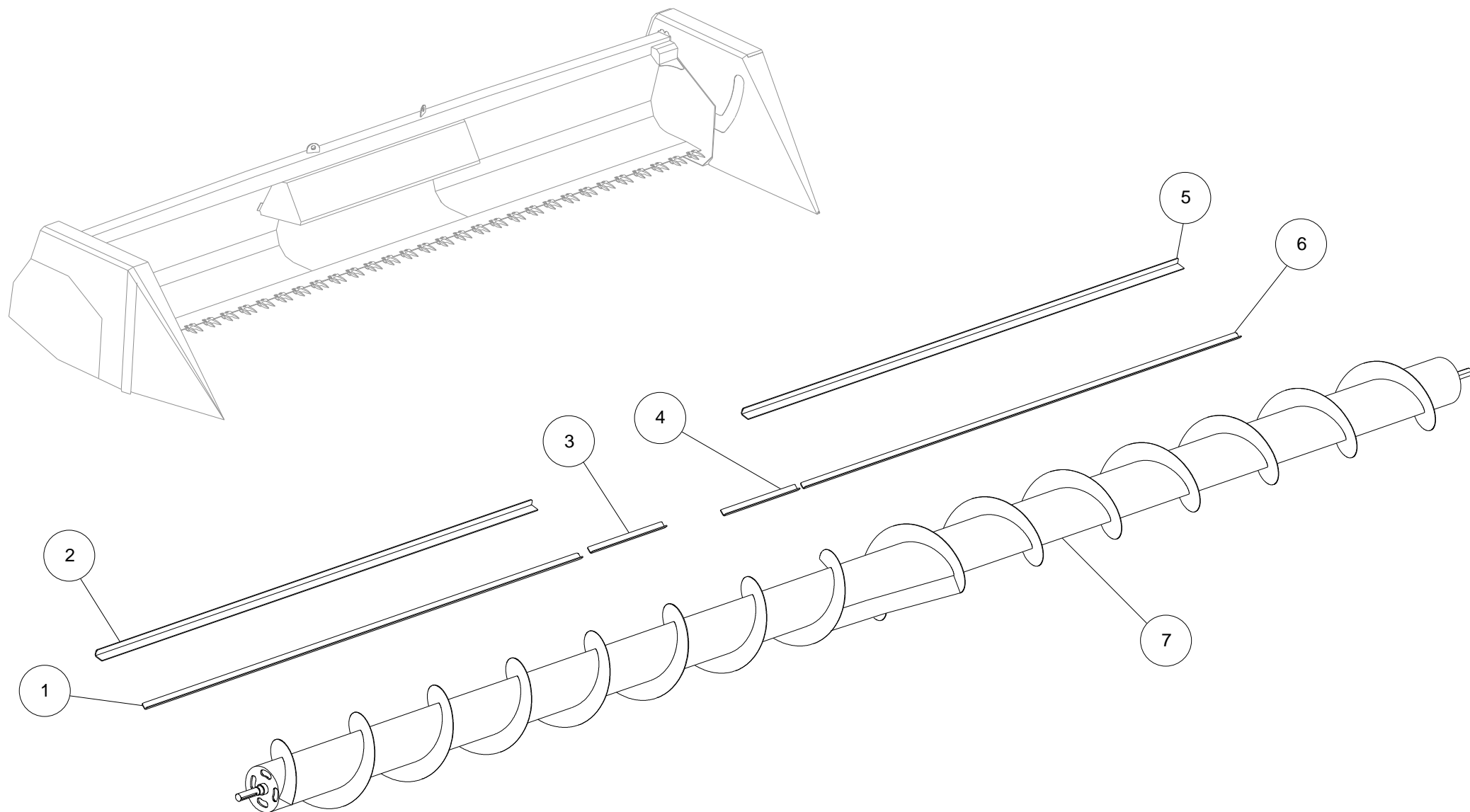
Pos	Code	Descrizione	Note	Description	Description	Beschreibung	Descripcìon
1	S1-80069	BOCCOLA		BUSHING	DOUILLE	BÜCHSE	HEVILLA
2	PMS-000073	TERZO PUNTO		TOP LINK	BARRE DE POUSSE	OBERLENKER	BARRA
3	S2-80006	PERNO		PIVOT	TETON	ZAPFEN	PIVOTE
4	PMF-000147	VITE TE	M8X20	HEXAGONAL SCREW	VIS SIX PANS	SECHSKANTSCHRAUBE	TORNILLO
5	PMF-000460	DADO	M20	HEXAGONAL NUT	ECROU SIX PANS	SICHERUNGSMUTTER	CONTRATUERCA



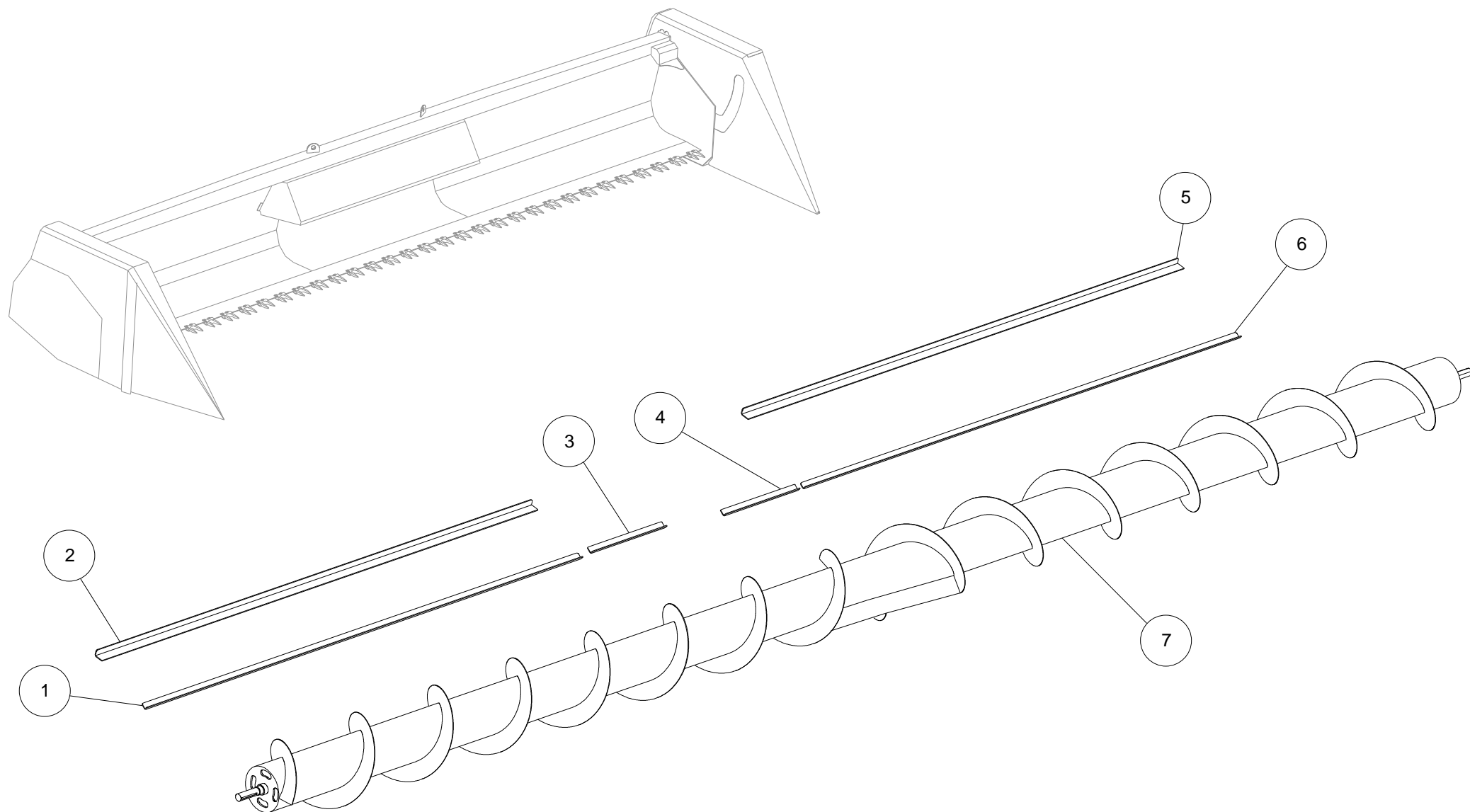
Pos	Code	Descrizione	Note	Description	Description	Beschreibung	Descripcìon
1	S1-80025	PIASTRA PROTEZIONE ASPO		SECURITY PLATE	PLAQUE	PLATTE	PLACA
2	S2-70000	CILINDRO DESTRO		RIGHT CYLINDER	VERIN DROITE	ZYLINDER RECHTS	CILINDRO DERECHO
3	S2-80006	PERNO		PIVOT	TETON	ZAPFEN	PIVOTE
4	PMF-000017	VITE TBQS	M8X20	COACH SCREW	VIS A TETE BOMBEE	FLACHRUNDSCHRAUBE	TORNILLO
5	PMF-000024	DADO AUTOBLOCCANTE	M12	SECURING NUT	ECROU INDESSERRAB	SICHERUNGSMUTTER	CONTRATUERCA
6	PMF-000133	VITE TE	M12X30	HEXAGONAL SCREW	VIS SIX PANS	SECHSKANTSCHRAUBE	TORNILLO
7	PMF-000022	ANELLO ELASTICO	I 72X2,5	CIRCLIP	CIRCLIP	SICHERUNGSRING	ANILLO ELASTICO
8	PMS-000002	CUSCINETTO A SFERE		BALL BEARING	ROULEMENT A BILLES	KUGELLAGER	RODAMIENTO DE BOLAS
9	S2-80021	STAFFA DESTRA SOSTEGNO ASPO		SUPPORT RIGHT REEL	SUPPORT DROITE	BUGELHALTER RECHTS	SOPORTE DERECHO
10	PMF-000079	ANELLO ELASTICO	E35X1,5	CIRCLIP	CIRCLIP	SICHERUNGSRING	ANILLO ELASTICO
11	S2-80013	STAFFA DESTRA SOSTEGNO ASPO		SUPPORTING RIGHT ARM	SUPPORT DROITE	BUGELHALTER RECHTS	SOPORTE DERECHO
12	S2-80035	ASPO SINISTRO	12000 - LEFT	REEL LEFT	MOLINETE GAUCHE	HASPEL LINKS	RABATTEUR IZQUIERDO
12	S2-80036	ASPO DESTRO	12000 - RIGHT	REEL RIGHT	MOLINETE DROITE	HASPEL RECHTS	RABATTEUR DERECHO
12	S3-80003	ASPO	7500	REEL	MOLINETE	HASPEL	RABATTEUR
12	S3-80004	ASPO	9400	REEL	MOLINETE	HASPEL	RABATTEUR
12	S3-80005	ASPO	5700	REEL	MOLINETE	HASPEL	RABATTEUR
13	PMF-000015	DADO AUTOBLOCCANTE	M6	SECURING NUT	ECROU INDESSERRAB	SICHERUNGSMUTTER	CONTRATUERCA
14	PMF-000020	RONDELLA	6.4X18X1.6	WASHER	RONDELLE	SCHEIBE	ARANDELLA
15	S1-80005	PALETTA ASPO		SCRAPER	RACLEUR	ABSTREIFER	ESCURRIDOR
16	PMF-000019	VITE TBQS	M6X16	COACH SCREW	VIS A TETE BOMBEE	FLACHRUNDSCHRAUBE	TORNILLO



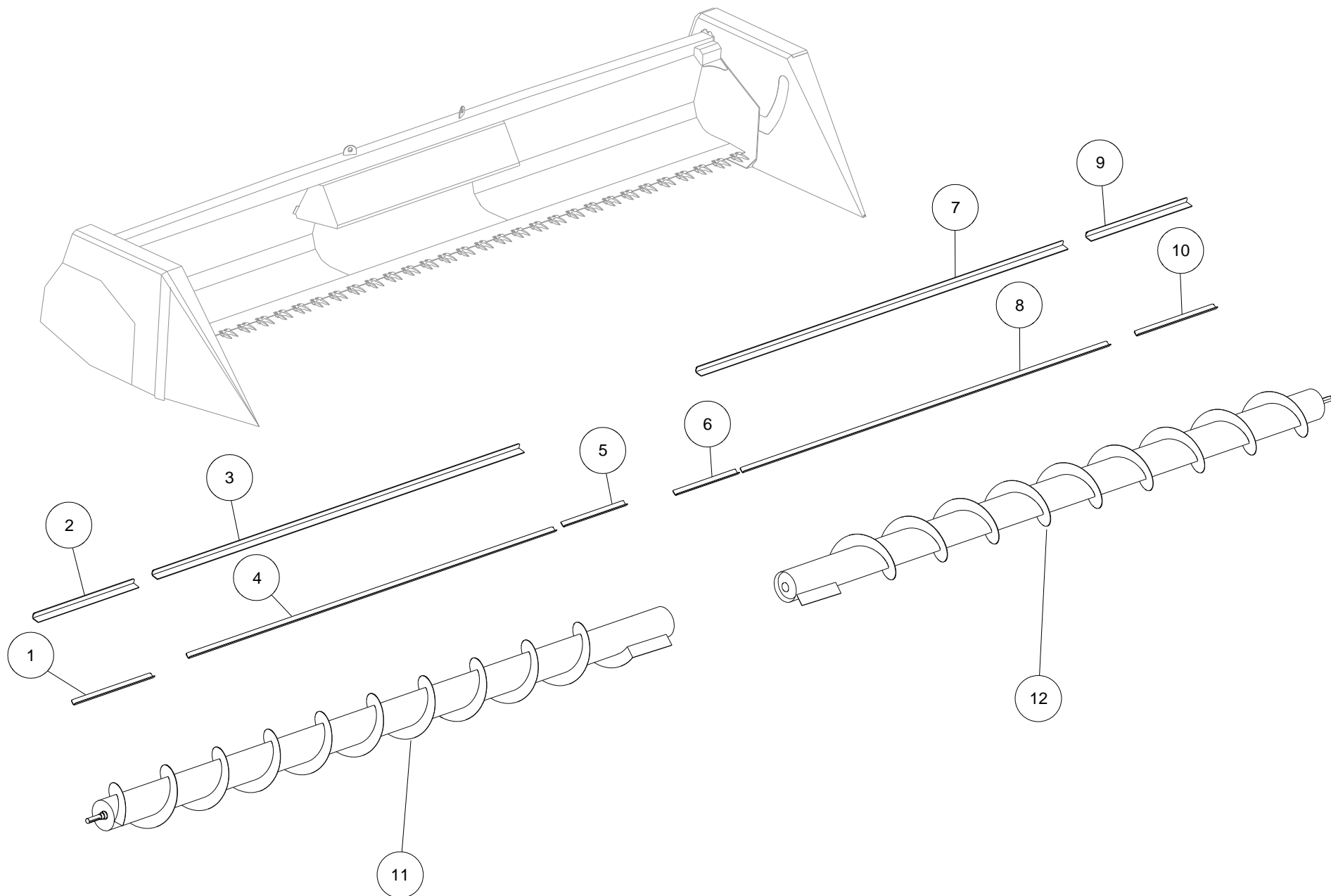
Pos	Code	Descrizione	Note	Description	Description	Beschreibung	Descripcìon
1	PMF-000079	ANELLO ELASTICO	E35X1,5	CIRCLIP	CIRCLIP	SICHERUNGSRING	ANILLO ELASTICO
2	S2-70001	CILINDRO SINISTRO		LEFT CYLINDER	VERIN GAUCHE	ZYLINDER LINKS	CILINDRO IZQUIERDO
3	S2-80052	BRACCIO SOSTEGNO COPERTURA ASPO SINISTRA		LEFT SUPPORTING ARM	BRAS GAUCHE	AUSLEGER LINKS	BRAZO IZQUIERDO
4	S2-80012	STAFFA SINISTRA SOSTEGNO ASPO		SUPPORT LEFT REEL	SUPPORT GAUCHE	BUGELHALTER LINKS	SOPORTE IZQUIERDO
5	PMS-000003	CUSCINETTO A SFERE		BALL BEARING	ROULEMENT A BILLES	KUGELLAGER	RODAMIENTO DE BOLAS
6	PMF-000022	ANELLO ELASTICO	I 72X2,5	CIRCLIP	CIRCLIP	SICHERUNGSRING	ANILLO ELASTICO
7	PMF-000439	TAPPO	90X10	COVER	COUVERCLE	DECKEL	CUBIERTA



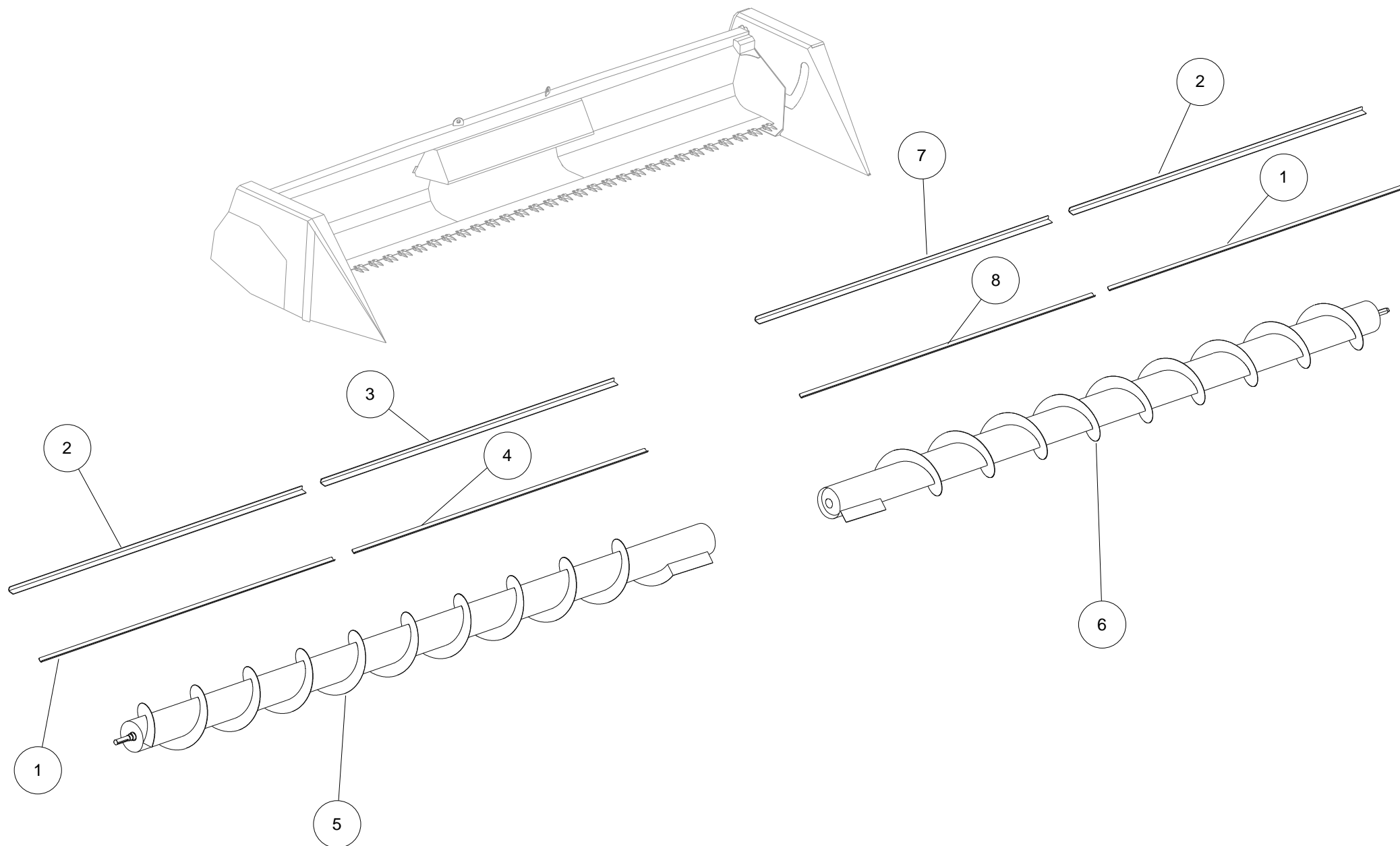
Pos	Code	Descrizione	Note	Description	Description	Beschreibung	Descripcìon
1	S1-20036	RASAMENTO INFERIORE DESTRO		DOWN STRIPPER RIGHT	LAME INFÉRIEUR DROITE	ABSTREIFMESSER UNTEN RECHTS	RASCADOR INFERIOR DERECHO
2	S1-20038	RASAMENTO SUPERIORE DESTRO		UP STRIPPER RIGHT	LAME SUPÉRIEUR DROITE	ABSTREIFMESSER OBEN RECHTS	RASCADOR SUPERIOR DERECHO
3	S1-20018	RASAMENTO CENTRALE DESTRO		MIDDLE STRIPPER RIGHT	LAME CENTRALE DROITE	ABSTREIFMESSER ZENTRAL RECHTS	RASCADOR CENTRAL DERECHO
4	S1-20024	RASAMENTO CENTRALE SINISTRO		MIDDLE STRIPPER LEFT	LAME CENTRALE GAUCHE	ABSTREIFMESSER ZENTRAL LINKS	RASCADOR CENTRAL IZQUIERDO
5	S1-20037	RASAMENTO SUPERIORE SINISTRO		UP STRIPPER LEFT	LAME SUPÉRIEUR GAUCHE	ABSTREIFMESSER OBEN LINKS	RASCADOR SUPERIOR IZQUIERDO
6	S1-20035	RASAMENTO INFERIORE SINISTRO		LATERAL DOWN STRIPPER LEFT	LAME INFÉRIEUR GAUCHE	ABSTREIFMESSER UNTEN LINKS	RASCADOR INFERIOR IZQUIERDO
7	S3-20002	COCLEA		AUGER	VIS SANS FIN	SCHNECKE	TORNILLO SIN FIN



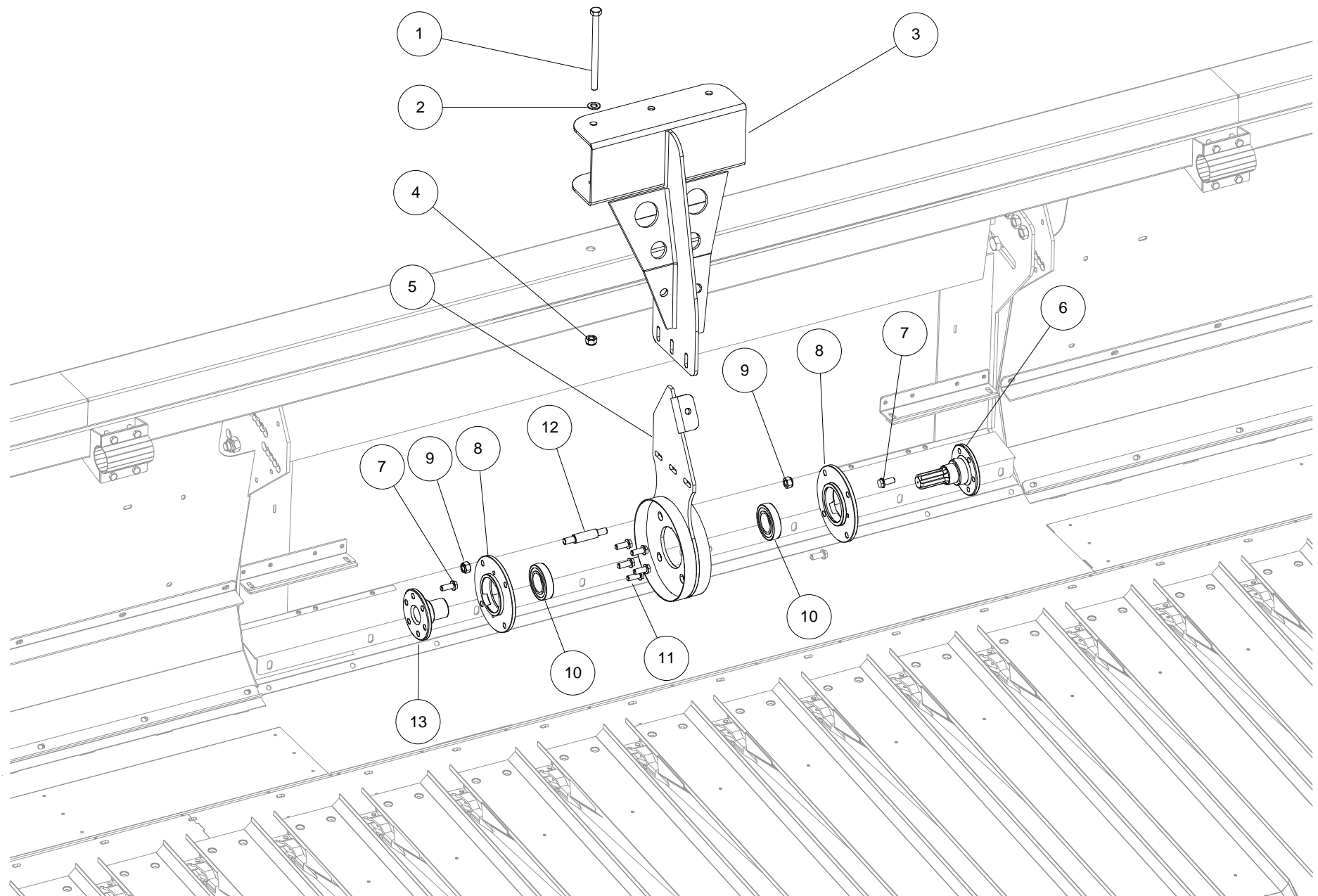
Pos	Code	Descrizione	Note	Description	Description	Beschreibung	Descripcìon
1	S1-20023	RASAMENTO INFERIORE DESTRO		DOWN STRIPPER RIGHT	LAME INFÉRIEUR DROITE	ABSTREIFMESSER UNTEN RECHTS	RASCADOR INFERIOR DERECHO
2	S1-20022	RASAMENTO SUPERIORE DESTRO		UP STRIPPER RIGHT	LAME SUPÉRIEUR DROITE	ABSTREIFMESSER OBEN RECHTS	RASCADOR SUPERIOR DERECHO
3	S1-20018	RASAMENTO CENTRALE DESTRO		MIDDLE STRIPPER RIGHT	LAME CENTRALE DROITE	ABSTREIFMESSER ZENTRAL RECHTS	RASCADOR CENTRAL DERECHO
4	S1-20024	RASAMENTO CENTRALE SINISTRO		MIDDLE STRIPPER LEFT	LAME CENTRALE GAUCHE	ABSTREIFMESSER ZENTRAL LINKS	RASCADOR CENTRAL IZQUIERDO
5	S1-20016	RASAMENTO SUPERIORE SINISTRO		UP STRIPPER LEFT	LAME SUPÉRIEUR GAUCHE	ABSTREIFMESSER OBEN LINKS	RASCADOR SUPERIOR IZQUIERDO
6	S1-20017	RASAMENTO INFERIORE SINISTRO		LATERAL DOWN STRIPPER LEFT	LAME INFÉRIEUR GAUCHE	ABSTREIFMESSER UNTEN LINKS	RASCADOR INFERIOR IZQUIERDO
7	S3-20000	COCLEA		AUGER	VIS SANS FIN	SCHNECKE	TORNILLO SIN FIN



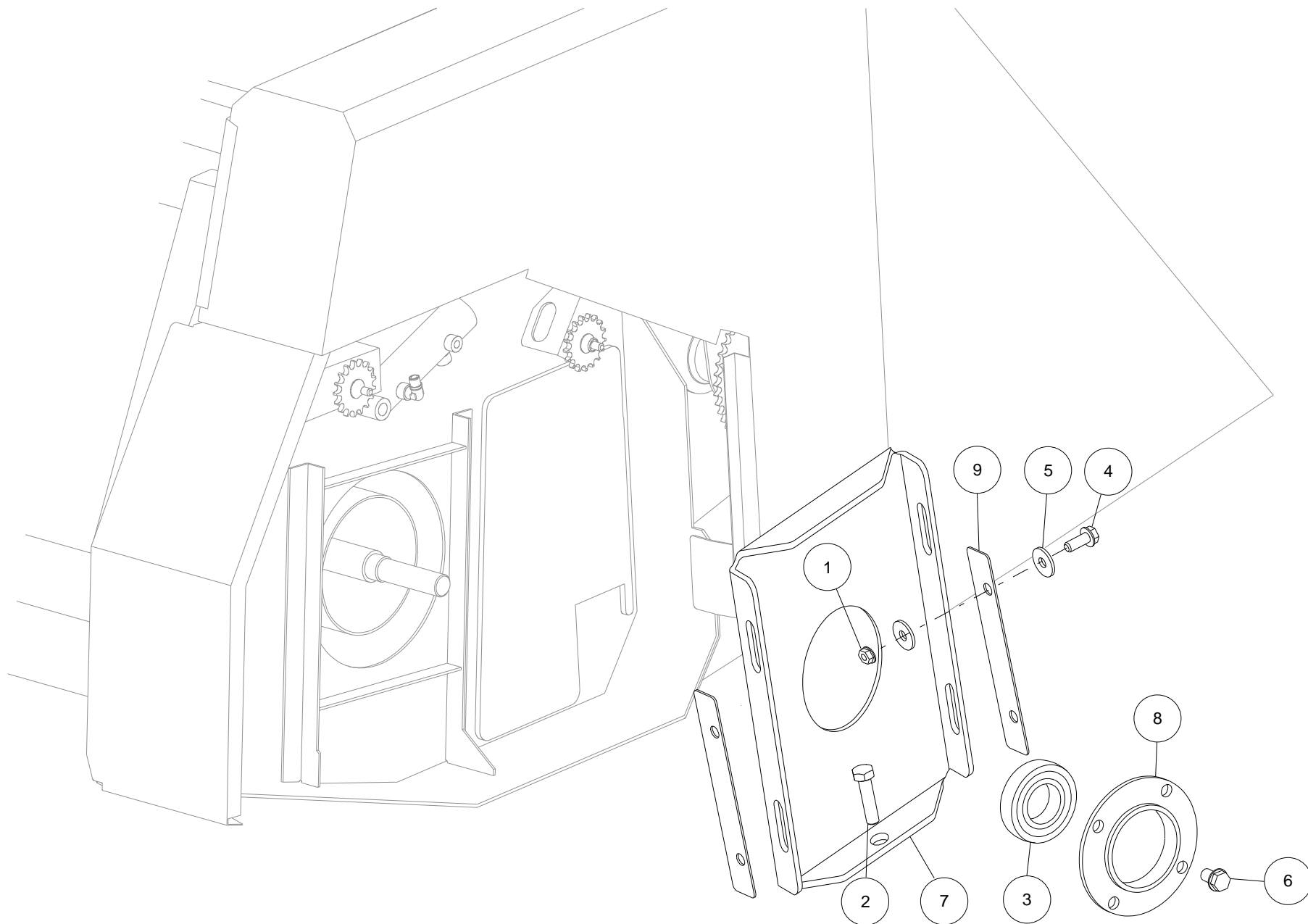
Pos	Code	Descrizione	Note	Description	Description	Beschreibung	Descripcìon
1	S1-20020	RASAMENTO INFERIORE DESTRO		LATERAL DOWN STRIPPER RIGHT	LAME INFÉRIEUR DROITE	ABSTREIFMESSER UNTEN RECHTS	RASCADOR INFERIOR DERECHO
2	S1-20019	RASAMENTO SUPERIORE DESTRO		LATERAL UP STRIPPER RIGHT	LAME SUPÉRIEUR DROITE	ABSTREIFMESSER OBEN RECHTS	RASCADOR SUPERIOR DERECHO
3	S1-20022	RASAMENTO SUPERIORE DESTRO		UP STRIPPER RIGHT	LAME SUPÉRIEUR DROITE	ABSTREIFMESSER OBEN RECHTS	RASCADOR SUPERIOR DERECHO
4	S1-20023	RASAMENTO INFERIORE DESTRO		DOWN STRIPPER RIGHT	LAME INFÉRIEUR DROITE	ABSTREIFMESSER UNTEN RECHTS	RASCADOR INFERIOR DERECHO
5	S1-20018	RASAMENTO CENTRALE DESTRO		MIDDLE STRIPPER RIGHT	LAME CENTRALE DROITE	ABSTREIFMESSER ZENTRAL RECHTS	RASCADOR CENTRAL DERECHO
6	S1-20024	RASAMENTO CENTRALE SINISTRO		MIDDLE STRIPPER LEFT	LAME CENTRALE GAUCHE	ABSTREIFMESSER ZENTRAL LINKS	RASCADOR CENTRAL IZQUIERDO
7	S1-20016	RASAMENTO SUPERIORE SINISTRO		UP STRIPPER LEFT	LAME SUPÉRIEUR GAUCHE	ABSTREIFMESSER OBEN LINKS	RASCADOR SUPERIOR IZQUIERDO
8	S1-20017	RASAMENTO INFERIORE SINISTRO		LATERAL DOWN STRIPPER LEFT	LAME INFÉRIEUR GAUCHE	ABSTREIFMESSER UNTEN LINKS	RASCADOR INFERIOR IZQUIERDO
9	S1-20025	RASAMENTO SUPERIORE SINISTRO		LATERAL UP STRIPPER LEFT	LAME SUPÉRIEUR GAUCHE	ABSTREIFMESSER OBEN LINKS	RASCADOR SUPERIOR IZQUIERDO
10	S1-20026	RASAMENTO INFERIORE SINISTRO		LATERAL DOWN STRIPPER LEFT	LAME INFÉRIEUR GAUCHE	ABSTREIFMESSER UNTEN LINKS	RASCADOR INFERIOR IZQUIERDO
11	S3-20005	COCLEA DESTRA		RIGHT AUGER	VIS SANS FIN DROITE	SCHNECKE RECHTS	SINFIN DERECHA
12	S3-20006	COCLEA SINISTRA		LEFT AUGER	VIS D'ALIMENTATION GAUCHE	SCHNECKE LINKS	SINFIN IZQUIERDA



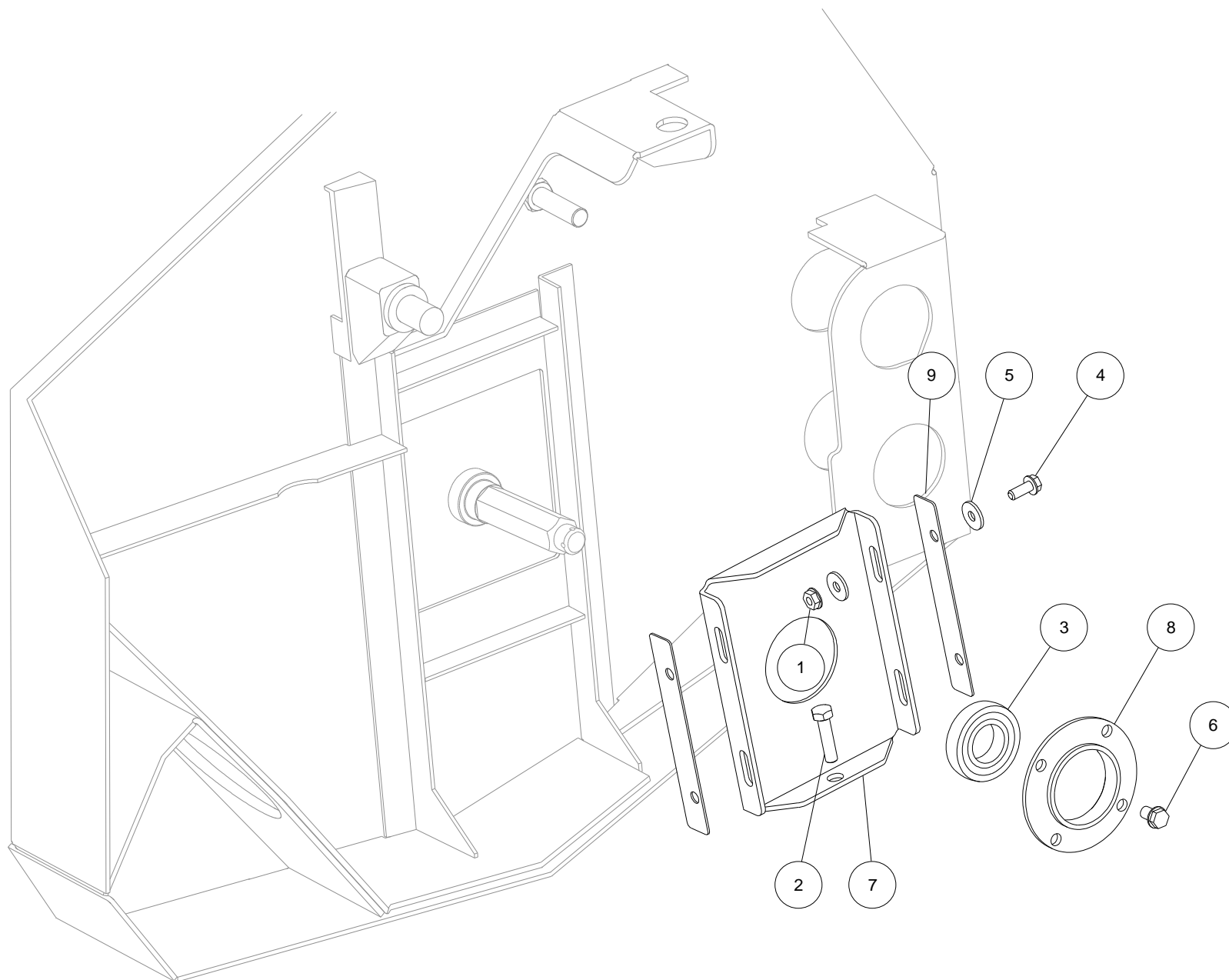
Pos	Code	Descrizione	Note	Description	Description	Beschreibung	Descripcìon
1	S1-20056	RASAMENTO		STRIPPER KNIFE	LAME RECLEUSE	ABSTREIFMESSER	RASCADOR
2	S1-20055	RASAMENTO		STRIPPER KNIFE	LAME RECLEUSE	ABSTREIFMESSER	RASCADOR
3	S1-20022	RASAMENTO SUPERIORE DESTRO		UP STRIPPER RIGHT	LAME SUPÉRIEUR DROITE	ABSTREIFMESSER OBEN RECHTS	RASCADOR SUPERIOR DERECHO
4	S1-20023	RASAMENTO INFERIORE DESTRO		DOWN STRIPPER RIGHT	LAME INFÉRIEUR DROITE	ABSTREIFMESSER UNTEN RECHTS	RASCADOR INFERIOR DERECHO
7	S1-20016	RASAMENTO SUPERIORE SINISTRO		UP STRIPPER LEFT	LAME SUPÉRIEUR GAUCHE	ABSTREIFMESSER OBEN LINKS	RASCADOR SUPERIOR IZQUIERDO
8	S1-20017	RASAMENTO INFERIORE SINISTRO		LATERAL DOWN STRIPPER LEFT	LAME INFÉRIEUR GAUCHE	ABSTREIFMESSER UNTEN LINKS	RASCADOR INFERIOR IZQUIERDO
5	S3-20004	COCLEA DESTRA		RIGHT AUGER	VIS SANS FIN DROITE	SCHNECKE RECHTS	SINFIN DERECHA
6	S3-20003	COCLEA SINISTRA		LEFT AUGER	VIS D'ALIMENTATION GAUCHE	SCHNECKE LINKS	SINFIN IZQUIERDA



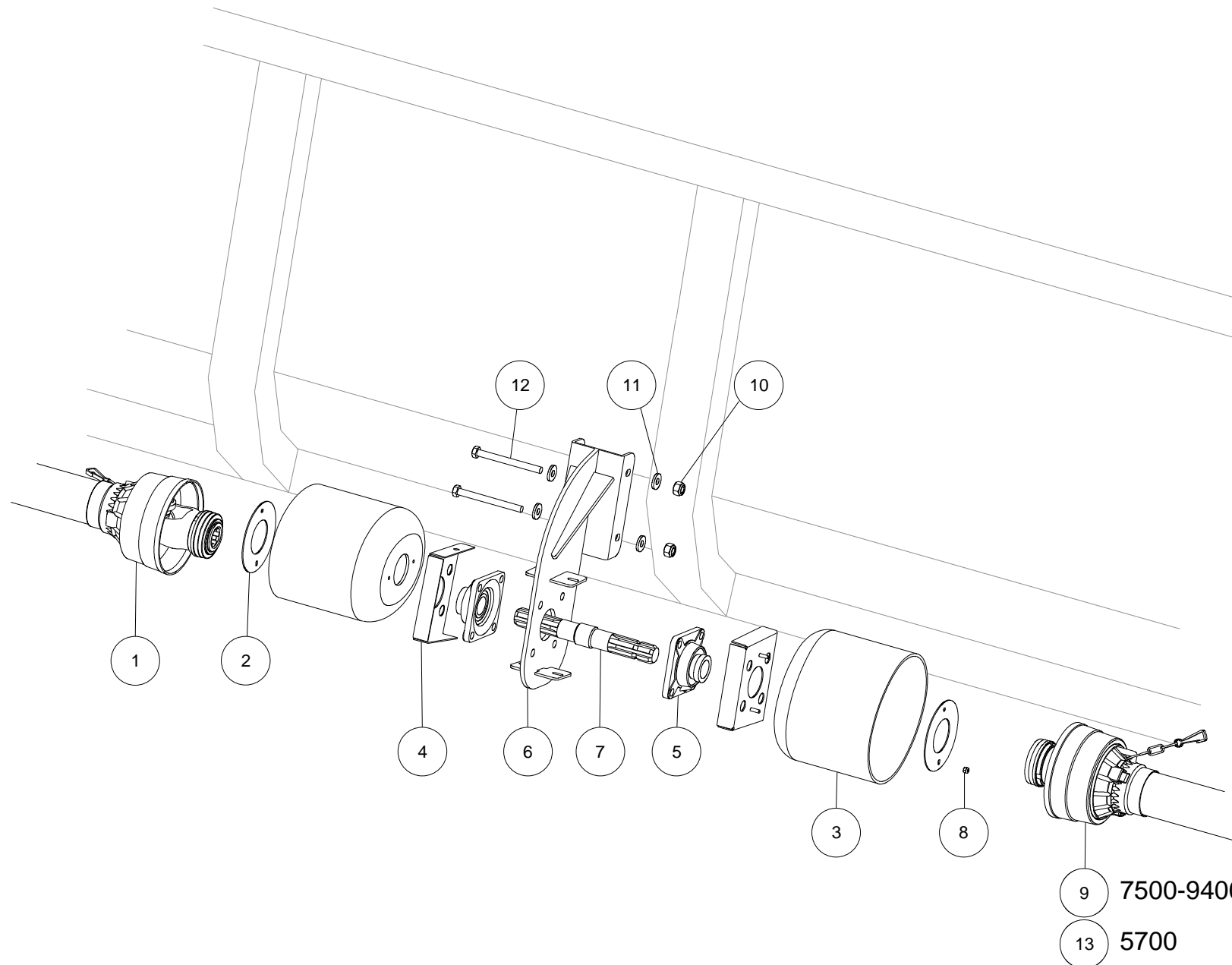
Pos	Code	Descrizione	Note	Description	Description	Beschreibung	Descripción
1	PMF-000712	VITE TE	M14X200	HEXAGONAL SCREW	VIS SIX PANS	SECHSKANTSCHRAUBE	TORNILLO
2	PMF-000256	RONDELLA	15X28X2.5	WASHER	RONDELLE	SCHEIBE	ARANDELLA
3	S2-10018	SUPPORTO		BRACKET	SUPPORT	ABSTUZUNG	SOPORTE
4	PMF-000031	DADO AUTOBLOCCANTE	M14	SECURING NUT	ECROU INDESSERRAB	SICHERUNGSMUTTER	CONTRATUERCA
5	S2-20010	SUPPORTO COCLEE CENTRALI		AUGER SUPPORT	SUPPORT VIS SANS FIN	BUGELHALTER	SOPORTE
6	S1-20049	ALBERO		SHAFT	ARBRE	WELLE	EJE
7	PMF-000042	VITE TENSILOCK	M12X30	SECURING SCREW TENSILOCK	VIS TENSILOCK	SCHRAUBE TENSILOCK	TORNILLO TENSILOCK
8	10.2258.00	SUPPORTO CUSCINETTO		LEFT BRACKET	SUPPORT BEARING	BUGELHALTER PENDELKUGELLAGEI	SOPORTE COJINETTE
9	PMF-000024	DADO AUTOBLOCCANTE	M12	SECURING NUT	ECROU INDESSERRAB	SICHERUNGSMUTTER	CONTRATUERCA
10	PMS-000007	CUSCINETTO A SFERE		BALL BEARING	ROULEMENT A BILLES	KUGELLAGER	RODAMIENTO DE BOLAS
11	PMF-000042	VITE TENSILOCK	M12X30	SECURING SCREW TENSILOCK	VIS TENSILOCK	SCHRAUBE TENSILOCK	TORNILLO TENSILOCK
12	S1-20054	TIRANTE		ROD	TIRANT	STANGE	TIRANDO
13	S1-20050	FLANGIA		FLANGE	BRIDE	FLANSCH	PLACA



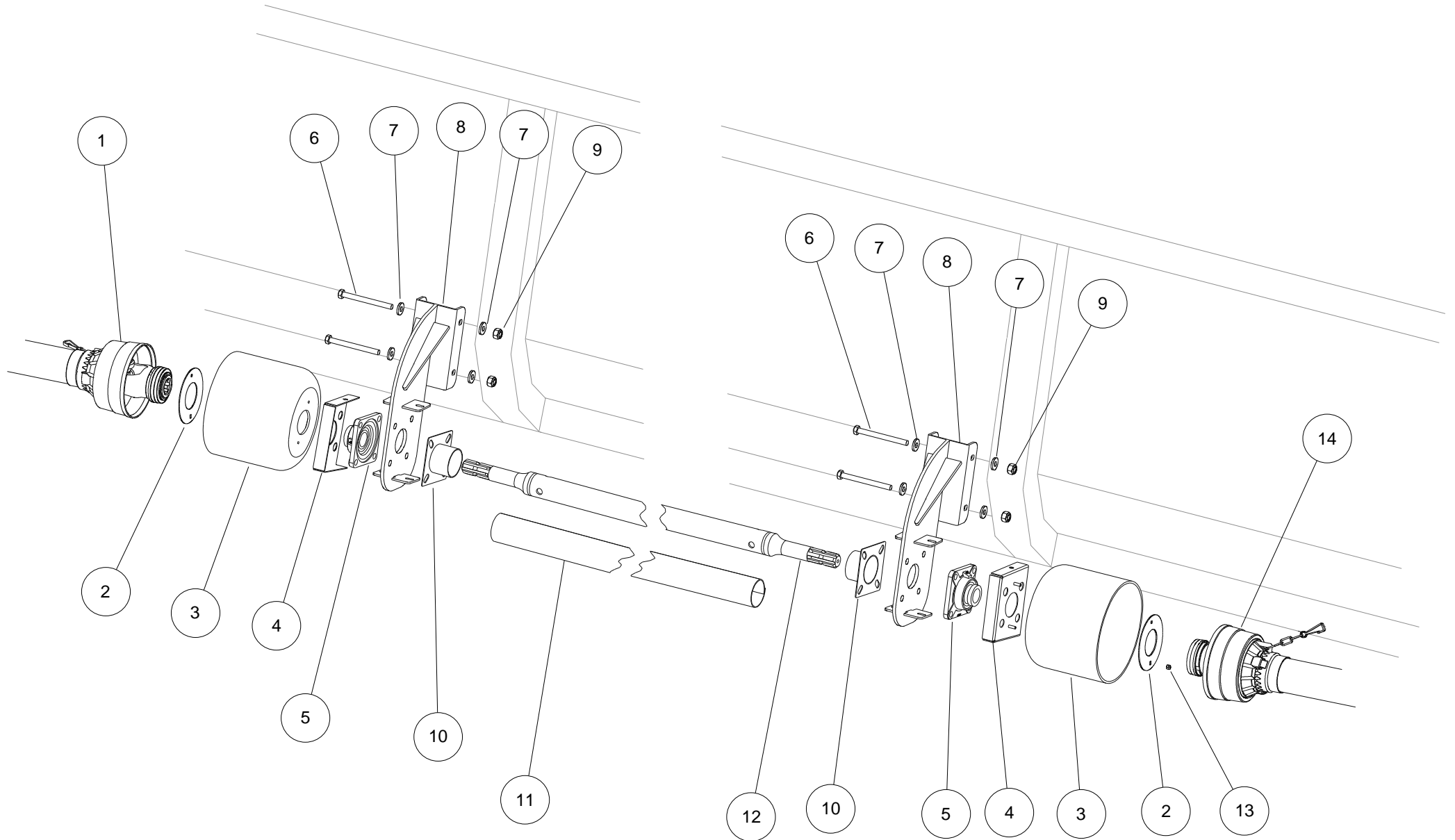
Pos	Code	Descrizione	Note	Description	Description	Beschreibung	Descripción
1	PMF-000012	DADO TENSILOCK	M10	SECURING NUT TENSILOCK	ECROU TENSILOCK	SICHERUNGSMUTTER TENSILOCK	CONTRATUERCA TENSILOCK
2	PMF-000037	VITE TE	M12X50	HEXAGONAL SCREW	VIS SIX PANS	SECHSKANTSCHRAUBE	TORNILLO
3	PMS-000005	CUSCINETTO A SFERE		BALL BEARING	ROULEMENT A BILLES	KUGELLAGER	RODAMIENTO DE BOLAS
4	PMF-000043	VITE TENSILOCK	M10X30	SECURING SCREW TENSILOCK	VIS TENSILOCK	SCHRAUBE TENSILOCK	TORNILLO TENSILOCK
5	PMF-000044	RONDELLA	10X30X3	WASHER	RONDELLE	SCHEIBE	ARANDELLA
6	PMF-000045	VITE TENSILOCK	M12X20	SECURING SCREW TENSILOCK	VIS TENSILOCK	SCHRAUBE TENSILOCK	TORNILLO TENSILOCK
7	S1-20010	SUPPORTO		BRACKET	SUPPORT	ABSTUZUNG	SOPORTE
8	S1-30030	SUPPORTO CUSCINETTO		SUPPORT BEARING	SUPPORT ROULEMENT	BUGELHALTER PENDELKUGELLAGEI	SOPORTE COJINETTE
9	S1-20027	SPESSORE		PLATE SPACER	TOLE	DISTANZBLECH	DISTANCIADOR



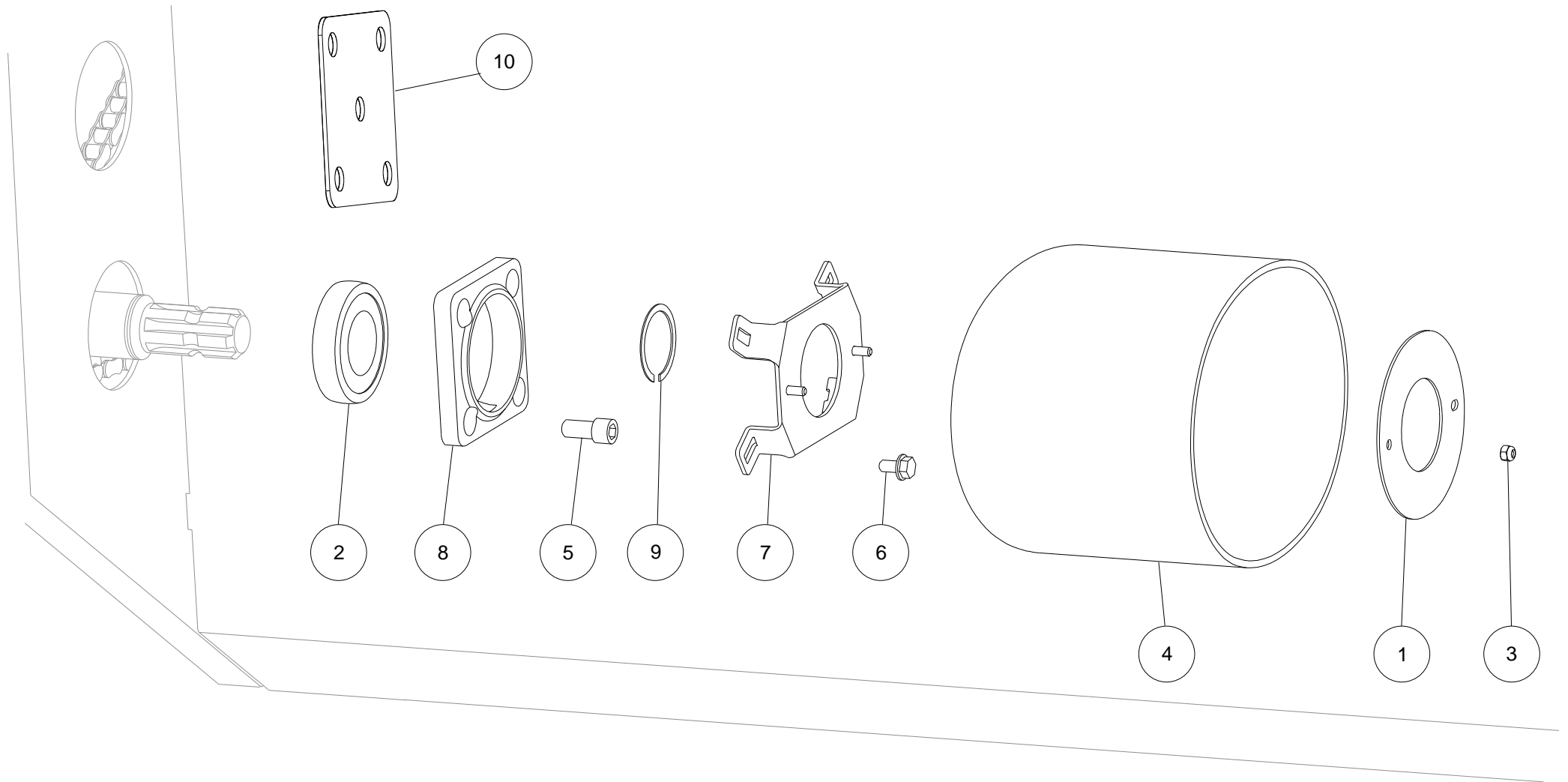
Pos	Code	Descrizione	Note	Description	Description	Beschreibung	Descripción
1	PMF-000012	DADO TENSILOCK	M10	SECURING NUT TENSILOCK	ECROU TENSILOCK	SICHERUNGSMUTTER TENSILOCK	CONTRATUERCA TENSILOCK
2	PMF-000037	VITE TE	M12X50	HEXAGONAL SCREW	VIS SIX PANS	SECHSKANTSCHRAUBE	TORNILLO
3	PMS-000005	CUSCINETTO A SFERE		BALL BEARING	ROULEMENT A BILLES	KUGELLAGER	RODAMIENTO DE BOLAS
4	PMF-000043	VITE TENSILOCK	M10X30	SECURING SCREW TENSILOCK	VIS TENSILOCK	SCHRAUBE TENSILOCK	TORNILLO TENSILOCK
5	PMF-000044	RONDELLA	10X30X3	WASHER	RONDELLE	SCHEIBE	ARANDELLA
6	PMF-000045	VITE TENSILOCK	M12X20	SECURING SCREW TENSILOCK	VIS TENSILOCK	SCHRAUBE TENSILOCK	TORNILLO TENSILOCK
7	S1-20000	SUPPORTO		BRACKET	SUPPORT	ABSTUZUNG	SOPORTE
8	S1-30030	SUPPORTO CUSCINETTO		SUPPORT BEARING	SUPPORT ROULEMENT	BUGELHALTER PENDELKUGELLAGEI	SOPORTE COJINETTE
9	S1-20027	SPESSORE		PLATE SPACER	TOLE	DISTANZBLECH	DISTANCIADOR



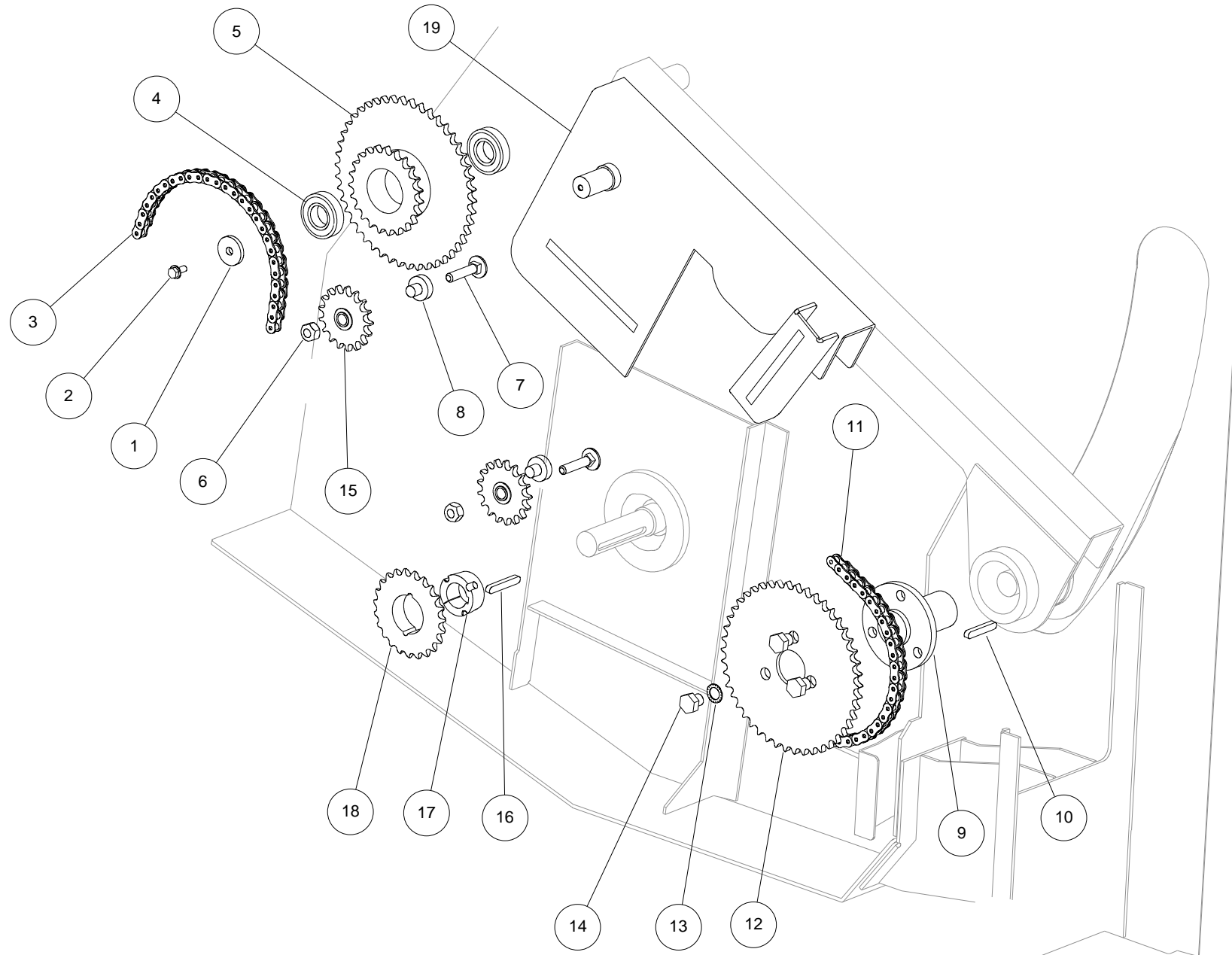
Pos	Code	Descrizione	Note	Description	Description	Beschreibung	Descripcìon
1	PTO-000023	CARDANO	7500	PTO SHAFT	ARBRE ARTICULE'	GELENKWELLE	CARDAN
1	PTO-000027	CARDANO	9400	PTO SHAFT	ARBRE ARTICULE'	GELENKWELLE	CARDAN
2	S1-30033	PIASTRA		PLATE	PLAQUE	PLATTE	PLACA
3	PMT-000019	CUFFIA DI PROTEZIONE		GUARD CAP	POT PROTECTION	SCHUTZTOPF	PROTECCION
4	S1-30032	SUPPORTO CUFFIA		COVER CAP	CHAPEAU	BUEGEL	PROTECCION
5	PMS-000006	SUPPORTO CUSCINETTO		SUPPORT BEARING	SUPPORT ROULEMENT	BUGELHALTER PENDELKUGELLAGEI	SOPORTE COJINETTE
6	S2-30001	SUPPORTO		BRACKET	SUPPORT	ABSTUZZUNG	SOPORTE
7	S1-30031	ALBERO		SHAFT	ARBRE	WELLE	EJE
8	PMF-000015	DADO AUTOBLOCCANTE	M6	SECURING NUT	ECROU INDESSERRAB	SICHERUNGSMUTTER	CONTRATUERCA
9	PTO-000023	CARDANO	NEW HOLLAND	PTO SHAFT	ARBRE ARTICULE'	GELENKWELLE	CARDAN
9	PTO-000024	CARDANO	AGCO-JOHN DEERE-CLAAS	PTO SHAFT	ARBRE ARTICULE'	GELENKWELLE	CARDAN
9	PTO-000040	CARDANO	CASE IH	PTO SHAFT	ARBRE ARTICULE'	GELENKWELLE	CARDAN
9	PTO-000115	CARDANO	ROSTSELMASH	PTO SHAFT	ARBRE ARTICULE	GELENKWELLE	CARDAN
10	PMF-000024	DADO AUTOBLOCCANTE	M12	SECURING NUT	ECROU INDESSERRAB	SICHERUNGSMUTTER	CONTRATUERCA
11	PMF-000036	RONDELLA	12X30X3	WASHER	RONDELLE	SCHEIBE	ARANDELLA
12	PMF-000008	VITE TE	M12X130	HEXAGONAL SCREW	VIS SIX PANS	SECHSKANTSCHRAUBE	TORNILLO
13	PTO-000018	CARDANO	NEW HOLLAND	PTO SHAFT	ARBRE ARTICULE'	GELENKWELLE	CARDAN
13	PTO-000019	CARDANO	AGCO-CLAAS-JOHN DEERE	PTO SHAFT	ARBRE ARTICULE'	GELENKWELLE	CARDAN
13	PTO-000111	CARDANO	ROSTSELMASH	PTO SHAFT	ARBRE ARTICULE'	GELENKWELLE	CARDAN
13	PTO-000112	CARDANO	CASE IH	PTO SHAFT	ARBRE ARTICULE'	GELENKWELLE	CARDAN



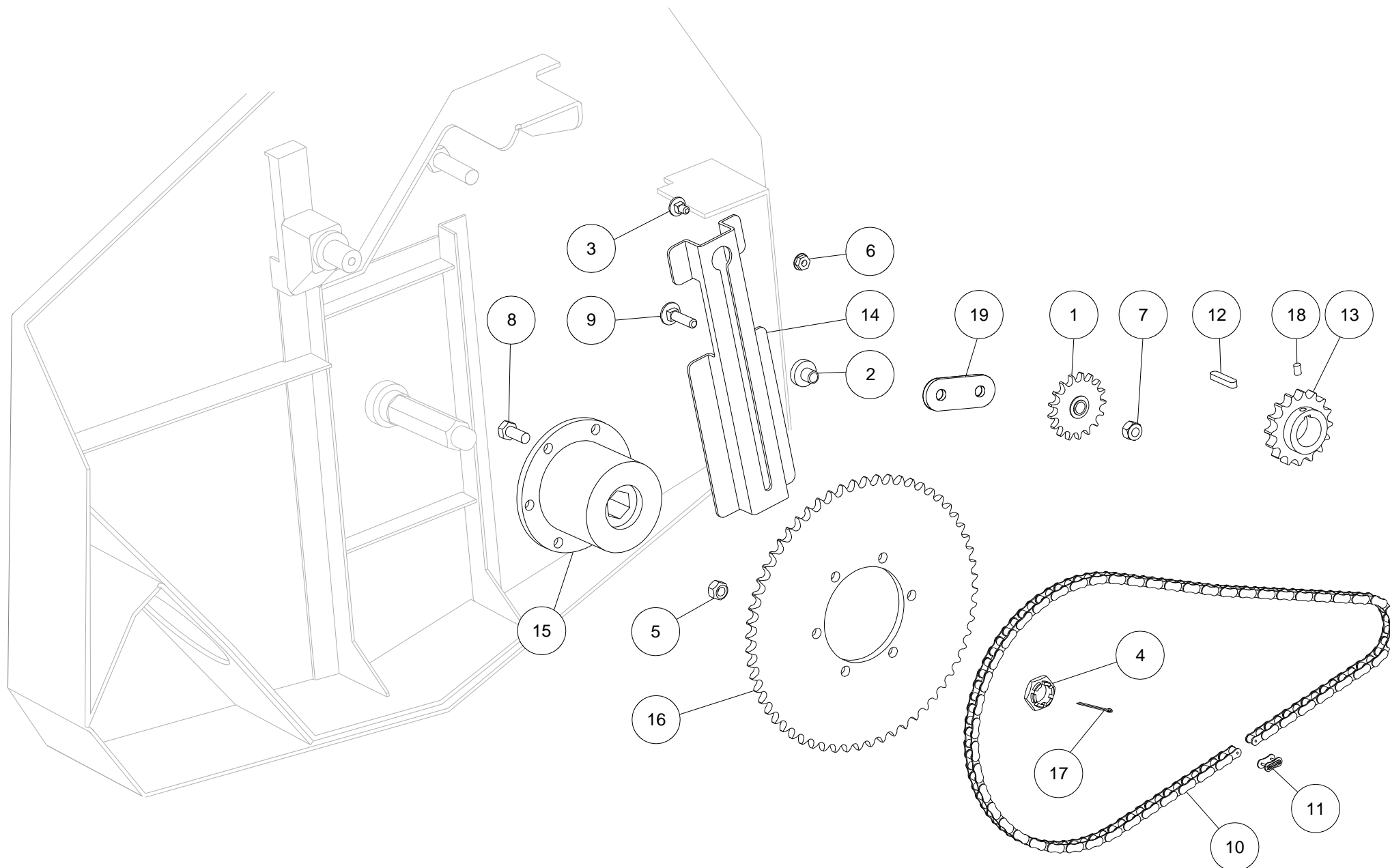
Pos	Code	Descrizione	Note	Description	Description	Beschreibung	Descripcìon
1	PTO-000070	CARDANO		PTO SHAFT	ARBRE ARTICULE'	GELENKWELLE	CARDAN
2	S1-30033	PIASTRA		PLATE	PLAQUE	PLATTE	PLACA
3	PMT-000019	CUFFIA DI PROTEZIONE		GUARD CAP	POT PROTECTION	SCHUTZTOPF	PROTECCION
4	S1-30032	SUPPORTO CUFFIA		COVER CAP	CHAPEAU	BUEGEL	PROTECCION
5	PMS-000006	SUPPORTO CUSCINETTO		SUPPORT BEARING	SUPPORT ROULEMENT	BUGELHALTER PENDELKUGELLAGEI	SOPORTE COJINETTE
6	PMF-000008	VITE TE	M12X130	HEXAGONAL SCREW	VIS SIX PANS	SECHSKANTSCHRAUBE	TORNILLO
7	PMF-000036	RONDELLA	12X30X3	WASHER	RONDELLE	SCHEIBE	ARANDELLA
8	S2-30001	SUPPORTO		BRACKET	SUPPORT	ABSTUZUNG	SOPORTE
9	PMF-000024	DADO AUTOBLOCCANTE	M12	SECURING NUT	ECROU INDESSERRAB	SICHERUNGSMUTTER	CONTRATUERCA
10	01.2425.00	SUPPORTO		BRACKET	SUPPORT	ABSTUZUNG	SOPORTE
11	S1-30123	TUBO PROTEZIONE		TUBE	TUBE	SCHLAUCH	MANGUERA
12	S2-30024	ALBERO		SHAFT	ARBRE	WELLE	EJE
13	PMF-000015	DADO AUTOBLOCCANTE	M6	SECURING NUT	ECROU INDESSERRAB	SICHERUNGSMUTTER	CONTRATUERCA
14	PTO-000023	CARDANO	CNH	PTO SHAFT	ARBRE ARTICULE'	GELENKWELLE	CARDAN
14	PTO-000024	CARDANO	JD , CLAAS, AGCO	PTO SHAFT	ARBRE ARTICULE'	GELENKWELLE	CARDAN



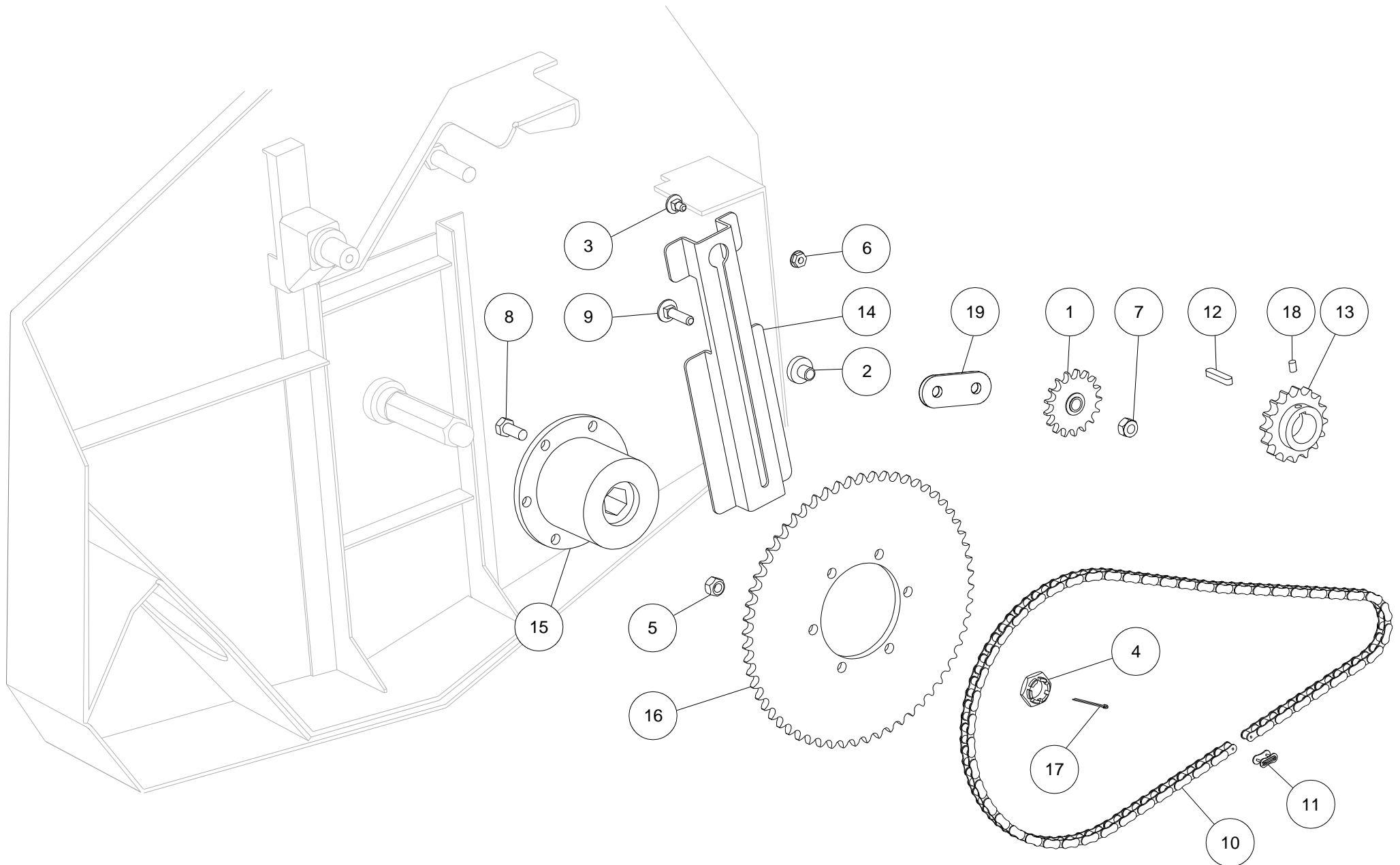
Pos	Code	Descrizione	Note	Description	Description	Beschreibung	Descripción
1	S1-30033	PIASTRA		PLATE	PLAQUE	PLATTE	PLACA
2	PMS-000007	CUSCINETTO A SFERE		BALL BEARING	ROULEMENT A BILLES	KUGELLAGER	RODAMIENTO DE BOLAS
3	PMF-000015	DADO AUTOBLOCCANTE	M6	SECURING NUT	ECROU INDESSERRAB	SICHERUNGSMUTTER	CONTRATUERCA
4	PMT-000019	CUFFIA DI PROTEZIONE		GUARD CAP	POT PROTECTION	SCHUTZTOPF	PROTECCION
5	PMF-000046	VITE TCEI	M12X25	SOCKET HEAD SCREW	VIS CYLINDRIQUE	ZYLINDERSCHRAUBE	TORNILLO
6	PMF-000047	VITE TENSILOCK	M6X16	SECURING SCREW TENSILOCK	VIS TENSILOCK	SCHRAUBE TENSILOCK	TORNILLO TENSILOCK
7	S1-30034	SUPPORTO		BRACKET	SUPPORT	ABSTUZZUNG	SOPORTE
8	S1-30035	SUPPORTO CUSCINETTO		SUPPORT BEARING	SUPPORT ROULEMENT	BUGELHALTER PENDELKUGELLAGEI	SOPORTE COJINETTE
9	PMF-000048	ANELLO ELASTICO	E45X1,75	CIRCLIP	CIRCLIP	SICHERUNGSRING	ANILLO ELASTICO
10	S1-40095	PIASTRA CHIUSURA		CLOSING PLATE	PLAQUE	PLATTE	PLACA



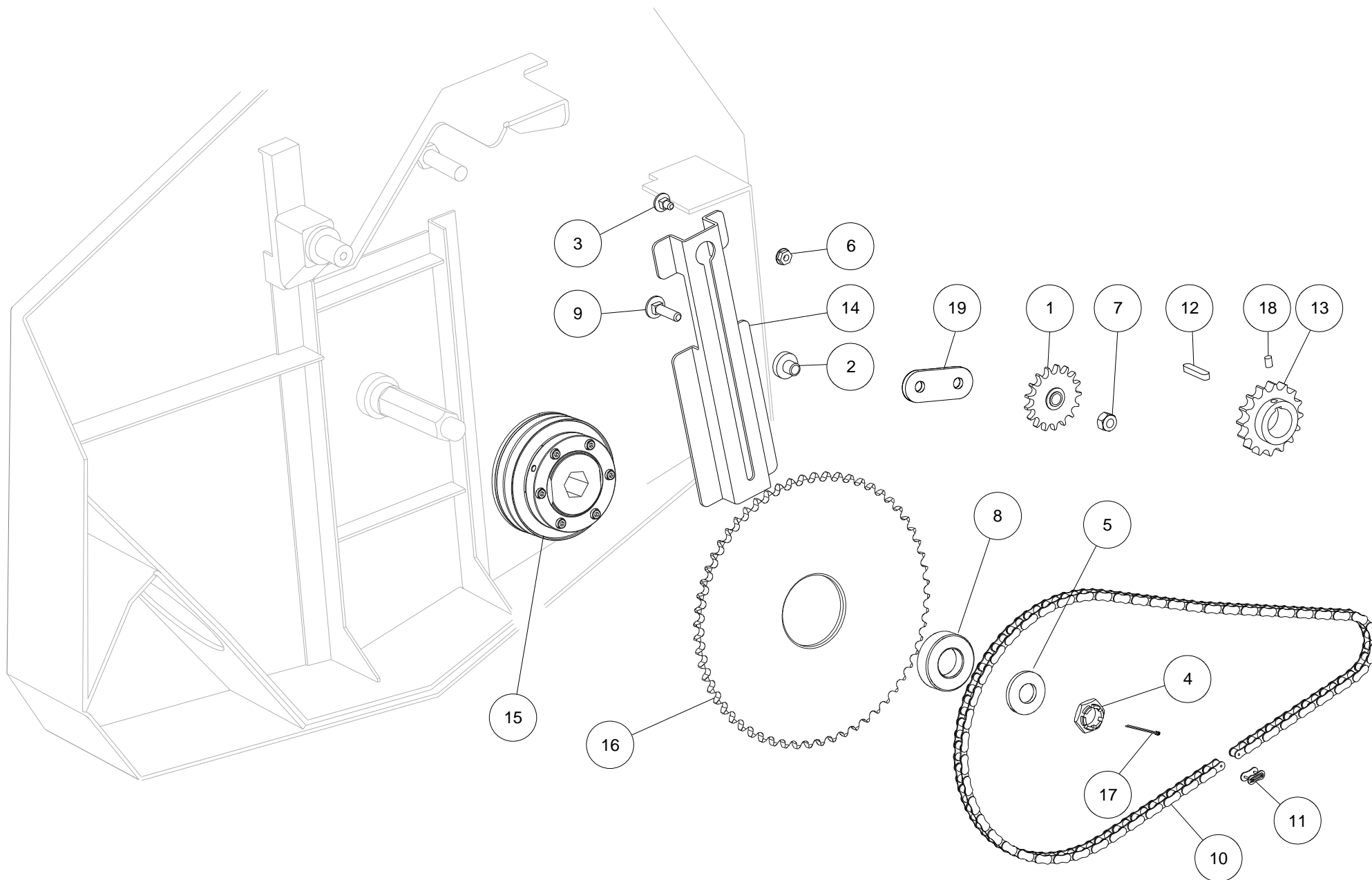
Pos	Code	Descrizione	Note	Description	Description	Beschreibung	Descripcìon
1	PMF-000010	RONDELLA	11X40X6	WASHER	RONDELLE	SCHEIBE	ARANDELLA
2	PMF-000034	VITE TENSILOCK	M8X20	SECURING SCREW TENSILOCK	VIS TENSILOCK	SCHRAUBE TENSILOCK	TORNILLO TENSILOCK
3	PMT-000158	CATENA ASPO		ROLLER CHAIN	CHAINE A ROULEAUX	KETTE	CADENA
4	PMS-000004	CUSCINETTO A SFERE		BALL BEARING	ROULEMENT A BILLES	KUGELLAGER	RODAMIENTO DE BOLAS
5	S2-30002	INGRANAGGIO		GEAR	ROUE DENTEE	STINRAD	ENGRANAJE
6	PMF-000024	DADO AUTOBLOCCANTE	M12	SECURING NUT	ECROU INDESSERRAB	SICHERUNGSMUTTER	CONTRATUERCA
7	PMF-000038	VITE TBQS	M12X60	COACH SCREW	VIS A TETE BOMBEE	FLACHRUNDSCHRAUBE	TORNILLO
8	S1-30028	BOCCOLA		BUSHING	DOUILLE	BÜCHSE	HEVILLA
9	S1-30029	MOZZO DI TRASMISSIONE		HUB	MOYEU	NABE	CUBO
10	PMT-000017	LINGUETTA	10X8X40	KNOTTER TONGUE	LANGUETTE	KNOTERERZUNGE	LENGUETA
11	PMT-000159	CATENA		CHAIN	CHAINE	KETTE	CADENA
12	S1-30008	INGRANAGGIO	Z46	GEAR	ROUE DENTEE	STINRAD	ENGRANAJE
13	PMF-000009	RONDELLA	16.5X26X3.6	WASHER	RONDELLE	SCHEIBE	ARANDELLA
14	PMF-000590	VITE TE	M16X20	HEXAGONAL SCREW	VIS SIX PANS	SECHSKANTSCHRAUBE	TORNILLO
15	PMT-000018	PIGNONE	Z17	SPROCKET	PIGNON	KEGELRAD	PIÑÓN
16	PMT-000001	LINGUETTA	10X8X100	KNOTTER TONGUE	LANGUETTE	KNOTERERZUNGE	LENGUETA
17	PMT-000002	BUSSOLA		BUSHING	DOUILLE	BÜCHSE	HEVILLA
18	PMT-000003	PIGNONE	Z23	SPROCKET	PIGNON	KEGELRAD	PIÑÓN
19	S2-30006	SUPPORTO		BRACKET	SUPPORT	ABSTUZUNG	SOPORTE



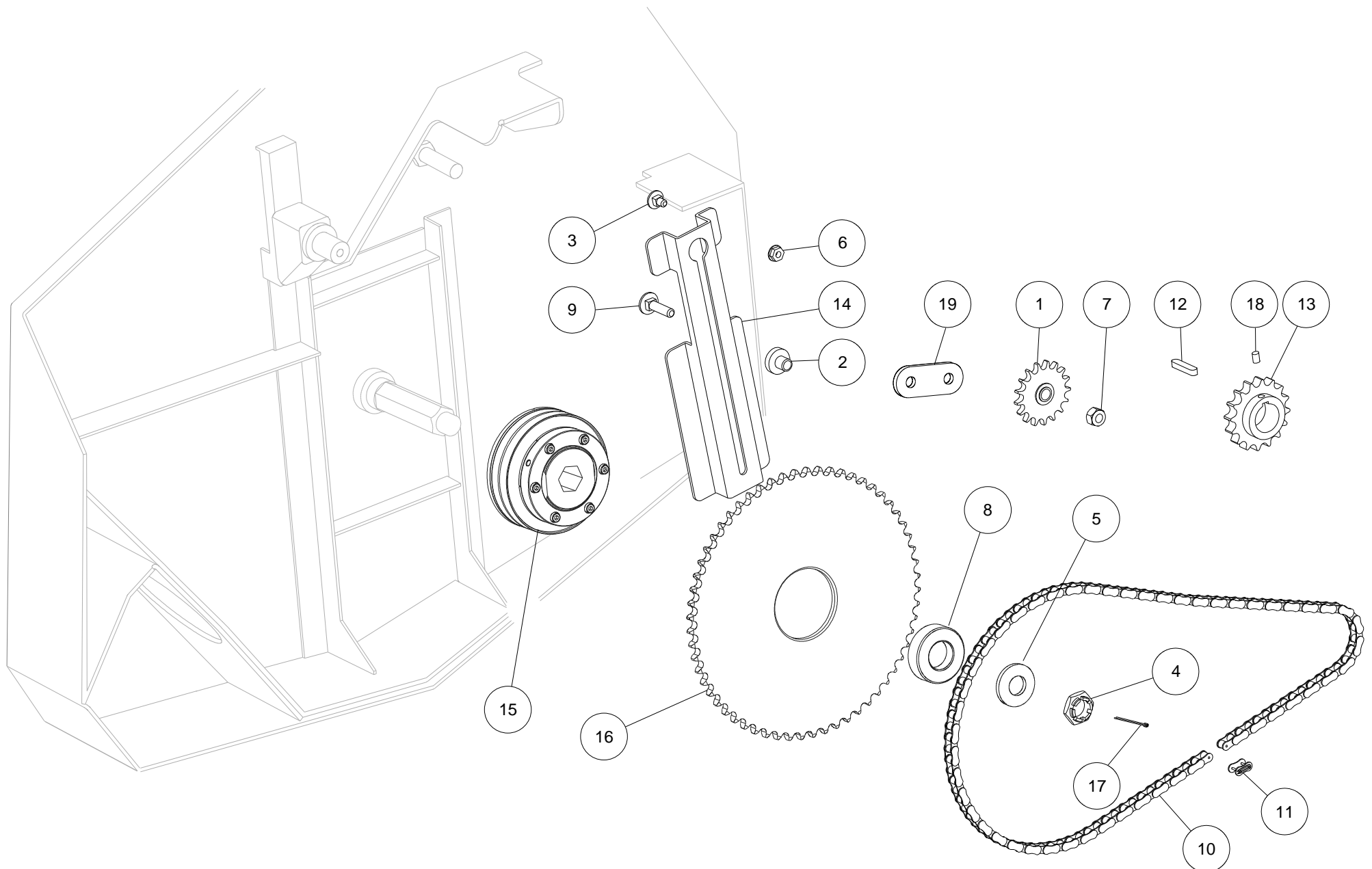
Pos	Code	Descrizione	Note	Description	Description	Beschreibung	Descripción
1	PMT-000004	PIGNONE		SPROCKET	PIGNON	KEGELRAD	PIÑÓN
2	S1-30018	BOCCOLA TENDICATENA		BUSHING	DOUILLE	BÜCHSE	HEVILLA
3	PMF-000029	VITE TBQS	M10X25	COACH SCREW	VIS A TETE BOMBEE	FLACHRUNDSCHRAUBE	TORNILLO
4	PMF-000030	DADO AD INTAGLI	M27X3	CASTELLATED NUTS	ECROU CRENELE'	KRONENMUTTER	TUERCA ALMENADA
5	PMF-000031	DADO AUTOBLOCCANTE	M14	SECURING NUT	ECROU INDESSERRAB	SICHERUNGSMUTTER	CONTRATUERCA
6	PMF-000012	DADO TENSILOCK	M10	SECURING NUT TENSILOCK	ECROU TENSILOCK	SICHERUNGSMUTTER TENSILOCK	CONTRATUERCA TENSILOCK
7	PMF-000024	DADO AUTOBLOCCANTE	M12	SECURING NUT	ECROU INDESSERRAB	SICHERUNGSMUTTER	CONTRATUERCA
8	PMF-000021	VITE TE	M14X35	HEXAGONAL SCREW	VIS SIX PANS	SECHSKANTSCHRAUBE	TORNILLO
9	PMF-000032	VITE TBQS	M12X50	COACH SCREW	VIS A TETE BOMBEE	FLACHRUNDSCHRAUBE	TORNILLO
10	PMT-000008	CATENA	60 LINKS	CHAIN	CHAINE	KETTE	CADENA
10	PMT-000009	CATENA	58 LINKS	CHAIN	CHAINE	KETTE	CADENA
10	PMT-000010	CATENA	44 LINKS	CHAIN	CHAINE	KETTE	CADENA
10	PMT-000011	CATENA	55 LINKS	CHAIN	CHAINE	KETTE	CADENA
10	PMT-000012	CATENA	53 LINKS	CHAIN	CHAINE	KETTE	CADENA
10	PMT-000013	CATENA	43 LINKS	CHAIN	CHAINE	KETTE	CADENA
10	PMT-000014	CATENA	57 LINKS	CHAIN	CHAINE	KETTE	CADENA
10	PMT-000271	CATENA	38 LINKS	CHAIN	CHAINE	KETTE	CADENA
11	PMT-000007	MAGLIA DI GIUNZIONE	ASA 60	LOCKING LINK	MAILLON DE RACCORD	VERSCHLUSSGLIED	ESLABON DE CADENA
12	PMT-000005	LINGUETTA	10X8X50	KNOTTER TONGUE	LANGUETTE	KNOTERERZUNGE	LENGUETA
13	S1-30019	PIGNONE	Z14	SPROCKET	PIGNON	KEGELRAD	PIÑÓN
13	S1-30020	PIGNONE	Z15	SPROCKET	PIGNON	KEGELRAD	PIÑÓN
13	S1-30021	PIGNONE	Z16	SPROCKET	PIGNON	KEGELRAD	PIÑÓN
13	S1-30022	PIGNONE	Z17	SPROCKET	PIGNON	KEGELRAD	PIÑÓN
13	S1-30023	PIGNONE	Z18	SPROCKET	PIGNON	KEGELRAD	PIÑÓN
14	S1-10043	STAFFA TENDICATENA		CHAIN TENSION BRACKET	ETRIER TENSION CHAINE	KETTENSANDBLOCK BUEGEL	SOPORTE TENSOR DE CADENA



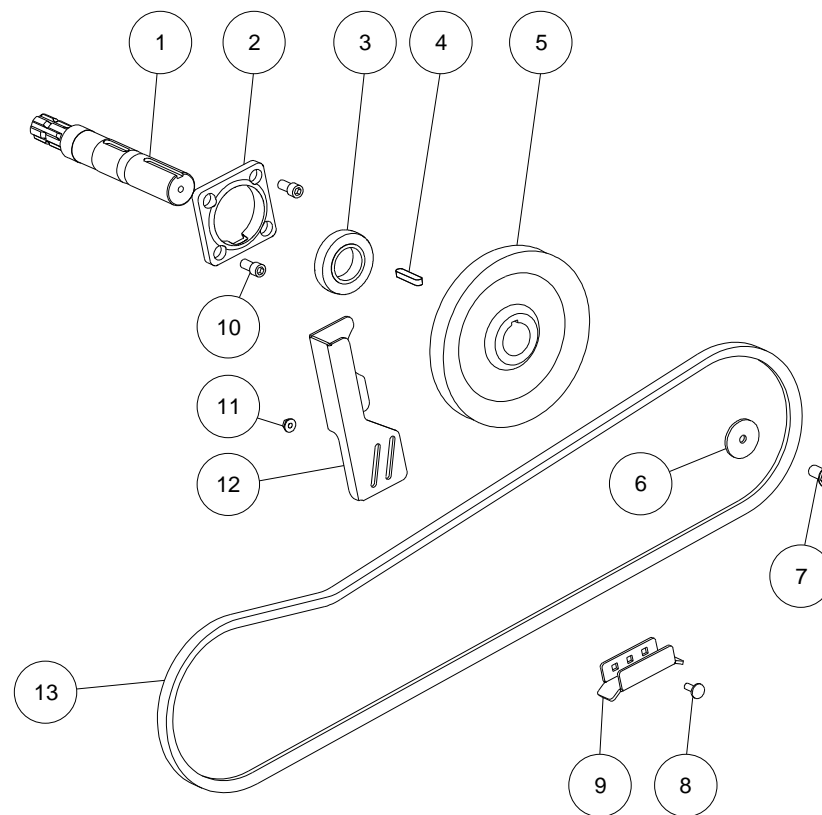
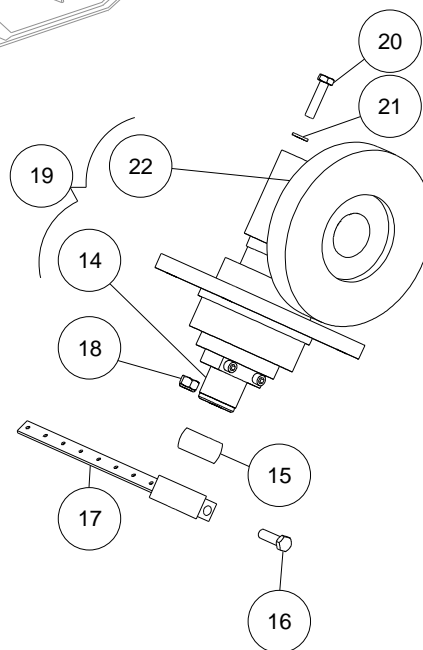
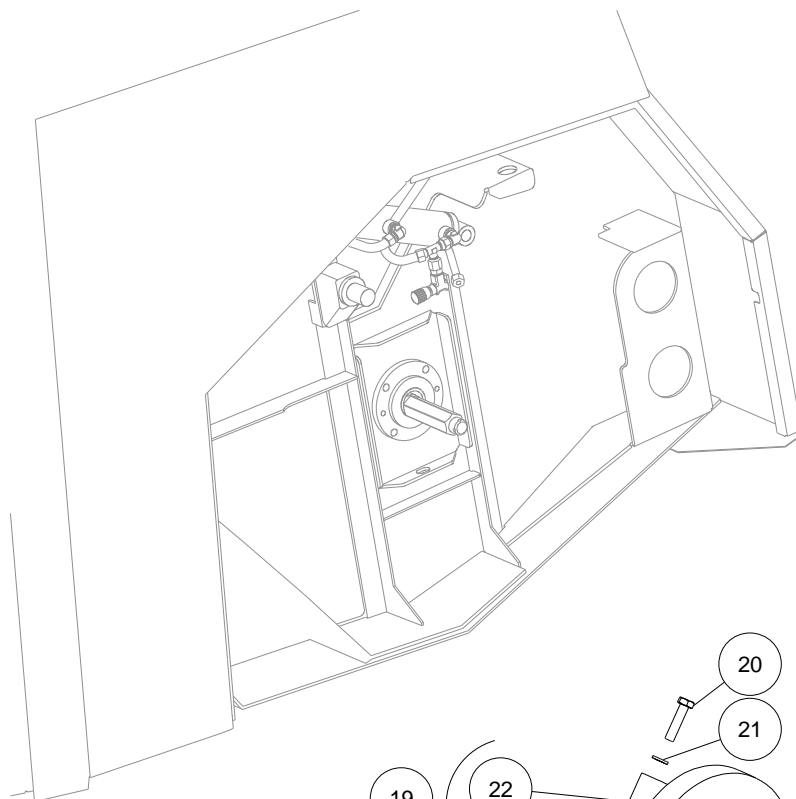
Pos	Code	Descrizione	Note	Description	Description	Beschreibung	Descripcìon
15	PMT-000006	LIMITATORE		CLUTCH	EMBAYAGE	KUPPLUNG	EMBRAGUE
16	S1-30024	INGRANAGGIO	Z62	GEAR	ROUE DENTEE	STINRAD	ENGRANAJE
16	S1-30025	INGRANAGGIO	Z50	GEAR	ROUE DENTEE	STINRAD	ENGRANAJE
16	S1-30026	INGRANAGGIO	Z45	GEAR	ROUE DENTEE	STINRAD	ENGRANAJE
17	PMF-000033	SPINA ELASTICA	5X40	SPRING CLIP	GOUPILLE ELASTIQUE	FEDERSTEKER	PASADOR ELASTICO
18	PMF-000028	VITE STEI	M10X20	GRUB SCREW	GOUPILLE	NUT	TORNILLO
19	S1-30061	PIASTRA		PLATE	PLAQUE	PLATTE	PLACA



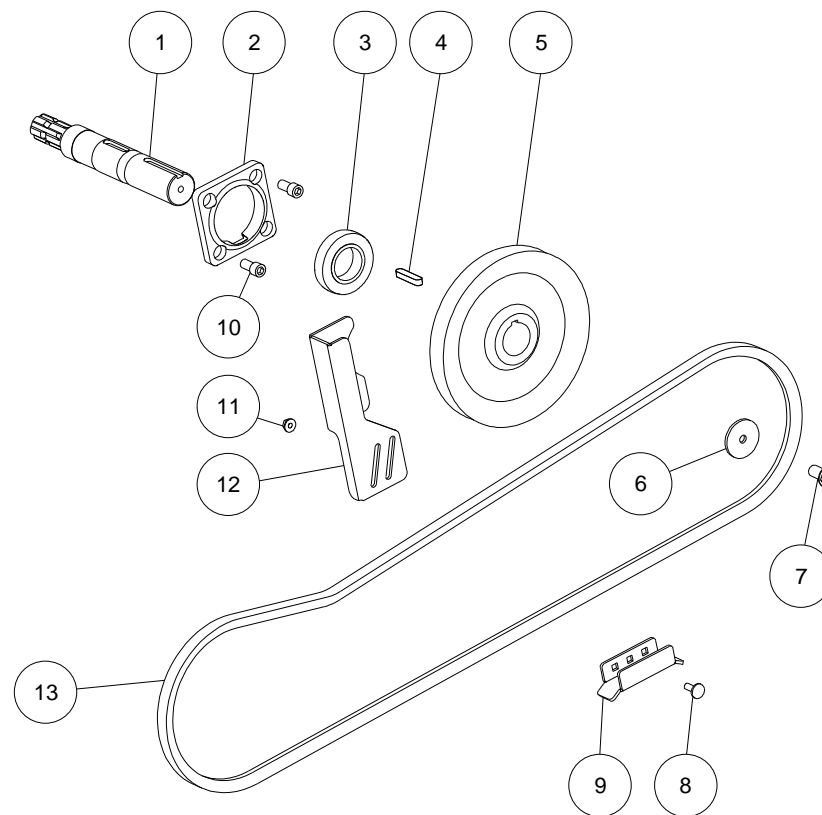
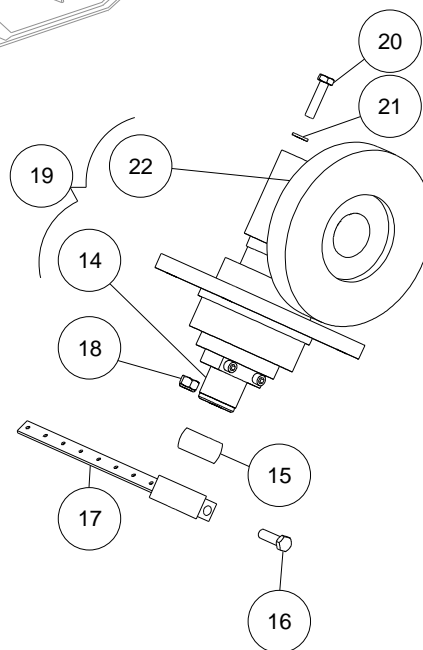
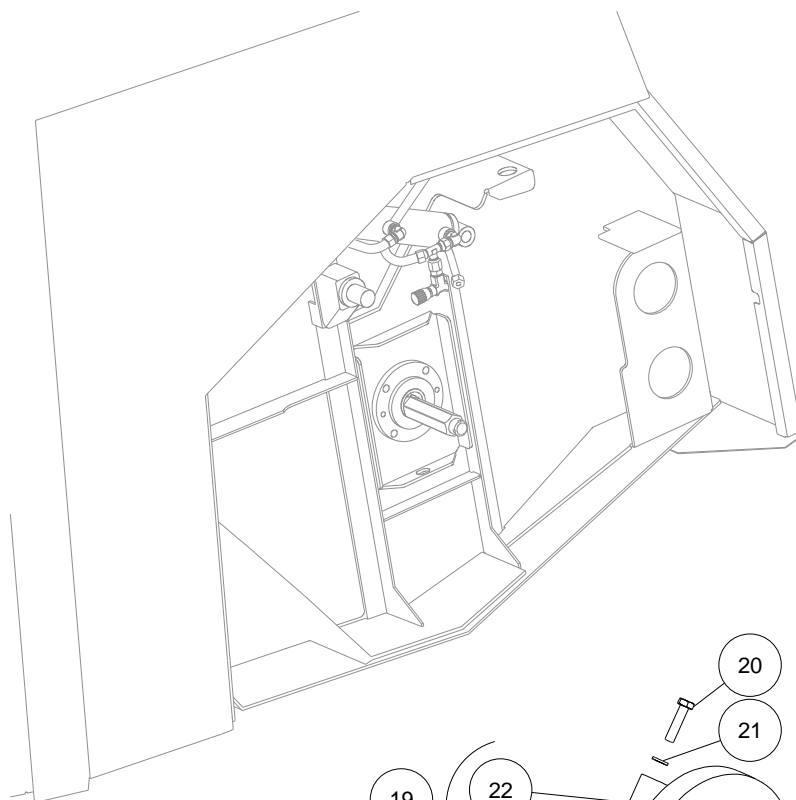
Pos	Code	Descrizione	Note	Description	Description	Beschreibung	Descripcìon
1	PMT-000004	PIGNONE		SPROCKET	PIGNON	KEGELRAD	PIÑÓN
2	S1-30018	BOCCOLA TENDICATENA		BUSHING	DOUILLE	BÜCHSE	HEVILLA
3	PMF-000029	VITE TBQS	M10X25	COACH SCREW	VIS A TETE BOMBEE	FLACHRUNDSCHRAUBE	TORNILLO
4	PMF-000030	DADO AD INTAGLI	M27X3	CASTELLATED NUTS	ECROU CRENELE'	KRONENMUTTER	TUERCA ALMENADA
5	PMF-000707	RONDELLA	28X60X6	WASHER	RONDELLE	SCHEIBE	ARANDELLA
6	PMF-000012	DADO TENSILOCK	M10	SECURING NUT TENSILOCK	ECROU TENSILOCK	SICHERUNGSMUTTER TENSILOCK	CONTRATUERCA TENSILOCK
7	PMF-000024	DADO AUTOBLOCCANTE	M12	SECURING NUT	ECROU INDESSERRAB	SICHERUNGSMUTTER	CONTRATUERCA
8	S1-20063	BOCCOLA		BUSHING	DOUILLE	BÜCHSE	HEVILLA
9	PMF-000032	VITE TBQS	M12X50	COACH SCREW	VIS A TETE BOMBEE	FLACHRUNDSCHRAUBE	TORNILLO
10	PMT-000008	CATENA	60 LINKS	CHAIN	CHAINE	KETTE	CADENA
10	PMT-000009	CATENA	58 LINKS	CHAIN	CHAINE	KETTE	CADENA
10	PMT-000010	CATENA	44 LINKS	CHAIN	CHAINE	KETTE	CADENA
10	PMT-000011	CATENA	55 LINKS	CHAIN	CHAINE	KETTE	CADENA
10	PMT-000012	CATENA	53 LINKS	CHAIN	CHAINE	KETTE	CADENA
10	PMT-000013	CATENA	43 LINKS	CHAIN	CHAINE	KETTE	CADENA
10	PMT-000014	CATENA	57 LINKS	CHAIN	CHAINE	KETTE	CADENA
10	PMT-000271	CATENA	38 LINKS	CHAIN	CHAINE	KETTE	CADENA
11	PMT-000007	MAGLIA DI GIUNZIONE	ASA 60	LOCKING LINK	MAILLON DE RACCORD	VERSCHLUSSGLIED	ESLABON DE CADENA
12	PMT-000005	LINGUETTA	10X8X50	KNOTTER TONGUE	LANGUETTE	KNOTERERZUNGE	LENGUETA
13	S1-30019	PIGNONE	Z14	SPROCKET	PIGNON	KEGELRAD	PIÑÓN
13	S1-30020	PIGNONE	Z15	SPROCKET	PIGNON	KEGELRAD	PIÑÓN
13	S1-30021	PIGNONE	Z16	SPROCKET	PIGNON	KEGELRAD	PIÑÓN
13	S1-30022	PIGNONE	Z17	SPROCKET	PIGNON	KEGELRAD	PIÑÓN
13	S1-30023	PIGNONE	Z18	SPROCKET	PIGNON	KEGELRAD	PIÑÓN
14	S1-10043	STAFFA TENDICATENA		CHAIN TENSION BRACKET	ETRIER TENSION CHAINE	KETTENSANNBLOCK BUEGEL	SOPORTE TENSOR DE CADENA



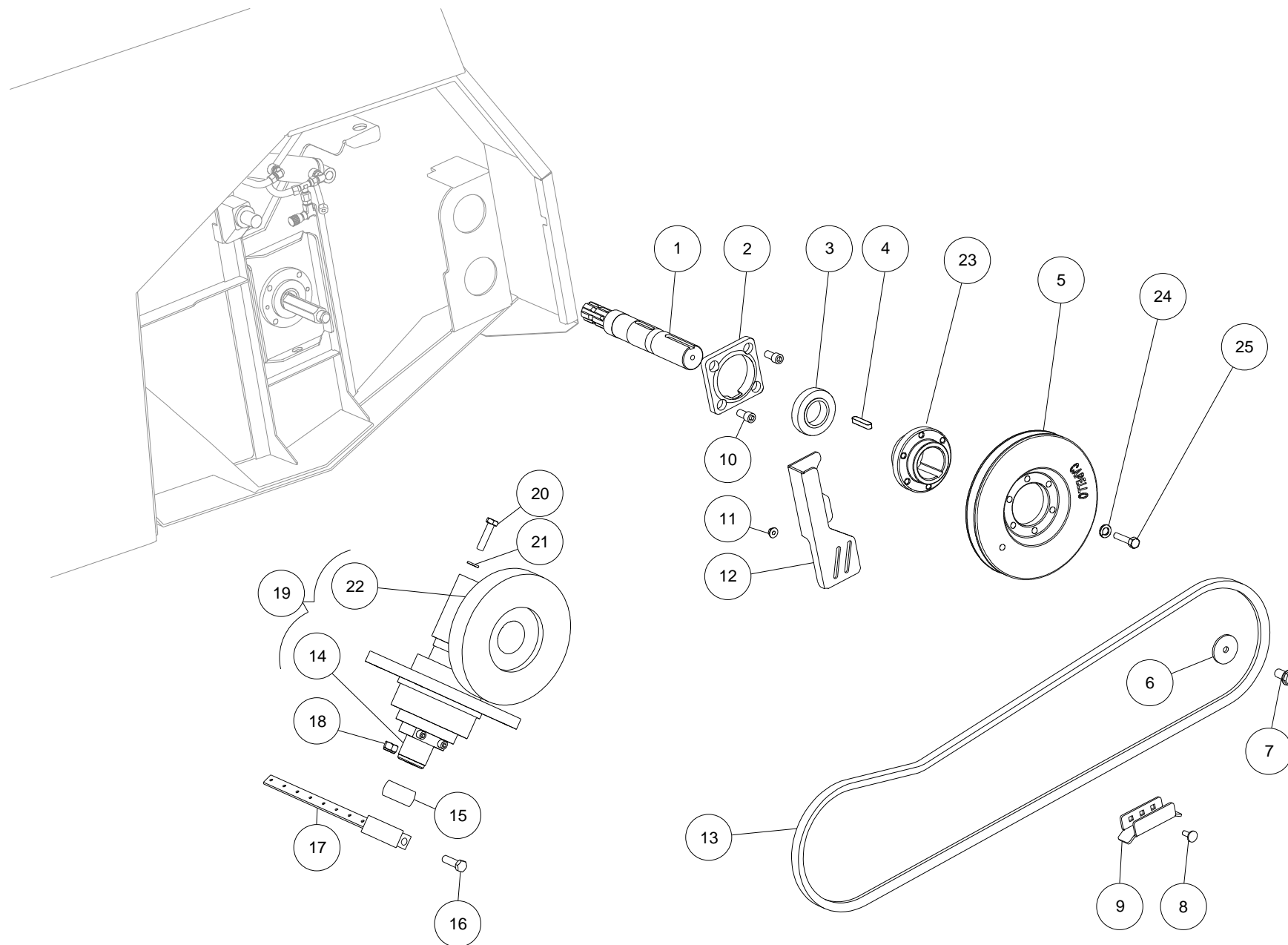
Pos	Code	Descrizione	Note	Description	Description	Beschreibung	Descripcìon
15	PMT-000375	LIMITATORE		CLUTCH	EMBAYAGE	KUPPLUNG	EMBRAGUE
16	S1-30136	INGRANAGGIO	Z62	GEAR	ROUE DENTEE	STINRAD	ENGRANAJE
16	S1-30138	INGRANAGGIO	Z50	GEAR	ROUE DENTEE	STINRAD	ENGRANAJE
17	PMF-000033	SPINA ELASTICA	5X40	SPRING CLIP	GOUPILLE ELASTIQUE	FEDERSTEKER	PASADOR ELASTICO
18	PMF-000028	VITE STEI	M10X20	GRUB SCREW	GOUPILLE	NUT	TORNILLO
19	S1-30061	PIASTRA		PLATE	PLAQUE	PLATTE	PLACA



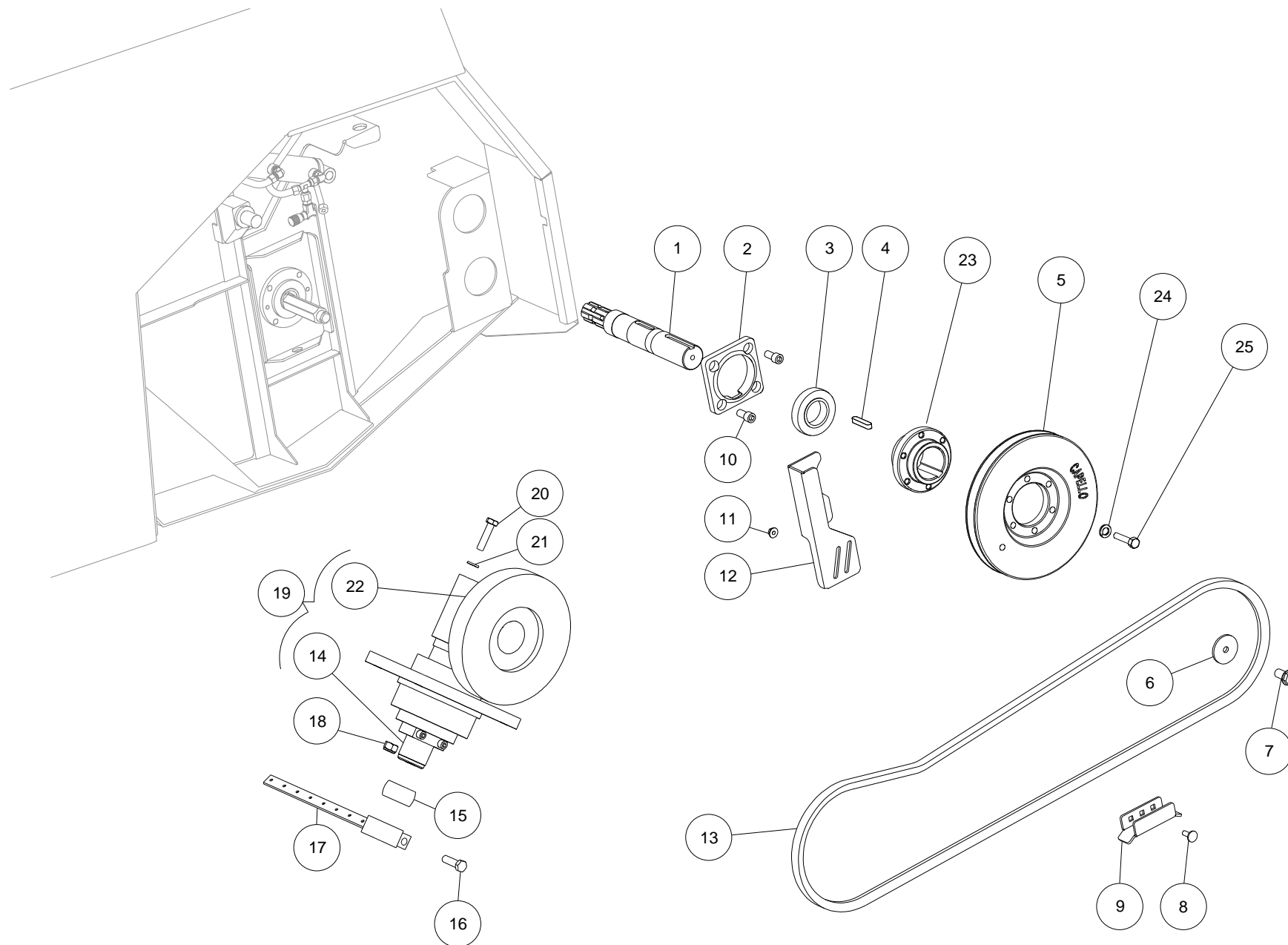
Pos	Code	Descrizione	Note	Description	Description	Beschreibung	Descripció
1	S1-30036	ALBERO		SHAFT	ARBRE	WELLE	EJE
2	S1-30035	SUPPORTO CUSCINETTO		SUPPORT BEARING	SUPPORT ROULEMENT	BUGELHALTER PENDELKUGELLAGEI	SOPORTE COJINETTE
3	PMS-000007	CUSCINETTO A SFERE		BALL BEARING	ROULEMENT A BILLES	KUGELLAGER	RODAMIENTO DE BOLAS
4	PMT-000020	LINGUETTA	10X8X60	KNOTTER TONGUE	LANGUETTE	KNOTERERZUNGE	LENGUETA
5	S1-30037	PULEGGIA (205 mm)	CLAAS	V-BELT PULLEY (205 mm)	POULIE TRAPEZIOIDALE (205 mm)	KEILRIEMENSCHLEIBE (205 mm)	POLEA (205 mm)
5	S1-30038	PULEGGIA (250 mm)	JD Z/2000	V-BELT PULLEY (250 mm)	POULIE TRAPEZIOIDALE (250 mm)	KEILRIEMENSCHLEIBE (250 mm)	POLEA (250 mm)
5	S1-30038	PULEGGIA (250 mm)	ROSTSELMASH	V-BELT PULLEY (250 mm)	POULIE TRAPEZIOIDALE (250 mm)	KEILRIEMENSCHLEIBE (250 mm)	POLEA (250 mm)
5	S1-30038	PULEGGIA (250 mm)	NH CR/CS/TC	V-BELT PULLEY (250 mm)	POULIE TRAPEZIOIDALE (250 mm)	KEILRIEMENSCHLEIBE (250 mm)	POLEA (250 mm)
5	S1-30040	PULEGGIA (273 mm)	NH TX/TC (old)/TF	V-BELT PULLEY (273 mm)	POULIE TRAPEZIOIDALE (273 mm)	KEILRIEMENSCHLEIBE (273 mm)	POLEA (273 mm)
5	S1-30040	PULEGGIA (273 mm)	CASE IH	V-BELT PULLEY (273 mm)	POULIE TRAPEZIOIDALE (273 mm)	KEILRIEMENSCHLEIBE (273 mm)	POLEA (273 mm)
5	S1-30040	PULEGGIA (273 mm)	JD CWS/STSAWTS/CTS/T	V-BELT PULLEY (273 mm)	POULIE TRAPEZIOIDALE (273 mm)	KEILRIEMENSCHLEIBE (273 mm)	POLEA (273 mm)
5	S1-30041	PULEGGIA (230 mm)	AGCO	V-BELT PULLEY (230 mm)	POULIE TRAPEZIOIDALE (230 mm)	KEILRIEMENSCHLEIBE (230 mm)	POLEA (230 mm)
6	PMF-000049	RONDELLA	10X45X6	WASHER	RONDELLE	SCHEIBE	ARANDELLA
7	PMF-000040	VITE TENSILOCK	M10X25	SECURING SCREW TENSILOCK	VIS TENSILOCK	SCHRAUBE TENSILOCK	TORNILLO TENSILOCK
8	PMF-000017	VITE TBQS	M8X20	COACH SCREW	VIS A TETE BOMBEE	FLACHRUNDSCHRAUBE	TORNILLO
9	S1-30042	GUIDA CINGHIA		BELT GUIDE	GUIDE-COURROIE	RIEMENFUEHRUNG	GUIA DE CORREA
10	PMF-000046	VITE TCEI	M12X25	SOCKET HEAD SCREW	VIS CYLINDRIQUE	ZYLINDERSCHRAUBE	TORNILLO
11	PMF-000016	DADO TENSILOCK	M8	SECURING NUT TENSILOCK	ECROU TENSILOCK	SICHERUNGSMUTTER TENSILOCK	CONTRATUERCA TENSILOCK
12	S1-30043	SUPPORTO		BRACKET	SUPPORT	ABSTUZZUNG	SOPORTE
13	PMT-000021	CINGHIA	CASE IH	BELT	COURROIE	RIEMEN	CORREA
13	PMT-000021	CINGHIA	JOHN DEERE	BELT	COURROIE	RIEMEN	CORREA
13	PMT-000023	CINGHIA	NEW HOLLAND	BELT	COURROIE	RIEMEN	CORREA
13	PMT-000141	CINGHIA	CLAAS	BELT	COURROIE	RIEMEN	CORREA
13	PMT-000141	CINGHIA	ROSTSELMASH	BELT	COURROIE	RIEMEN	CORREA
13	PMT-000216	CINGHIA	AGCO	BELT	COURROIE	RIEMEN	CORREA



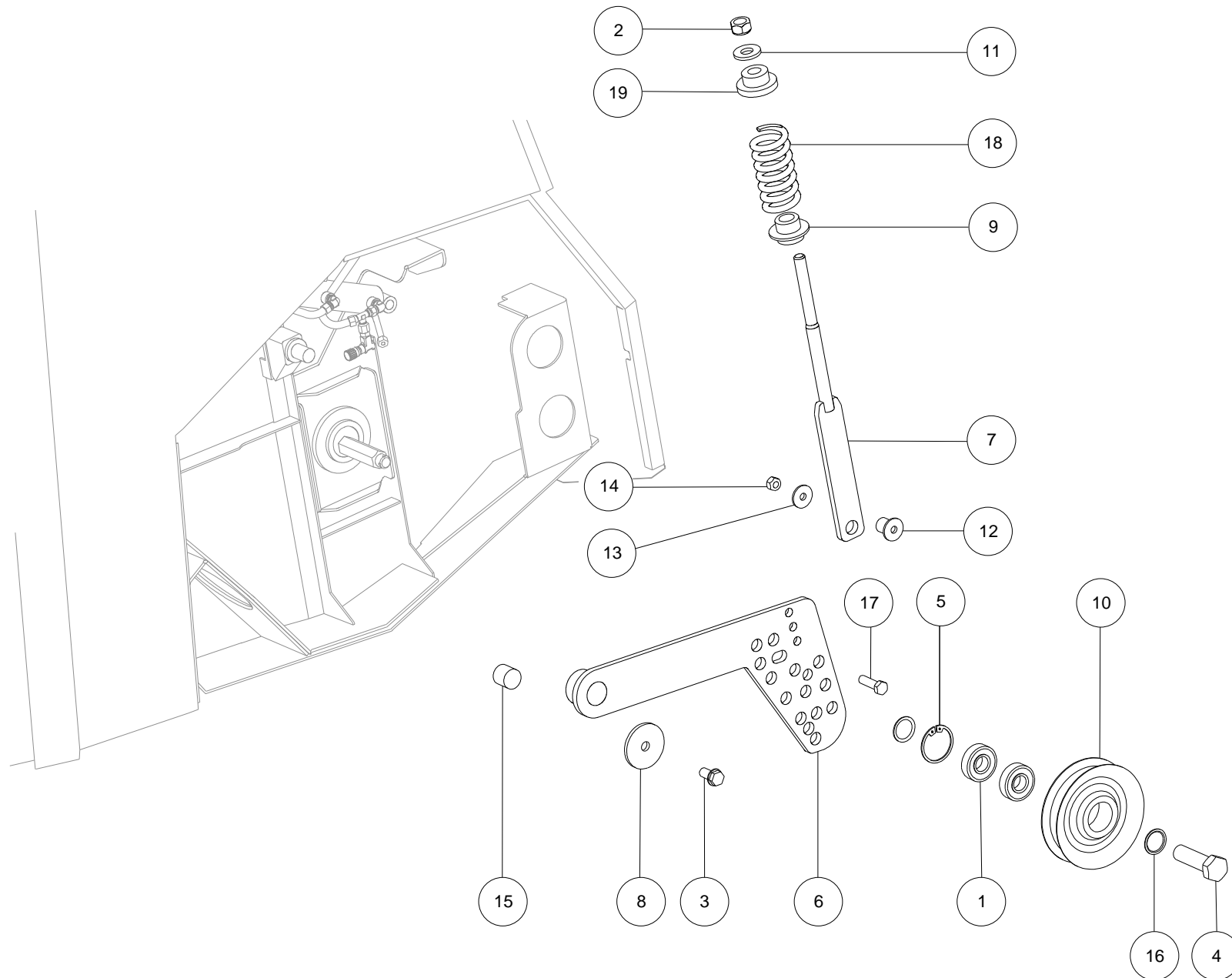
Pos	Code	Descrizione	Note	Description	Description	Beschreibung	Descripcìon
14	PMS-000008	CUSCINETTO A SFERE		BALL BEARING	ROULEMENT A BILLES	KUGELLAGER	RODAMIENTO DE BOLAS
15	PMT-000025	SNODO		JOINT	ARTICULATION	GELENK	ARTICULACION
16	PMF-000050	VITE TENSILOCK	M12X45	SECURING SCREW TENSILOCK	VIS TENSILOCK	SCHRAUBE TENSILOCK	TORNILLO TENSILOCK
17	S1-30044	BIELLA		CONNECTING ROD	BIELLE	SCHUBSTANGE	BARRA DE EMPUJE
18	PMF-000024	DADO AUTOBLOCCANTE	M12	SECURING NUT	ECROU INDESSERRAB	SICHERUNGSMUTTER	CONTRATUERCA
19	PMG-000001	SCATOLA DI TRASMISSIONE		GEARBOX	BOITIER D'ENTRAINEMENT	GETRIEBE	CAJA ENGRANAJE
20	PMF-000037	VITE TE	M12X50	HEXAGONAL SCREW	VIS SIX PANS	SECHSKANTSCHRAUBE	TORNILLO
21	PMF-000051	RONDELLA	13X22X3	WASHER	RONDELLE	SCHEIBE	ARANDELLA
22	PMT-000026	PULEGGIA (200 mm)	JD Z/2000	V-BELT PULLEY (200 mm)	POULIE TRAPEZIOIDALE (200 mm)	KEILRIEMENSCHIEBE (200 mm)	POLEA (200 mm)
22	PMT-000026	PULEGGIA (200 mm)	ROSTSELMASH	V-BELT PULLEY (200 mm)	POULIE TRAPEZIOIDALE (200 mm)	KEILRIEMENSCHIEBE (200 mm)	POLEA (200 mm)
22	PMT-000026	PULEGGIA (200 mm)	NH TX/TC (old)/TF	V-BELT PULLEY (200 mm)	POULIE TRAPEZIOIDALE (200 mm)	KEILRIEMENSCHIEBE (200 mm)	POLEA (200 mm)
22	PMT-000027	PULEGGIA (240 mm)	CLAAS	V-BELT PULLEY (240 mm)	POULIE TRAPEZIOIDALE (240 mm)	KEILRIEMENSCHIEBE (240 mm)	POLEA (240 mm)
22	PMT-000027	PULEGGIA (240 mm)	NH CR/CS/TC	V-BELT PULLEY (240 mm)	POULIE TRAPEZIOIDALE (240 mm)	KEILRIEMENSCHIEBE (240 mm)	POLEA (240 mm)
22	PMT-000027	PULEGGIA (240 mm)	JD CWS/STS/WTS/CTS/T	V-BELT PULLEY (240 mm)	POULIE TRAPEZIOIDALE (240 mm)	KEILRIEMENSCHIEBE (240 mm)	POLEA (240 mm)
22	PMT-000027	PULEGGIA (240 mm)	CASE IH	V-BELT PULLEY (240 mm)	POULIE TRAPEZIOIDALE (240 mm)	KEILRIEMENSCHIEBE (240 mm)	POLEA (240 mm)
22	PMT-000027	PULEGGIA (240 mm)	AGCO	V-BELT PULLEY (240 mm)	POULIE TRAPEZIOIDALE (240 mm)	KEILRIEMENSCHIEBE (240 mm)	POLEA (240 mm)



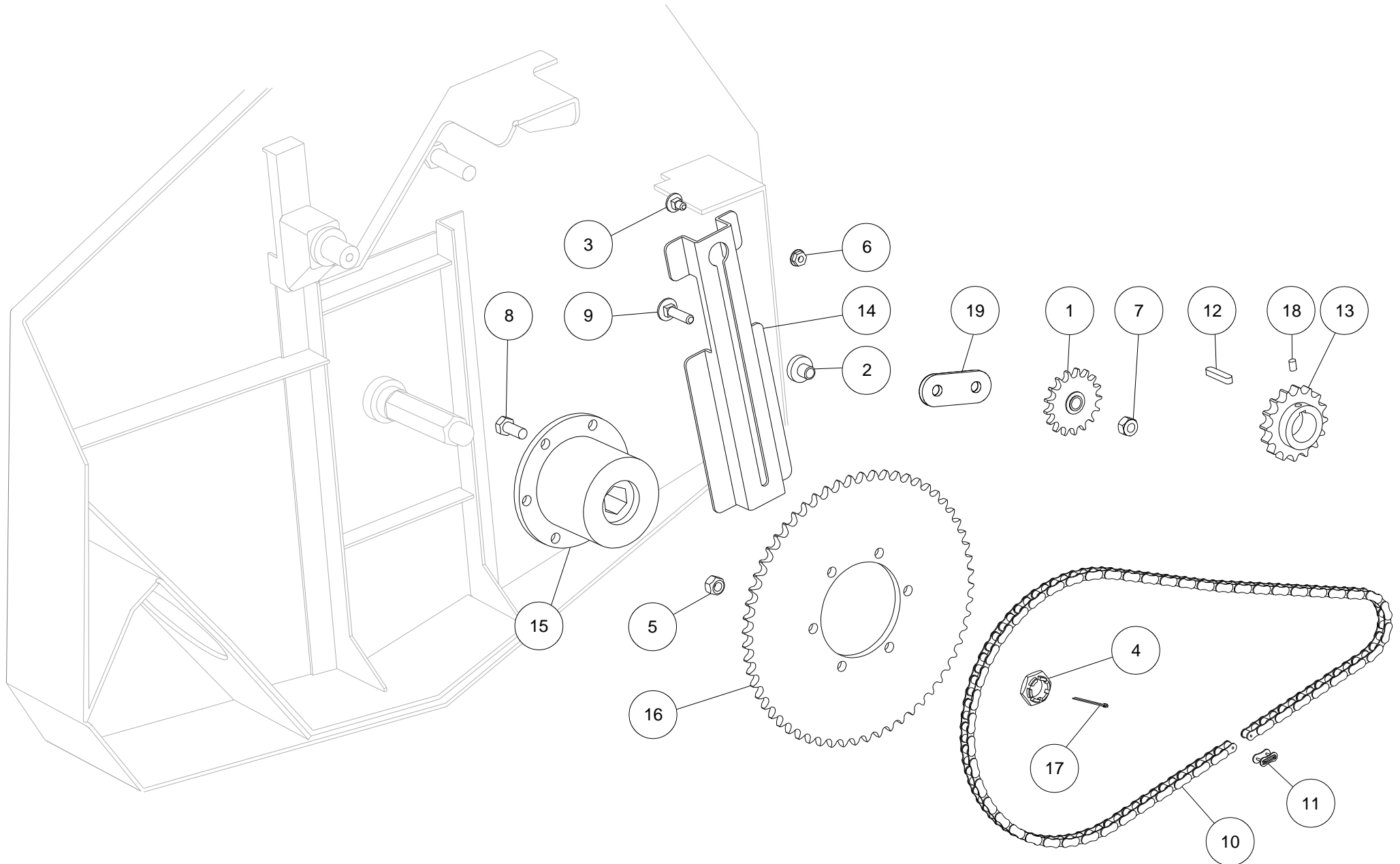
Pos	Code	Descrizione	Note	Description	Description	Beschreibung	Descripción
1	S1-30036	ALBERO		SHAFT	ARBRE	WELLE	EJE
2	S1-30035	SUPPORTO CUSCINETTO		SUPPORT BEARING	SUPPORT ROULEMENT	BUGELHALTER PENDELKUGELLAGEI	SOPORTE COJINETTE
3	PMS-000007	CUSCINETTO A SFERE		BALL BEARING	ROULEMENT A BILLES	KUGELLAGER	RODAMIENTO DE BOLAS
4	PMT-000020	LINGUETTA	10X8X60	KNOTTER TONGUE	LANGUETTE	KNOTERERZUNGE	LENGUETA
5	S1-30048	PULEGGIA	JD CWS/STS/WTS/CTS/T	V-BELT PULLEY	POULIE TRAPEZIOIDALE	KEILRIEMENSCHLEIBE	POLEA
5	S1-30065	PULEGGIA (205 mm)	CLAAS	V-BELT PULLEY (205 mm)	POULIE TRAPEZIOIDALE (205 mm)	KEILRIEMENSCHLEIBE (205 mm)	POLEA (205 mm)
5	S1-30066	PULEGGIA (265 mm)	JD Z/2000	V-BELT PULLEY (265 mm)	POULIE TRAPEZIOIDALE (265 mm)	KEILRIEMENSCHLEIBE (265 mm)	POLEA (265 mm)
5	S1-30066	PULEGGIA (265 mm)	NH TX/TC (old)/TF	V-BELT PULLEY (265 mm)	POULIE TRAPEZIOIDALE (265 mm)	KEILRIEMENSCHLEIBE (265 mm)	POLEA (265 mm)
5	S1-30066	PULEGGIA (265 mm)	NH CR/CS/TC	V-BELT PULLEY (265 mm)	POULIE TRAPEZIOIDALE (265 mm)	KEILRIEMENSCHLEIBE (265 mm)	POLEA (265 mm)
5	S1-30066	PULEGGIA (265 mm)	ROSTSELMASH	V-BELT PULLEY (265 mm)	POULIE TRAPEZIOIDALE (265 mm)	KEILRIEMENSCHLEIBE (265 mm)	POLEA (265 mm)
5	S1-30066	PULEGGIA (265 mm)	AGCO	V-BELT PULLEY (265 mm)	POULIE TRAPEZIOIDALE (265 mm)	KEILRIEMENSCHLEIBE (265 mm)	POLEA (265 mm)
6	PMF-000049	RONDELLA	10X45X6	WASHER	RONDELLE	SCHEIBE	ARANDELLA
7	PMF-000040	VITE TENSILOCK	M10X25	SECURING SCREW TENSILOCK	VIS TENSILOCK	SCHRAUBE TENSILOCK	TORNILLO TENSILOCK
8	PMF-000017	VITE TBQS	M8X20	COACH SCREW	VIS A TETE BOMBEE	FLACHRUNDSCHRAUBE	TORNILLO
9	S1-30042	GUIDA CINGHIA		BELT GUIDE	GUIDE-COURROIE	RIEMENFUEHRUNG	GUIA DE CORREA
10	PMF-000046	VITE TCEI	M12X25	SOCKET HEAD SCREW	VIS CYLINDRIQUE	ZYLINDERSCHRAUBE	TORNILLO
11	PMF-000016	DADO TENSILOCK	M8	SECURING NUT TENSILOCK	ECROU TENSILOCK	SICHERUNGSMUTTER TENSILOCK	CONTRATUERCA TENSILOCK
12	S1-30043	SUPPORTO		BRACKET	SUPPORT	ABSTUZZUNG	SOPORTE
13	PMT-000021	CINGHIA	CASE IH	BELT	COURROIE	RIEMEN	CORREA
13	PMT-000021	CINGHIA	JOHN DEERE	BELT	COURROIE	RIEMEN	CORREA
13	PMT-000023	CINGHIA	NEW HOLLAND	BELT	COURROIE	RIEMEN	CORREA
13	PMT-000141	CINGHIA	ROSTSELMASH	BELT	COURROIE	RIEMEN	CORREA
13	PMT-000141	CINGHIA	CLAAS	BELT	COURROIE	RIEMEN	CORREA
13	PMT-000216	CINGHIA	AGCO	BELT	COURROIE	RIEMEN	CORREA
14	PMS-000008	CUSCINETTO A SFERE		BALL BEARING	ROULEMENT A BILLES	KUGELLAGER	RODAMIENTO DE BOLAS



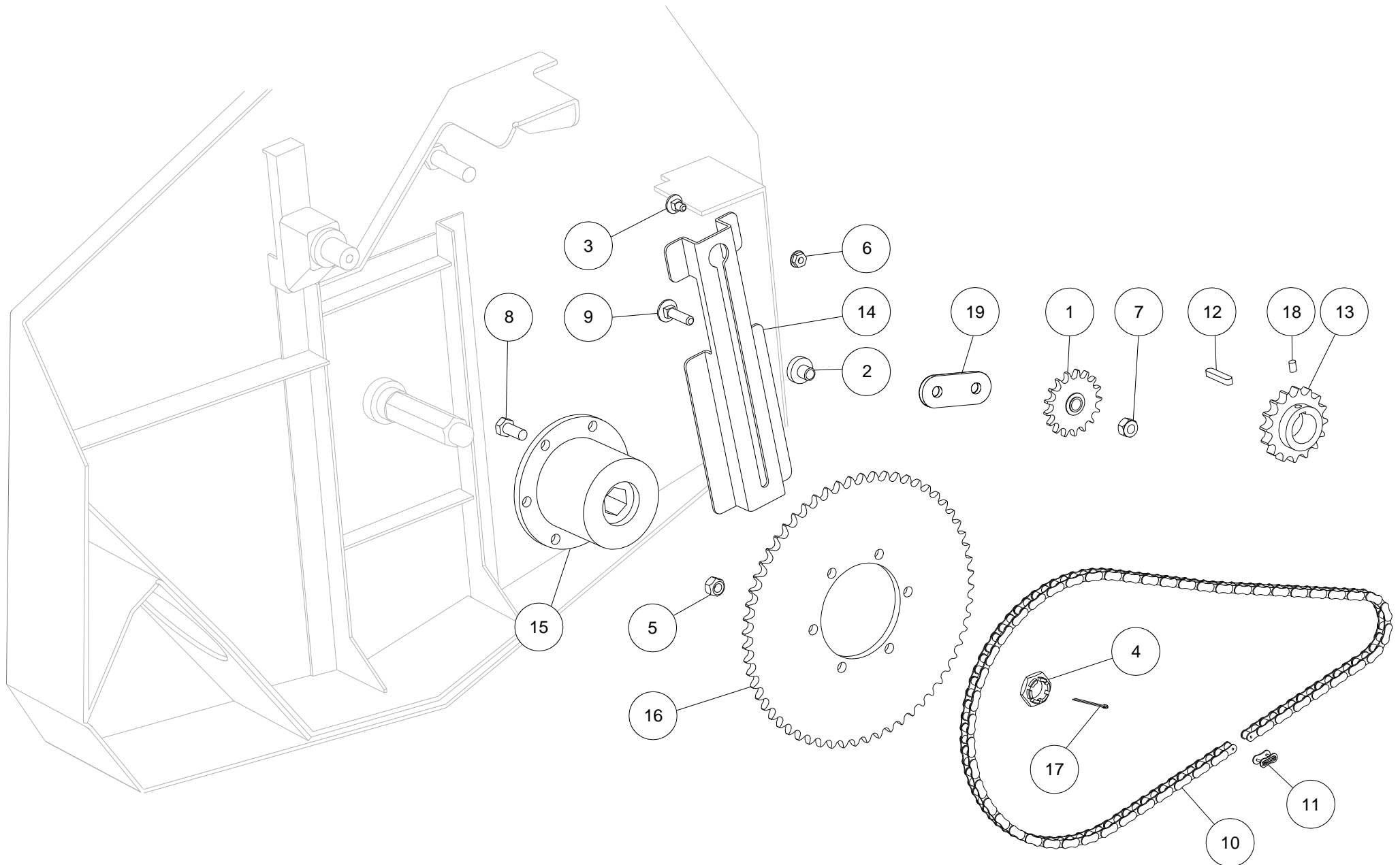
Pos	Code	Descrizione	Note	Description	Description	Beschreibung	Descripcìon
15	PMT-000025	SNODO		JOINT	ARTICULATION	GELENK	ARTICULACION
16	PMF-000050	VITE TENSILOCK	M12X45	SECURING SCREW TENSILOCK	VIS TENSILOCK	SCHRAUBE TENSILOCK	TORNILLO TENSILOCK
17	S1-30044	BIELLA		CONNECTING ROD	BIELLE	SCHUBSTANGE	BARRA DE EMPUJE
18	PMF-000024	DADO AUTOBLOCCANTE	M12	SECURING NUT	ECROU INDESSERRAB	SICHERUNGSMUTTER	CONTRATUERCA
19	PMG-000001	SCATOLA DI TRASMISSIONE		GEARBOX	BOITIER D'ENTRAINEMENT	GETRIEBE	CAJA ENGRANAJE
20	PMF-000037	VITE TE	M12X50	HEXAGONAL SCREW	VIS SIX PANS	SECHSKANTSCHRAUBE	TORNILLO
21	PMF-000051	RONDELLA	13X22X3	WASHER	RONDELLE	SCHEIBE	ARANDELLA
22	PMT-000026	PULEGGIA (200 mm)	ROSTSELMASH	V-BELT PULLEY (200 mm)	POULIE TRAPEZIOIDALE (200 mm)	KEILRIEMENSCHLEIBE (200 mm)	POLEA (200 mm)
22	PMT-000026	PULEGGIA (200 mm)	NH TX/TC (old)/TF	V-BELT PULLEY (200 mm)	POULIE TRAPEZIOIDALE (200 mm)	KEILRIEMENSCHLEIBE (200 mm)	POLEA (200 mm)
22	PMT-000026	PULEGGIA (200 mm)	JD Z/2000	V-BELT PULLEY (200 mm)	POULIE TRAPEZIOIDALE (200 mm)	KEILRIEMENSCHLEIBE (200 mm)	POLEA (200 mm)
22	PMT-000027	PULEGGIA (240 mm)	CLAAS	V-BELT PULLEY (240 mm)	POULIE TRAPEZIOIDALE (240 mm)	KEILRIEMENSCHLEIBE (240 mm)	POLEA (240 mm)
22	PMT-000027	PULEGGIA (240 mm)	NH CR/CS/TC	V-BELT PULLEY (240 mm)	POULIE TRAPEZIOIDALE (240 mm)	KEILRIEMENSCHLEIBE (240 mm)	POLEA (240 mm)
22	PMT-000027	PULEGGIA (240 mm)	JD CWS/STS/WTS/CTS/T	V-BELT PULLEY (240 mm)	POULIE TRAPEZIOIDALE (240 mm)	KEILRIEMENSCHLEIBE (240 mm)	POLEA (240 mm)
22	PMT-000027	PULEGGIA (240 mm)	CASE IH	V-BELT PULLEY (240 mm)	POULIE TRAPEZIOIDALE (240 mm)	KEILRIEMENSCHLEIBE (240 mm)	POLEA (240 mm)
22	PMT-000027	PULEGGIA (240 mm)	AGCO	V-BELT PULLEY (240 mm)	POULIE TRAPEZIOIDALE (240 mm)	KEILRIEMENSCHLEIBE (240 mm)	POLEA (240 mm)
23	10.1267.00	MOZZO		HUB	MOYEU	NABE	CUBO
24	PMF-000530	RONDELLA ELASTICA GROWER		WASHER	RONDELLE	SCHEIBE	ARANDELLA
25	PMF-000694	VITE TE	M8X40	HEXAGONAL SCREW	VIS SIX PANS	SECHSKANTSCHRAUBE	TORNILLO



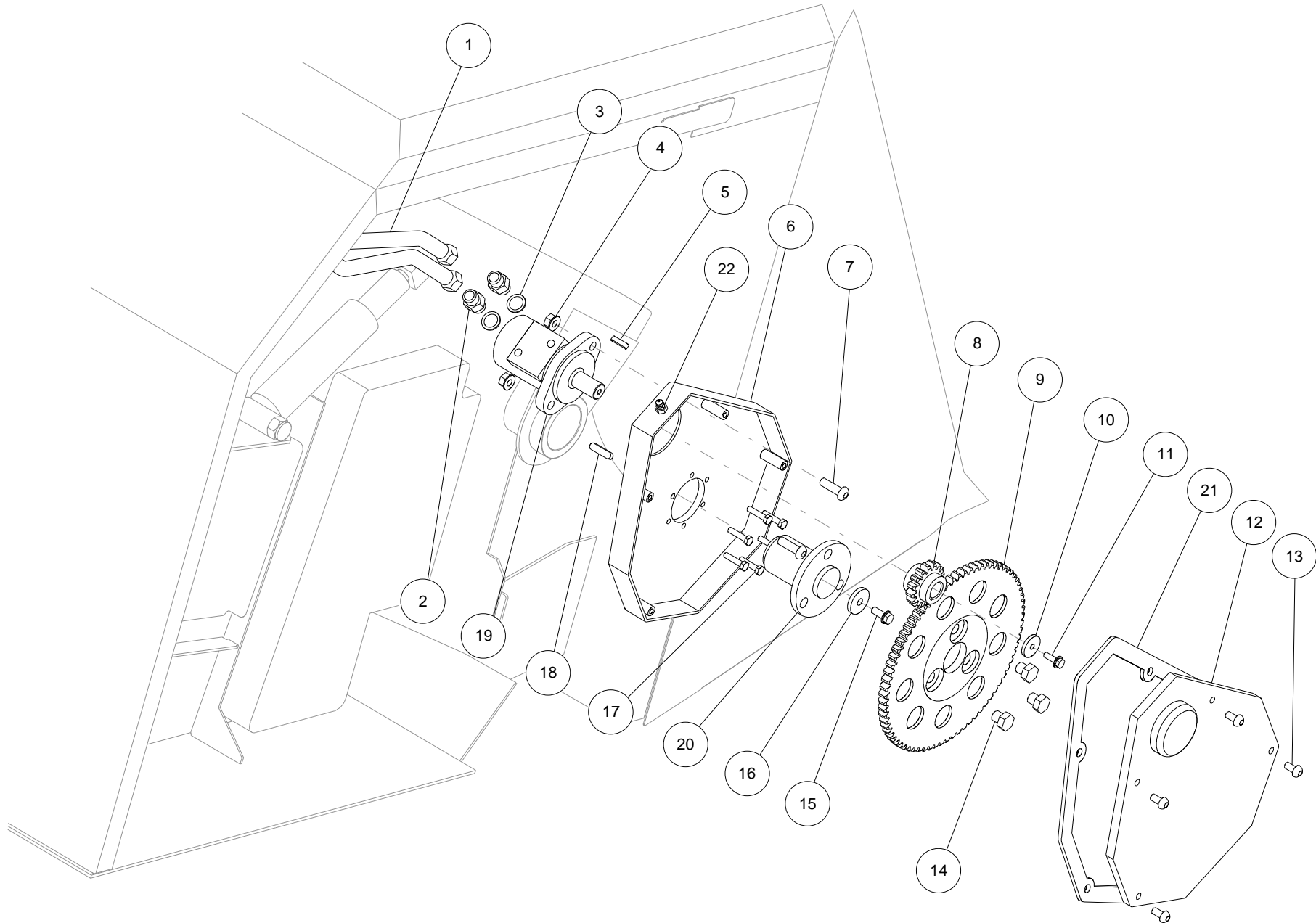
Pos	Code	Descrizione	Note	Description	Description	Beschreibung	Descripcìon
1	PMS-000009	CUSCINETTO A SFERE		BALL BEARING	ROULEMENT A BILLES	KUGELLAGER	RODAMIENTO DE BOLAS
2	PMF-000052	DADO AUTOBLOCCANTE	M16	SECURING NUT	ECROU INDESSERRAB	SICHERUNGSMUTTER	CONTRATUERCA
3	PMF-000053	VITE TENSILOCK	M12X25	SECURING SCREW TENSILOCK	VIS TENSILOCK	SCHRAUBE TENSILOCK	TORNILLO TENSILOCK
4	PMF-000054	VITE TE	M20X70	HEXAGONAL SCREW	VIS SIX PANS	SECHSKANTSCHRAUBE	TORNILLO
5	PMF-000055	ANELLO ELASTICO	47X1,75	CIRCLIP	CIRCLIP	SICHERUNGSRING	ANILLO ELASTICO
6	S2-30004	STAFFA TENDICINGHIA		BRACKET TENSIONER	ETRIER TENDEUR	KETTENSANNBLOCK BUEGEL	SOPORTE TENSOR
7	S2-30005	TIRANTE		ROD	TIRANT	STANGE	TIRANDO
8	PMF-000056	RONDELLA	12X60X5	WASHER	RONDELLE	SCHEIBE	ARANDELLA
9	S1-30047	BOCCOLA		BUSHING	DOUILLE	BÜCHSE	HEVILLA
10	S1-30048	PULEGGIA		V-BELT PULLEY	POULIE TRAPEZIOIDALE	KEILRIEMENSCHIEBE	POLEA
11	PMF-000057	RONDELLA	16X40X4	WASHER	RONDELLE	SCHEIBE	ARANDELLA
12	S1-30049	NOTTOLINO		PAWL	CLIQUET	BÜCHSE	TOPE
13	PMF-000036	RONDELLA	12X30X3	WASHER	RONDELLE	SCHEIBE	ARANDELLA
14	PMF-000024	DADO AUTOBLOCCANTE	M12	SECURING NUT	ECROU INDESSERRAB	SICHERUNGSMUTTER	CONTRATUERCA
15	PMS-000010	BRONZINA AUTOLUBRIFICANTE		BUSHING	DOUILLE	BÜCHSE	HEVILLA
16	PMF-000051	RONDELLA	13X23X3	WASHER	RONDELLE	SCHEIBE	ARANDELLA
17	PMF-000037	VITE TE	M12X50	HEXAGONAL SCREW	VIS SIX PANS	SECHSKANTSCHRAUBE	TORNILLO
18	S1-30050	MOLLA		COMPRESS SPRING	RESSORT	DRUCKFEDER	MUELLE
19	S1-30051	GUIDA MOLLA TENDICINGHIA		BUSHING	DOUILLE	BÜCHSE	HEVILLA



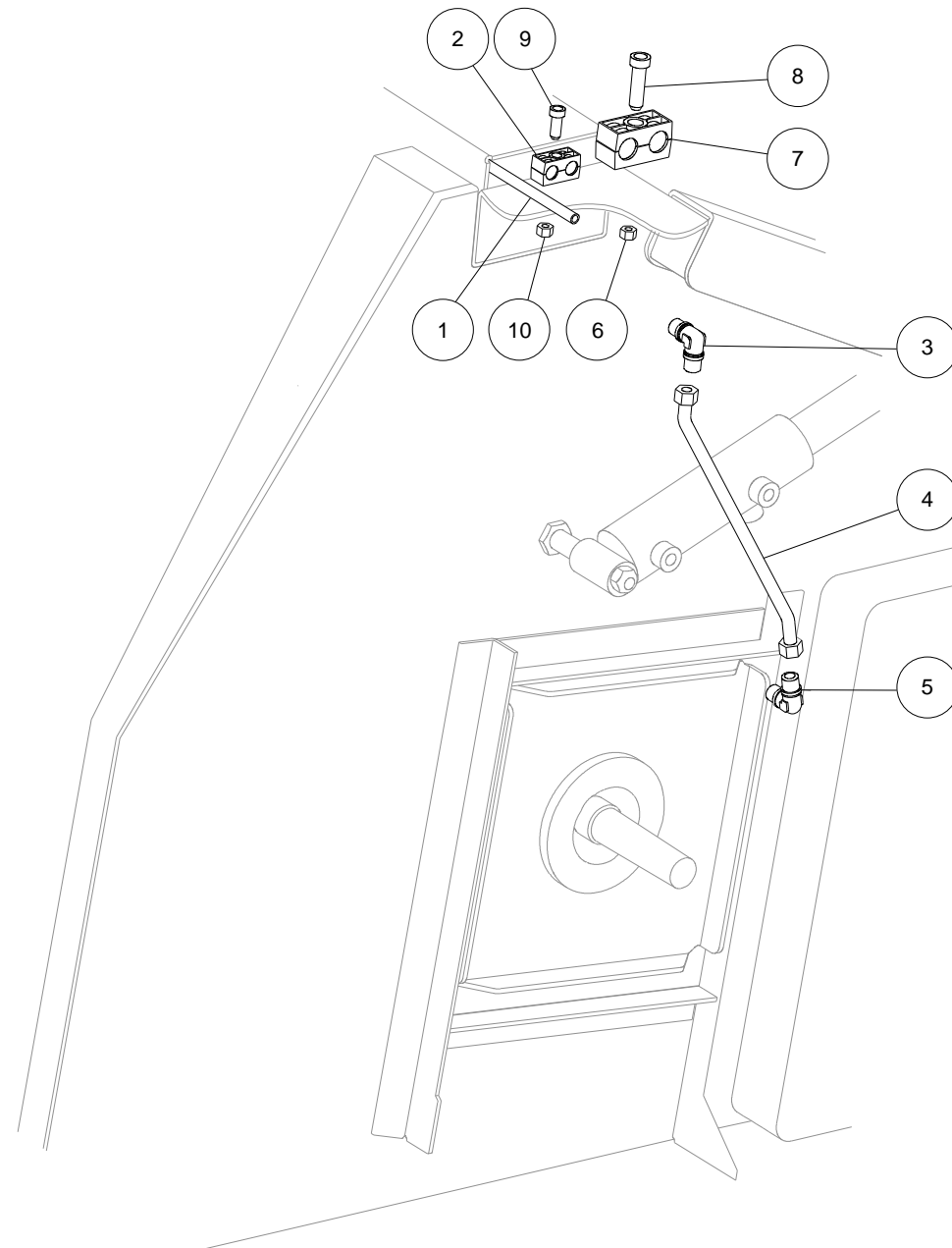
Pos	Code	Descrizione	Note	Description	Description	Beschreibung	Descripcìon
1	PMT-000004	PIGNONE		SPROCKET	PIGNON	KEGELRAD	PIÑÓN
2	S1-30018	BOCCOLA TENDICATENA		BUSHING	DOUILLE	BÜCHSE	HEVILLA
3	PMF-000029	VITE TBQS	M10X25	COACH SCREW	VIS A TETE BOMBEE	FLACHRUNDSCHRAUBE	TORNILLO
4	PMF-000030	DADO AD INTAGLI	M27X3	CASTELLATED NUTS	ECROU CRENELE'	KRONENMUTTER	TUERCA ALMENADA
5	PMF-000031	DADO AUTOBLOCCANTE	M14	SECURING NUT	ECROU INDESSERRAB	SICHERUNGSMUTTER	CONTRATUERCA
6	PMF-000012	DADO TENSILOCK	M10	SECURING NUT TENSILOCK	ECROU TENSILOCK	SICHERUNGSMUTTER TENSILOCK	CONTRATUERCA TENSILOCK
7	PMF-000024	DADO AUTOBLOCCANTE	M12	SECURING NUT	ECROU INDESSERRAB	SICHERUNGSMUTTER	CONTRATUERCA
8	PMF-000021	VITE TE	M14X35	HEXAGONAL SCREW	VIS SIX PANS	SECHSKANTSCHRAUBE	TORNILLO
9	PMF-000032	VITE TBQS	M12X50	COACH SCREW	VIS A TETE BOMBEE	FLACHRUNDSCHRAUBE	TORNILLO
10	PMT-000008	CATENA	60 LINKS	CHAIN	CHAINE	KETTE	CADENA
10	PMT-000009	CATENA	58 LINKS	CHAIN	CHAINE	KETTE	CADENA
10	PMT-000010	CATENA	44 LINKS	CHAIN	CHAINE	KETTE	CADENA
10	PMT-000011	CATENA	55 LINKS	CHAIN	CHAINE	KETTE	CADENA
10	PMT-000012	CATENA	53 LINKS	CHAIN	CHAINE	KETTE	CADENA
10	PMT-000013	CATENA	43 LINKS	CHAIN	CHAINE	KETTE	CADENA
10	PMT-000014	CATENA	57 LINKS	CHAIN	CHAINE	KETTE	CADENA
10	PMT-000271	CATENA	38 LINKS	CHAIN	CHAINE	KETTE	CADENA
11	PMT-000007	MAGLIA DI GIUNZIONE	ASA 60	LOCKING LINK	MAILLON DE RACCORD	VERSCHLUSSGLIED	ESLABON DE CADENA
12	PMT-000005	LINGUETTA	10X8X50	KNOTTER TONGUE	LANGUETTE	KNOTERERZUNGE	LENGUETA
13	S1-30019	PIGNONE	Z14	SPROCKET	PIGNON	KEGELRAD	PIÑÓN
13	S1-30020	PIGNONE	Z15	SPROCKET	PIGNON	KEGELRAD	PIÑÓN
13	S1-30021	PIGNONE	Z16	SPROCKET	PIGNON	KEGELRAD	PIÑÓN
13	S1-30022	PIGNONE	Z17	SPROCKET	PIGNON	KEGELRAD	PIÑÓN
13	S1-30023	PIGNONE	Z18	SPROCKET	PIGNON	KEGELRAD	PIÑÓN
14	S1-10043	STAFFA TENDICATENA		CHAIN TENSION BRACKET	ETRIER TENSION CHAINE	KETTENSANDBLOCK BUEGEL	SOPORTE TENSOR DE CADENA



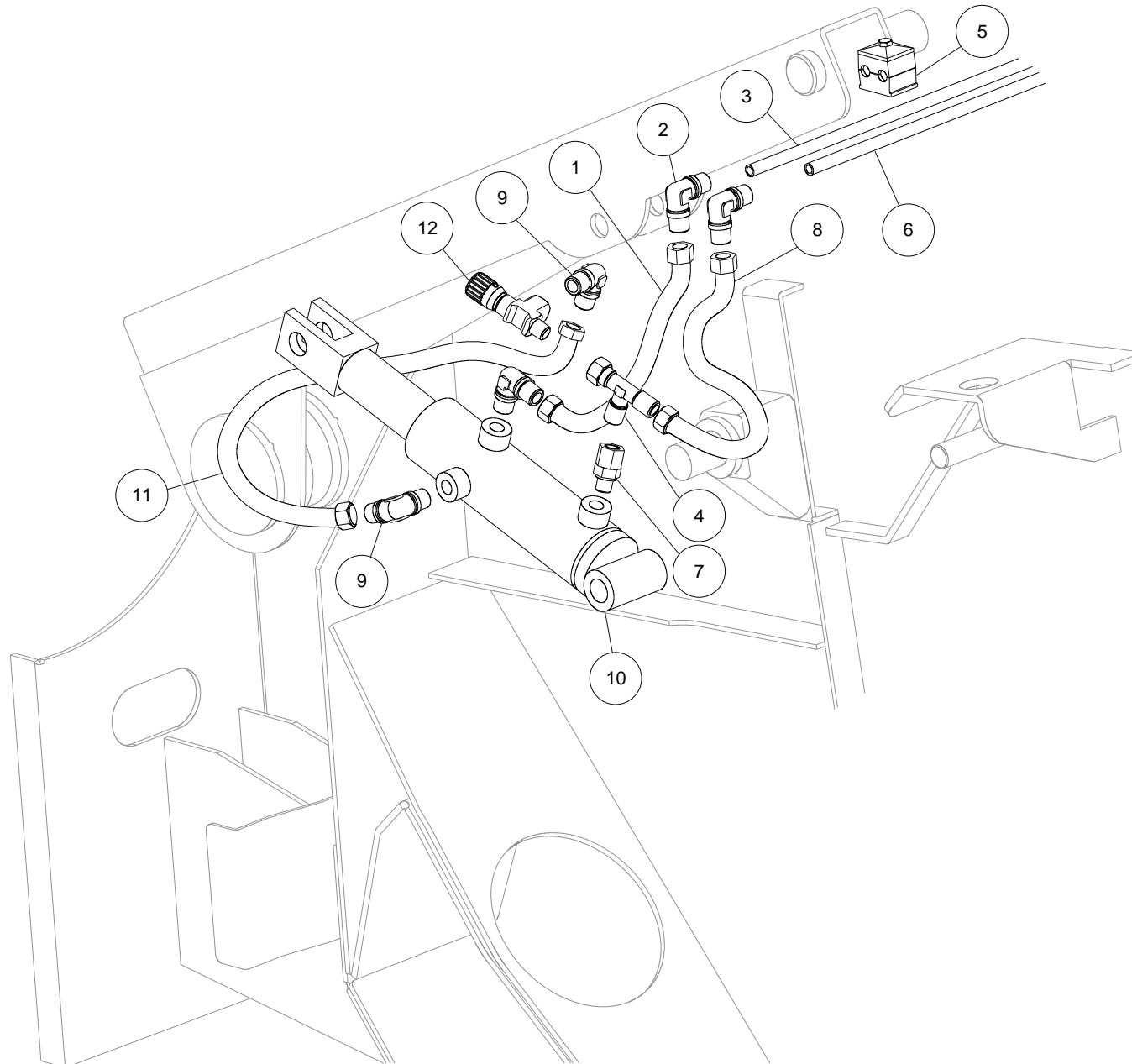
Pos	Code	Descrizione	Note	Description	Description	Beschreibung	Descripción
15	PMT-000006	LIMITATORE		CLUTCH	EMBAYAGE	KUPPLUNG	EMBRAGUE
16	S1-30024	INGRANAGGIO	Z62	GEAR	ROUE DENTEE	STINRAD	ENGRANAJE
16	S1-30025	INGRANAGGIO	Z50	GEAR	ROUE DENTEE	STINRAD	ENGRANAJE
16	S1-30026	INGRANAGGIO	Z45	GEAR	ROUE DENTEE	STINRAD	ENGRANAJE
17	PMF-000033	SPINA ELASTICA	5X40	SPRING CLIP	GOUPILLE ELASTIQUE	FEDERSTEKER	PASADOR ELASTICO
18	PMF-000028	VITE STEI	M10X20	GRUB SCREW	GOUPILLE	NUT	TORNILLO
19	S1-30061	PIASTRA		PLATE	PLAQUE	PLATTE	PLACA



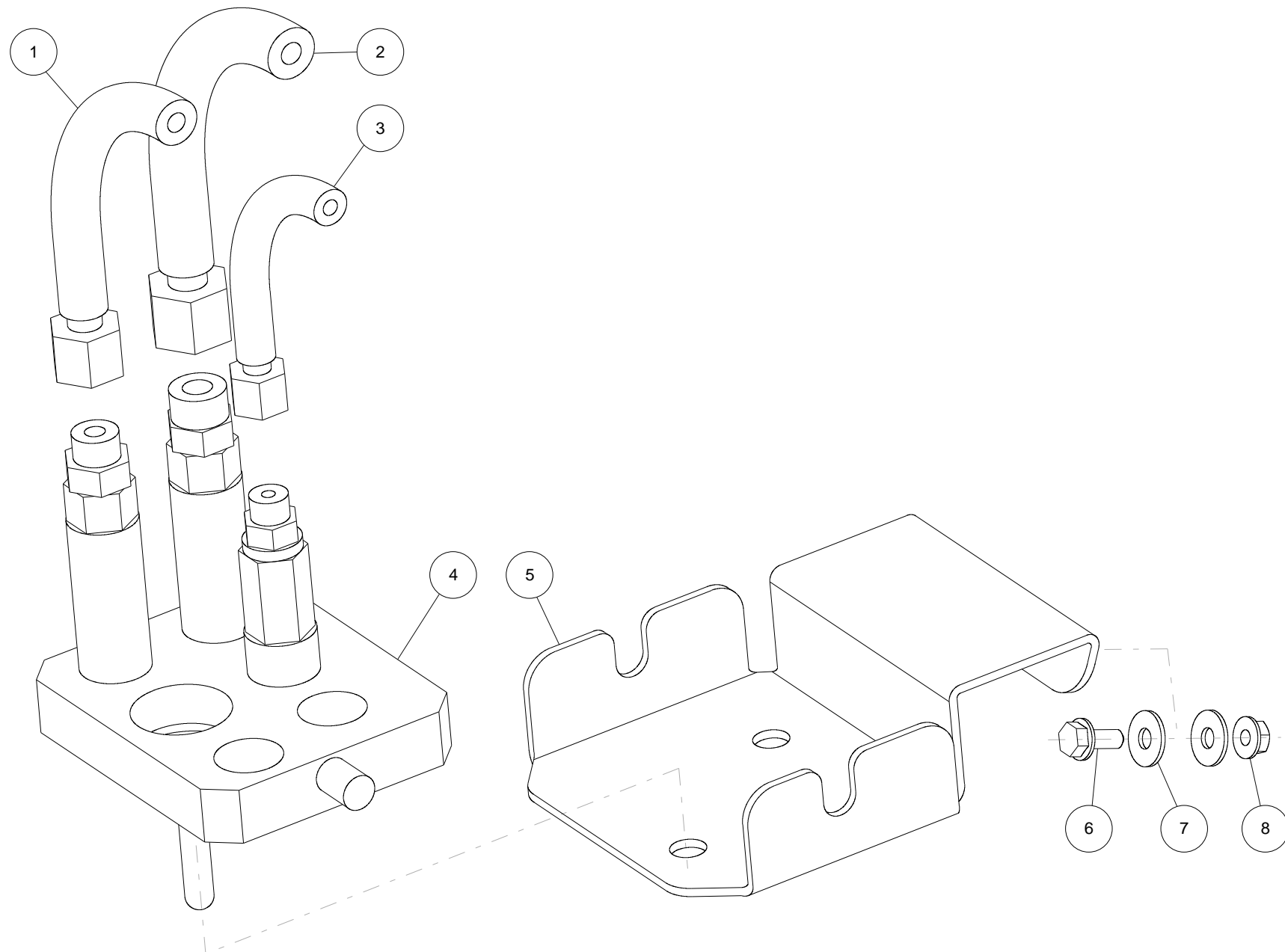
Pos	Code	Descrizione	Note	Description	Description	Beschreibung	Descripció
1	S1-70015	TUBO FLESSIBILE	7500	HYDRAULIC PIPE	TUBE FLEXIBLE	SCHLAUCH	TUBO
1	S1-70016	TUBO FLESSIBILE	9400/12000	HYDRAULIC PIPE	TUBE FLEXIBLE	SCHLAUCH	TUBO
1	S1-70026	TUBO FLESSIBILE	5700	HYDRAULIC PIPE	TUBE FLEXIBLE	SCHLAUCH	TUBO
2	PO-000082	RACCORDO		CONNECTOR	RACCORD	ANSCHLUSSSTUTZEN	RACOR
3	PO-000130	RONDELLA BONDED	1/2"	BONDED SEALS	RONDELLE BONDED	SCHEIBE	ARANDELLA
4	PMF-000060	DADO TENSILOCK	M12	SECURING NUT TENSILOCK	ECROU TENSILOCK	SICHERUNGSMUTTER TENSILOCK	CONTRATUERCA TENSILOCK
5	PMT-000060	LINGUETTA	8X7X30	KNOTTER TONGUE	LANGUETTE	KNOTERERZUNGE	LENGUETA
6	S2-80023	SCATOLA LATERALE TRASMISSIONE		TRANSMISSION BOX	BOITIER D'ENTRAINEMENT	GETRIEBE	CAJA LATERAL DE TRANSMISIÓN
7	PMF-000464	VITE TBEI	M12X40	COACH SCREW	VIS A TETE BOMBEE	FLACHRUNDSCHRAUBE	TORNILLO
8	S1-80043	PIGNONE	M4 Z16	SPROCKET	PIGNON	KEGELRAD	PIÑÓN
9	S1-80042	INGRANAGGIO	M4 Z75	GEAR	ROUE DENTEE	STINRAD	ENGRANAJE
10	S1-80068	RONDELLA	8X35X5	WASHER	RONDELLE	SCHEIBE	ARANDELLA
11	PMF-000041	VITE TENSILOCK	M8X25	SECURING SCREW TENSILOCK	VIS TENSILOCK	SCHRAUBE TENSILOCK	TORNILLO TENSILOCK
12	S2-80024	TAPPO SCATOLA DI TRASMISSIONE		COVER	COUVERCLE	DECKEL	CUBIERTA
13	PMF-000158	VITE TBEI	M10X20	COACH SCREW	VIS A TETE BOMBEE	FLACHRUNDSCHRAUBE	TORNILLO
14	PMF-000590	VITE TE	M16X20	HEXAGONAL SCREW	VIS SIX PANS	SECHSKANTSCHRAUBE	TORNILLO
15	PMF-000040	VITE TENSILOCK	M10X25	SECURING SCREW TENSILOCK	VIS TENSILOCK	SCHRAUBE TENSILOCK	TORNILLO TENSILOCK
16	S1-80067	RONDELLA	11X41X6	WASHER	RONDELLE	SCHEIBE	ARANDELLA
17	PMF-000383	VITE TE	M8X35	HEXAGONAL SCREW	VIS SIX PANS	SECHSKANTSCHRAUBE	TORNILLO
18	PMT-000017	LINGUETTA	10X8X40	KNOTTER TONGUE	LANGUETTE	KNOTERERZUNGE	LENGUETA
19	PO-000178	MOTORE IDRAULICO		HYDRAULIC MOTOR	MOTEUR HYDRALIQUE	HYDRAULIKMOTOR	MOTOR HIDRAULICO
20	S1-30029	MOZZO DI TRASMISSIONE		HUB	MOYEU	NABE	CUBO
21	10.2603.00	GUARNIZIONE PER CARTER		RUBBER RING	ANNEAU DE CAOUTCHOUC	GUMMIRING	ANILLO
22	PMF-000176	INGRASSATORE		GREASE NIPPLE	GRAISSEUR	SCHMIERNIPPEL	ENGRASADOR



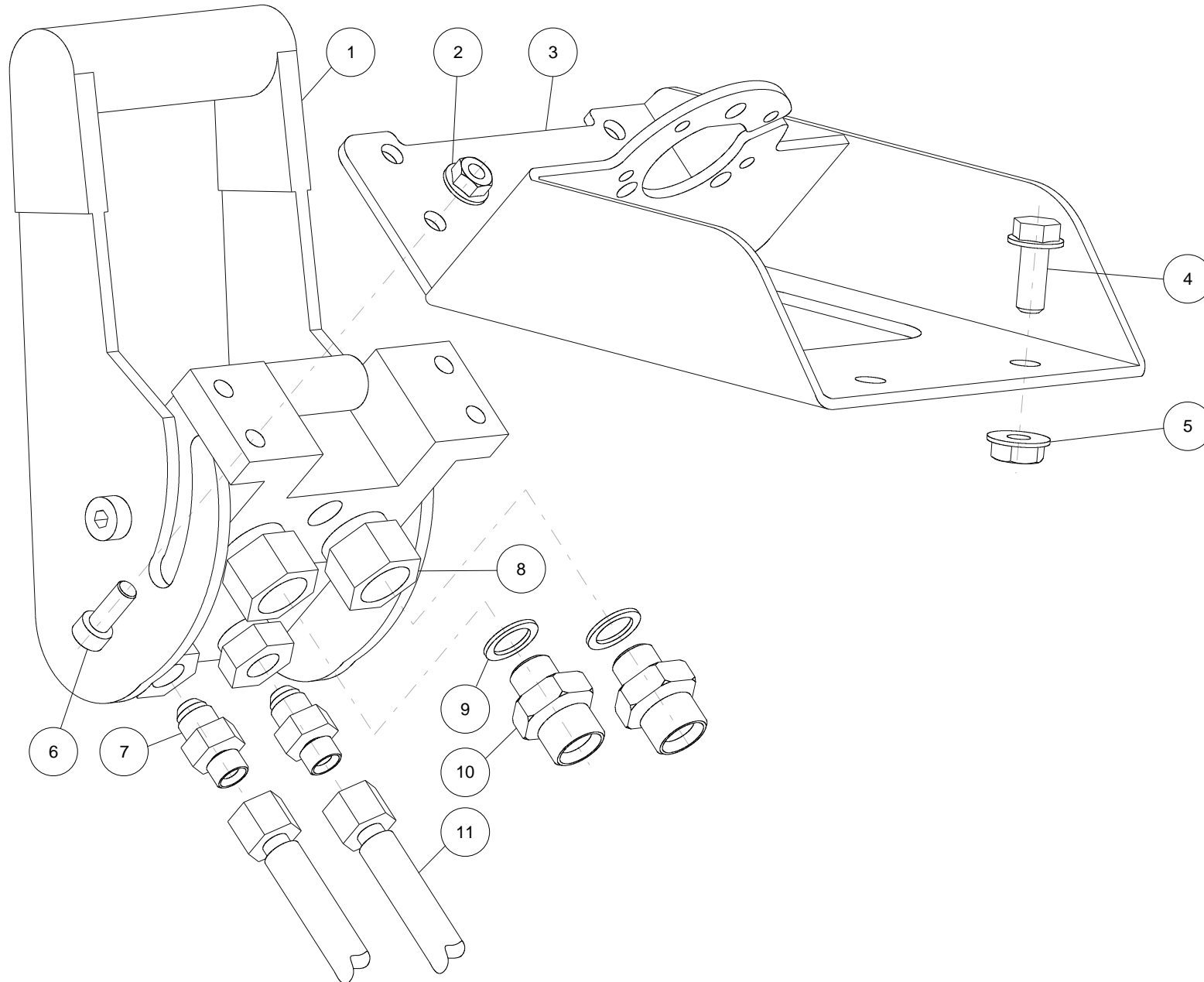
Pos	Code	Descrizione	Note	Description	Description	Beschreibung	Descripción
1	S1-70007	TUBO	9400/12000	TUBE	TUBE	SCHLAUCH	TUBO
1	S1-70009	TUBO	7500	TUBE	TUBE	SCHLAUCH	TUBO
1	S1-70027	TUBO	5700	TUBE	TUBE	SCHLAUCH	TUBO
2	PO-000010	COLLARE DOPPIO		DUOBLE CLAMP	SUPPORT	BUGELHALTER	SOPORTE
3	PO-000074	RACCORDO		CONNECTOR	RACCORD	ANSCHLUSSSTUTZEN	RACOR
4	S1-70001	TUBO FLESSIBILE	L=700	HYDRAULIC PIPE	TUBE FLEXIBLE	SCHLAUCH	TUBO
5	PO-000072	RACCORDO ANGOLARE		ANGLE UNION	RACCORD ANGULAIRE	ANSCHLUSSSTUTZEN	CONEXION
6	PMF-000026	DADO AUTOBLOCCANTE	M8	SECURING NUT	ECROU INDESSERRAB	SICHERUNGSMUTTER	CONTRATUERCA
7	PO-000132	COLLARE DOPPIO		DUOBLE CLAMP	SUPPORT	BUGELHALTER	SOPORTE
8	PMF-000262	VITE TCEI	M8X55	SOCKET HEAD SCREW	VIS CYLINDRIQUE	ZYLINDERSCHRAUBE	TORNILLO
9	PMF-000425	VITE TCEI	M6X35	SOCKET HEAD SCREW	VIS CYLINDRIQUE	ZYLINDERSCHRAUBE	TORNILLO
10	PMF-000015	DADO AUTOBLOCCANTE	M6	SECURING NUT	ECROU INDESSERRAB	SICHERUNGSMUTTER	CONTRATUERCA



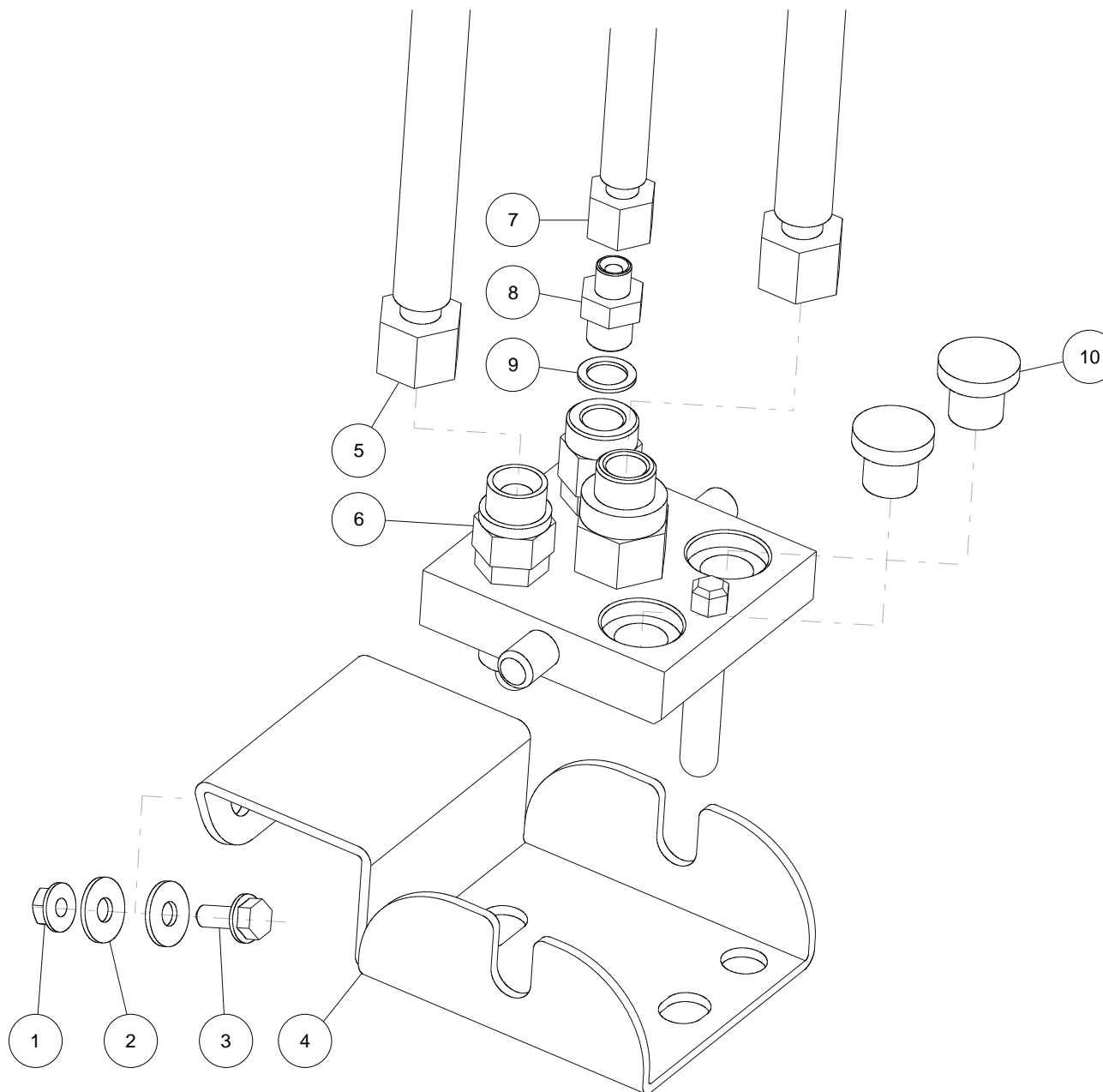
Pos	Code	Descrizione	Note	Description	Description	Beschreibung	Descripcìon
1	S1-70001	TUBO FLESSIBILE	L=700	HYDRAULIC PIPE	TUBE FLEXIBLE	SCHLAUCH	TUBO
2	PO-000074	RACCORDO		CONNECTOR	RACCORD	ANSCHLUSSSTUTZEN	RACOR
3	S1-70007	TUBO	9400	TUBE	TUBE	SCHLAUCH	TUBO
3	S1-70009	TUBO	7500	TUBE	TUBE	SCHLAUCH	TUBO
3	S1-70027	TUBO	5700	TUBE	TUBE	SCHLAUCH	TUBO
4	PO-000008	RACCORDO A T		CONNECTOR	RACCORD	ANSCHLUSSSTUTZEN	RACOR
5	PO-000010	COLLARE DOPPIO		DUOBLE CLAMP	SUPPORT	BUGELHALTER	SOPORTE
6	S1-70006	TUBO	9400//12000	TUBE	TUBE	SCHLAUCH	TUBO
6	S1-70008	TUBO	7500	TUBE	TUBE	SCHLAUCH	TUBO
6	S1-70028	TUBO	5700	TUBE	TUBE	SCHLAUCH	TUBO
7	PO-000217	RACCORDO		CONNECTOR	RACCORD	ANSCHLUSSSTUTZEN	RACOR
8	S1-70002	TUBO FLESSIBILE	L=800	HYDRAULIC PIPE	TUBE FLEXIBLE	SCHLAUCH	TUBO
9	PO-000072	RACCORDO ANGOLARE		ANGLE UNION	RACCORD ANGULAIRE	ANSCHLUSSSTUTZEN	CONEXION
10	S2-70001	CILINDRO SINISTRO		LEFT CYLINDER	VERIN GAUCHE	ZYLINDER LINKS	CILINDRO IZQUIERDO
11	S1-70003	TUBO FLESSIBILE	L=600	HYDRAULIC PIPE	TUBE FLEXIBLE	SCHLAUCH	TUBO
12	PO-000147	VALVOLA		VALVE	CLAPET	VENTIL	VALVULA



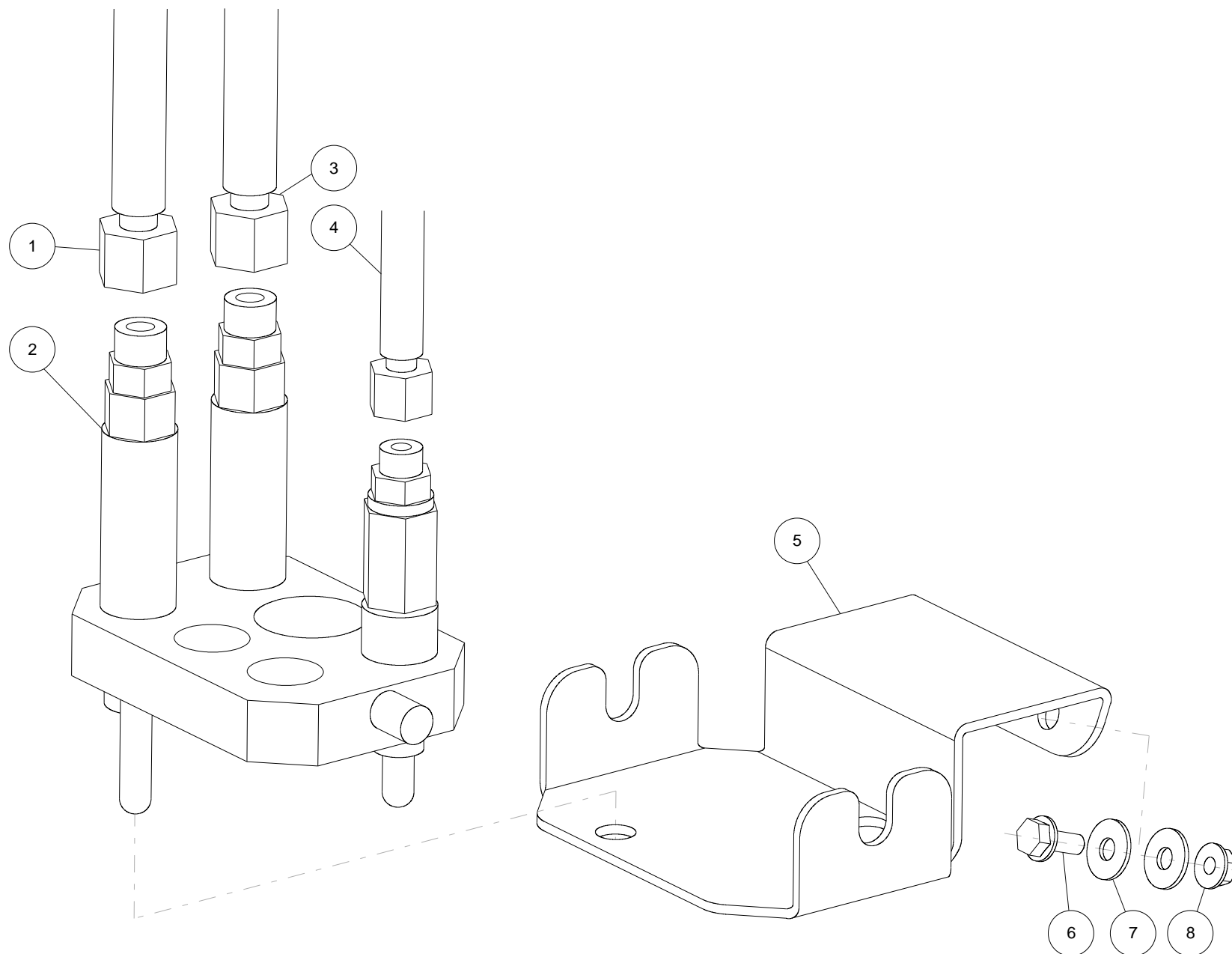
Pos	Code	Descrizione	Note	Description	Description	Beschreibung	Descripción
1	S1-70017	TUBO FLESSIBILE	L=150	HYDRAULIC PIPE	TUBE FLEXIBLE	SCHLAUCH	TUBO
2	S1-70018	TUBO FLESSIBILE	L=150	HYDRAULIC PIPE	TUBE FLEXIBLE	SCHLAUCH	TUBO
3	M1-70046	TUBO FLESSIBILE	L=1260	HYDRAULIC PIPE	TUBE FLEXIBLE	SCHLAUCH	TUBO
4	PO-000117	MULTICOUPLER		MULTICOUPLER	MULTICOUPLER	MULTICOUPLER	MULTICOUPLER
5	M1-90095	STAFFA		BRACKET	SUPPORT	BUEGEL	SOPORTE
6	PMF-000034	VITE TENSILOCK	M8X20	SECURING SCREW TENSILOCK	VIS TENSILOCK	SCHRAUBE TENSILOCK	TORNILLO TENSILOCK
7	PMF-000074	RONDELLA	8.4X24X2	WASHER	RONDELLE	SCHEIBE	ARANDELLA
8	PMF-000016	DADO TENSILOCK	M8	SECURING NUT TENSILOCK	ECROU TENSILOCK	SICHERUNGSMUTTER TENSILOCK	CONTRATUERCA TENSILOCK



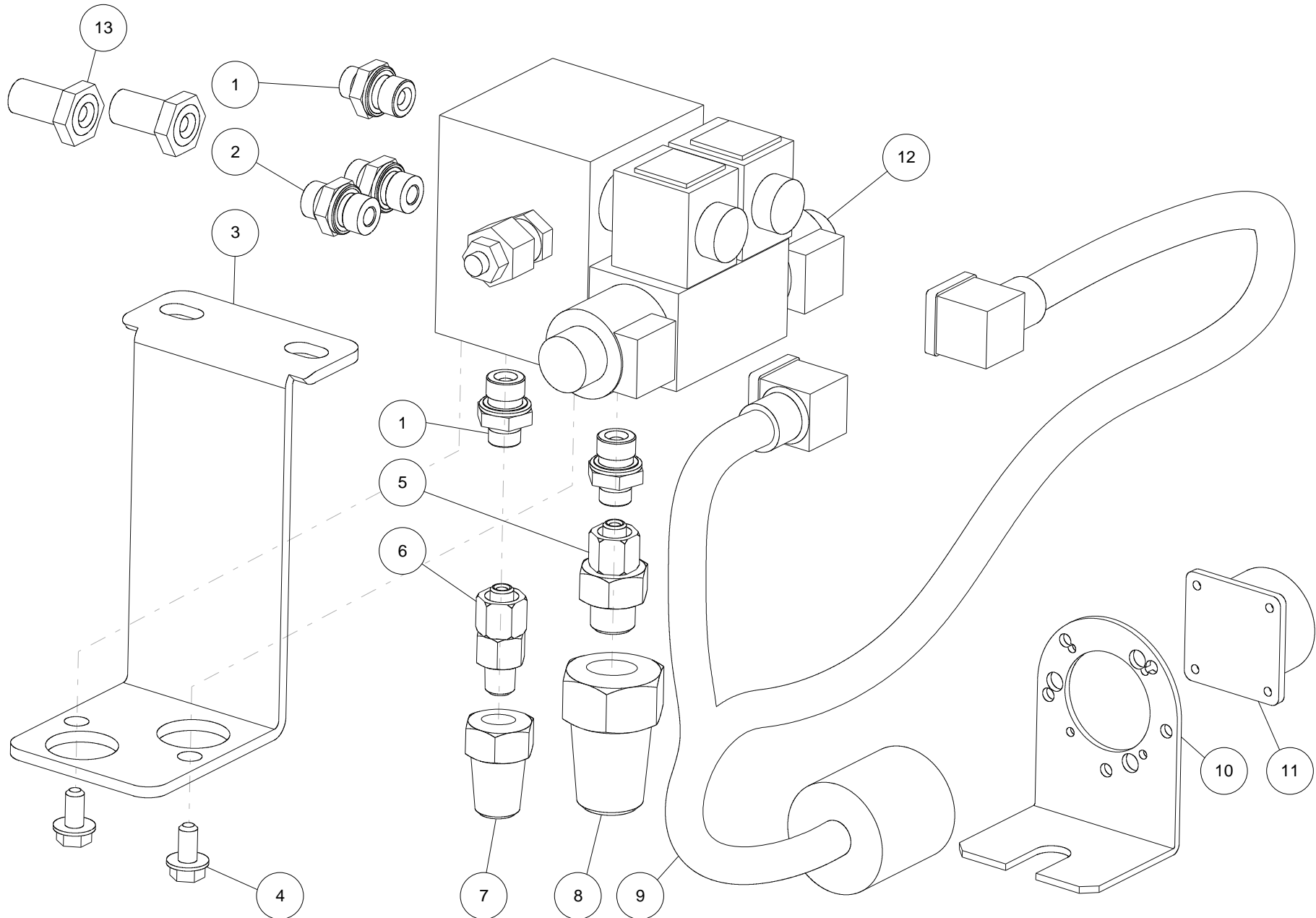
Pos	Code	Descrizione	Note	Description	Description	Beschreibung	Descripcìon
1	PO-000137	MULTICOUPLER		MULTICOUPLER	MULTICOUPLEUR	MULTICOUPLER	MULTICOUPLER
2	PMF-000016	DADO TENSILOCK	M8	SECURING NUT TENSILOCK	ECROU TENSILOCK	SICHERUNGSMUTTER TENSILOCK	CONTRATUERCA TENSILOCK
3	M1-70056	SUPPORTO		BRACKET	SUPPORT	ABSTUZUNG	SOPORTE
5	PMF-000040	VITE TENSILOCK	M10X25	SECURING SCREW TENSILOCK	VIS TENSILOCK	SCHRAUBE TENSILOCK	TORNILLO TENSILOCK
4	PMF-000012	DADO TENSILOCK	M10	SECURING NUT TENSILOCK	ECROU TENSILOCK	SICHERUNGSMUTTER TENSILOCK	CONTRATUERCA TENSILOCK
6	PMF-000140	VITE TCEI	M8X20	SOCKET HEAD SCREW	VIS CYLINDRIQUE	ZYLINDERSCHRAUBE	TORNILLO
7	PO-000170	RACCORDO		CONNECTOR	RACCORD	ANSCHLUSSSTUTZEN	RACOR
8	PO-000122	RACCORDO		CONNECTOR	RACCORD	ANSCHLUSSSTUTZEN	RACOR
9	PO-000031	RONDELLA BONDED		BONDED SEALS	RONDELLE BONDED	SCHEIBE	ARANDELLA
10	PO-000168	RACCORDO		CONNECTOR	RACCORD	ANSCHLUSSSTUTZEN	RACOR
11	M1-70045	TUBO FLESSIBILE	L=900	HYDRAULIC PIPE	TUBE FLEXIBLE	SCHLAUCH	TUBO



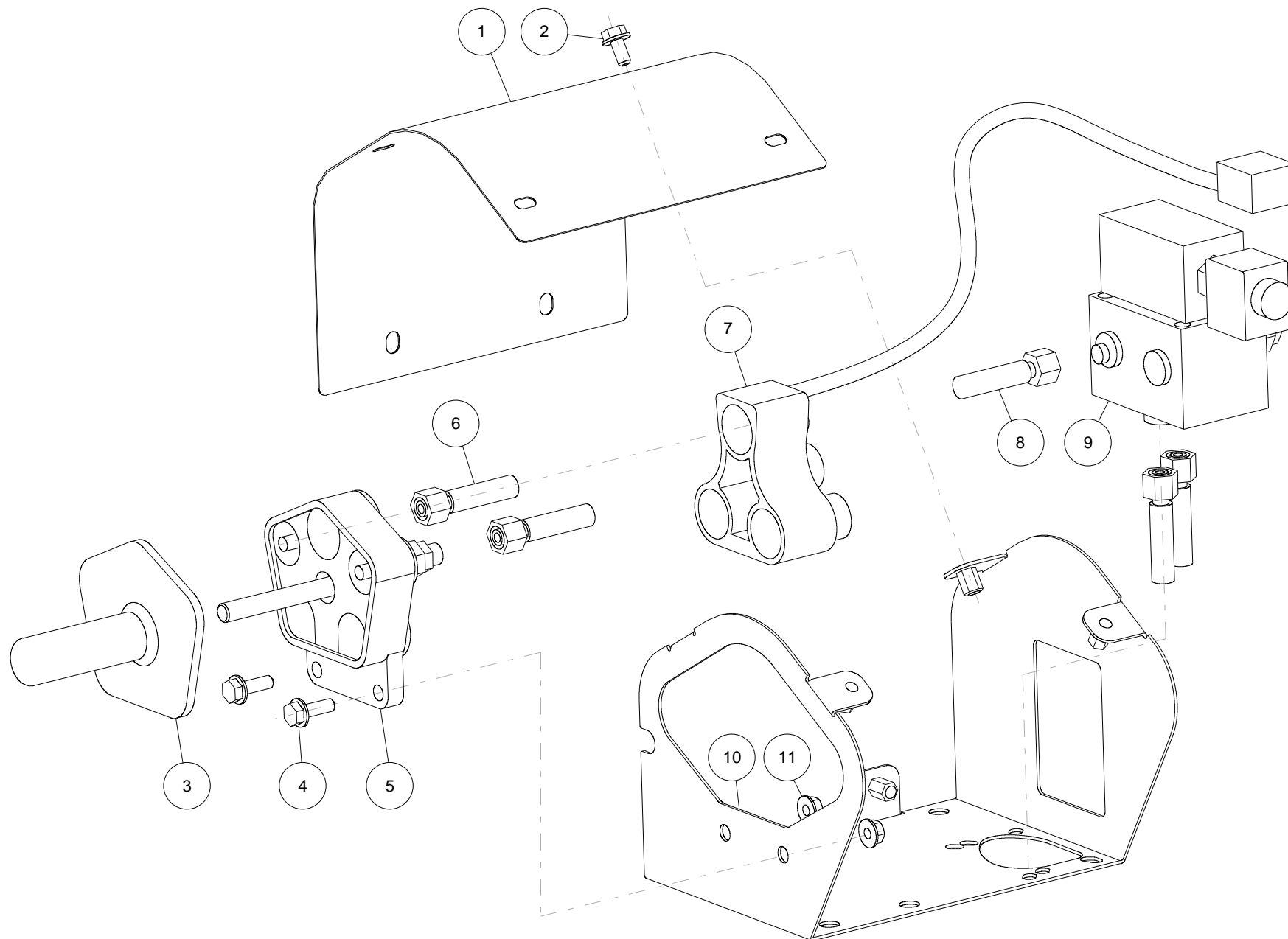
Pos	Code	Descrizione	Note	Description	Description	Beschreibung	Descripcìon
1	PMF-000016	DADO TENSILOCK	M8	SECURING NUT TENSILOCK	ECROU TENSILOCK	SICHERUNGSMUTTER TENSILOCK	CONTRATUERCA TENSILOCK
2	PMF-000074	RONDELLA	8.4X24X2	WASHER	RONDELLE	SCHEIBE	ARANDELLA
3	PMF-000034	VITE TENSILOCK	M8X20	SECURING SCREW TENSILOCK	VIS TENSILOCK	SCHRAUBE TENSILOCK	TORNILLO TENSILOCK
4	M1-90096	STAFFA		BRACKET	SUPPORT	BUEGEL	SOPORTE
5	10.4096.00	TUBO FLESSIBILE	L=250	HYDRAULIC PIPE	TUBE FLEXIBLE	SCHLAUCH	TUBO
6	PO-000212	MULTICOUPLER		MULTICOUPLER	MULTICOUPLEUR	MULTICOUPLER	MULTICOUPLER
7	M1-70045	TUBO FLESSIBILE	L=900	HYDRAULIC PIPE	TUBE FLEXIBLE	SCHLAUCH	TUBO
8	PO-000131	RACCORDO		CONNECTOR	RACCORD	ANSCHLUSSSTUTZEN	RACOR
9	PO-000031	RONDELLA BONDED		BONDED SEALS	RONDELLE BONDED	SCHEIBE	ARANDELLA
10	PO-000119	TAPPO		COVER	COUVERCLE	DECKEL	CUBIERTA



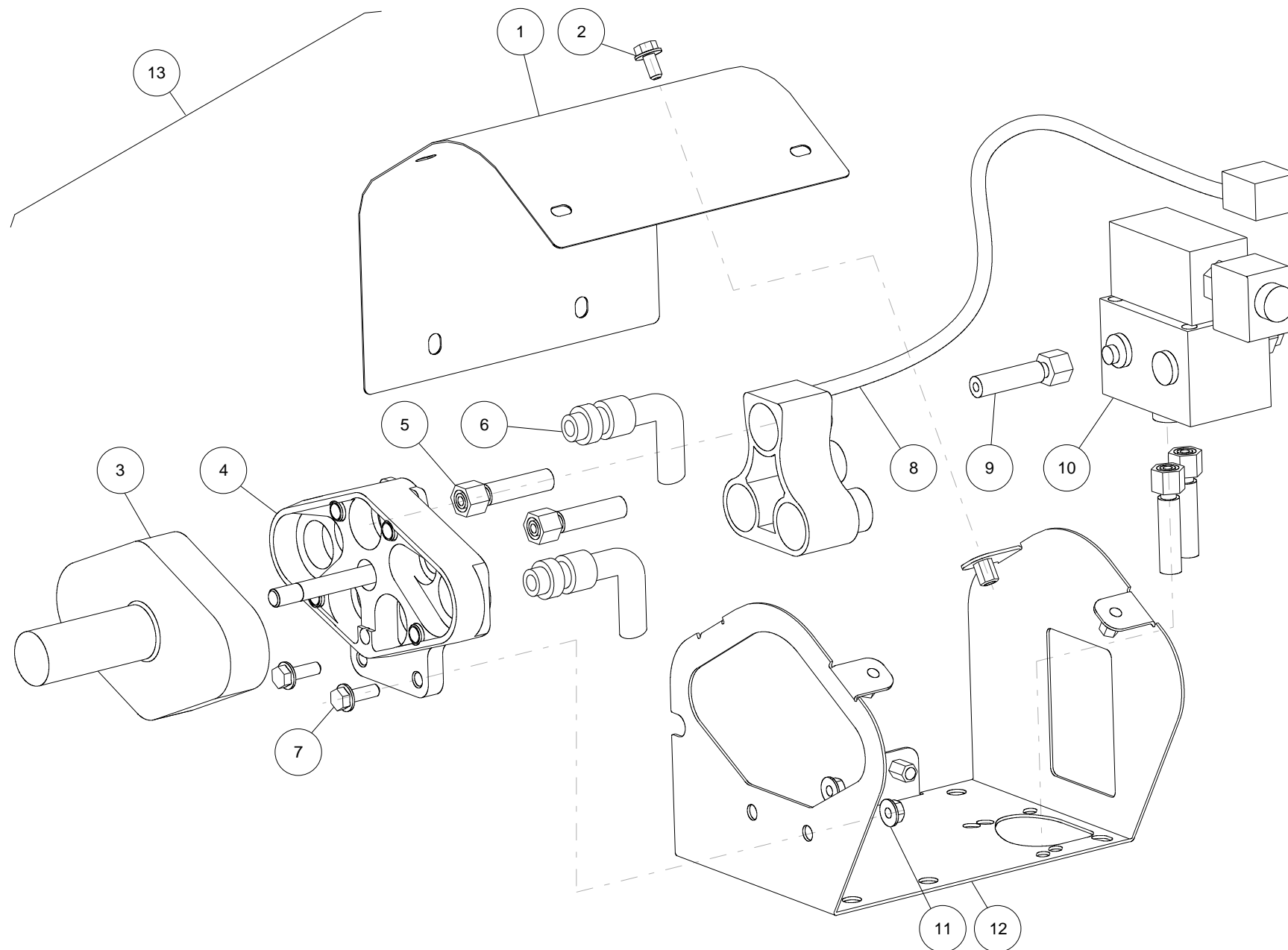
Pos	Code	Descrizione	Note	Description	Description	Beschreibung	Descripcìon
1	S1-70017	TUBO FLESSIBILE	L=150	HYDRAULIC PIPE	TUBE FLEXIBLE	SCHLAUCH	TUBO
2	05.0024.00	MULTICOUPLER		MULTICOUPLER	MULTICOUPLEUR	MULTICOUPLER	MULTICOUPLER
3	S1-70018	TUBO FLESSIBILE	L=150	HYDRAULIC PIPE	TUBE FLEXIBLE	SCHLAUCH	TUBO
4	M1-70044	TUBO FLESSIBILE	L=1000	HYDRAULIC PIPE	TUBE FLEXIBLE	SCHLAUCH	TUBO
5	M1-90094	SUPPORTO		BRACKET	SUPPORT	ABSTUZUNG	SOPORTE
6	PMF-000034	VITE TENSILOCK	M8X20	SECURING SCREW TENSILOCK	VIS TENSILOCK	SCHRAUBE TENSILOCK	TORNILLO TENSILOCK
7	PMF-000074	RONDELLA	8.4X24X2	WASHER	RONDELLE	SCHEIBE	ARANDELLA
8	PMF-000016	DADO TENSILOCK	M8	SECURING NUT TENSILOCK	ECROU TENSILOCK	SICHERUNGSMUTTER TENSILOCK	CONTRATUERCA TENSILOCK



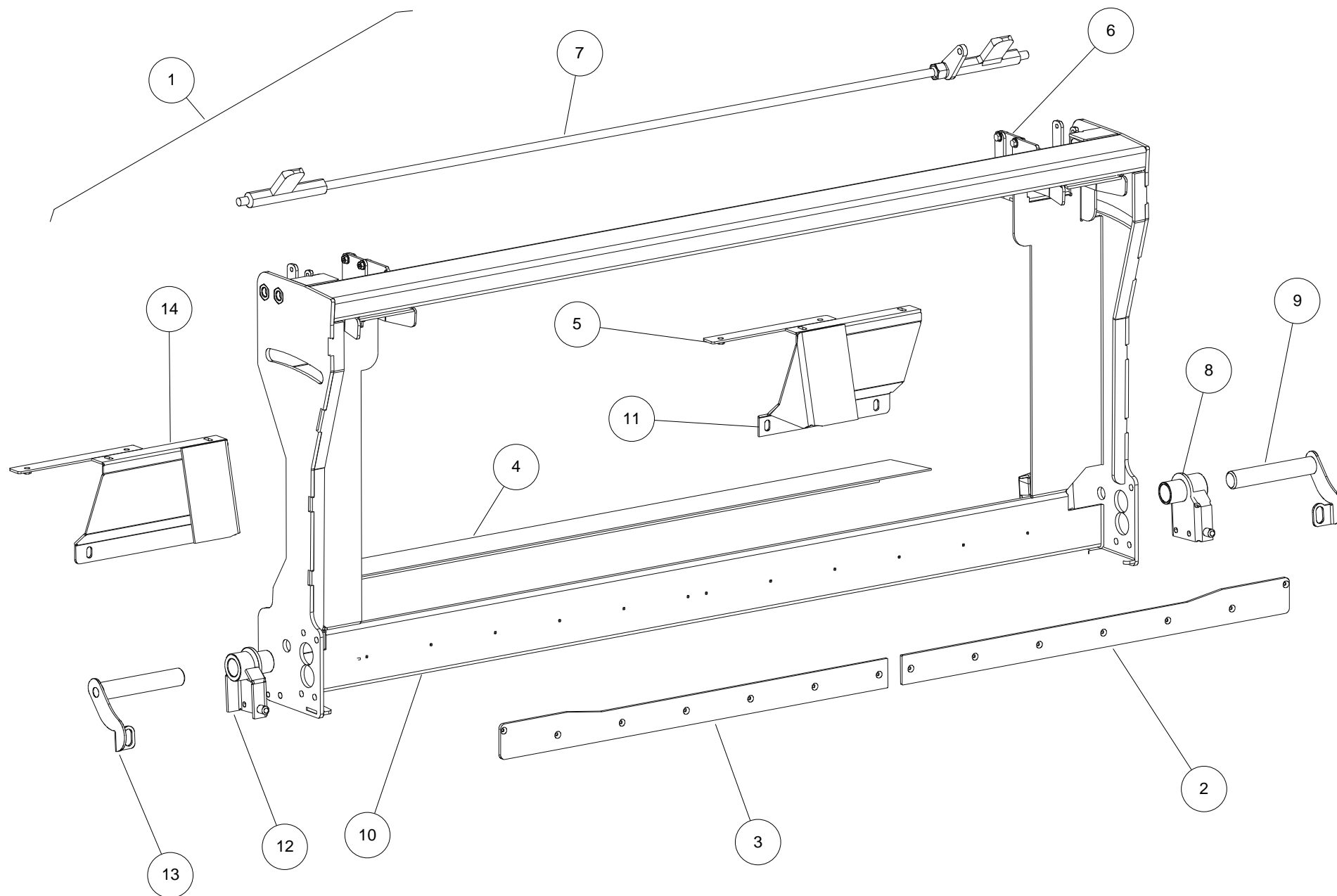
Pos	Code	Descrizione	Note	Description	Description	Beschreibung	Descripcìon
1	PO-000188	RACCORDO		CONNECTOR	RACCORD	ANSCHLUSSSTUTZEN	RACOR
2	PO-000163	RACCORDO		CONNECTOR	RACCORD	ANSCHLUSSSTUTZEN	RACOR
3	10.4029.00	STAFFA		BRACKET	SUPPORT	BUEGEL	SOPORTE
4	PMF-000047	VITE TENSILOCK	M8X16	SECURING SCREW TENSILOCK	VIS TENSILOCK	SCHRAUBE TENSILOCK	TORNILLO TENSILOCK
5	S1-70024	RACCORDO		CONNECTOR	RACCORD	ANSCHLUSSSTUTZEN	RACOR
6	S1-70025	RACCORDO		CONNECTOR	RACCORD	ANSCHLUSSSTUTZEN	RACOR
7	PO-000197	RACCORDO		CONNECTOR	RACCORD	ANSCHLUSSSTUTZEN	RACOR
8	PO-000196	RACCORDO		CONNECTOR	RACCORD	ANSCHLUSSSTUTZEN	RACOR
9	S1-60001	CABLAGGIO ELETTRICO		ELECTRICAL WIRING	CABLAGE ELECTRIQUE	ELEKTROVERKABELUNG	CABLEADO ELÉCTRICO
10	M1-60001	STAFFA		BRACKET	SUPPORT	BUEGEL	SOPORTE
11	PE-000095	PRESA		ELECTRICAL OUTLET	PRISE ELECTRIQUE	STECKDOSE	TOMA ELECTRICA
12	PO-000211	MULTICOUPLER		MULTICOUPLER	MULTICOUPLER	MULTICOUPLER	MULTICOUPLER
13	15.1890.00	TUBO FLESSIBILE		HYDRAULIC PIPE	TUBE FLEXIBLE	SCHLAUCH	TUBO



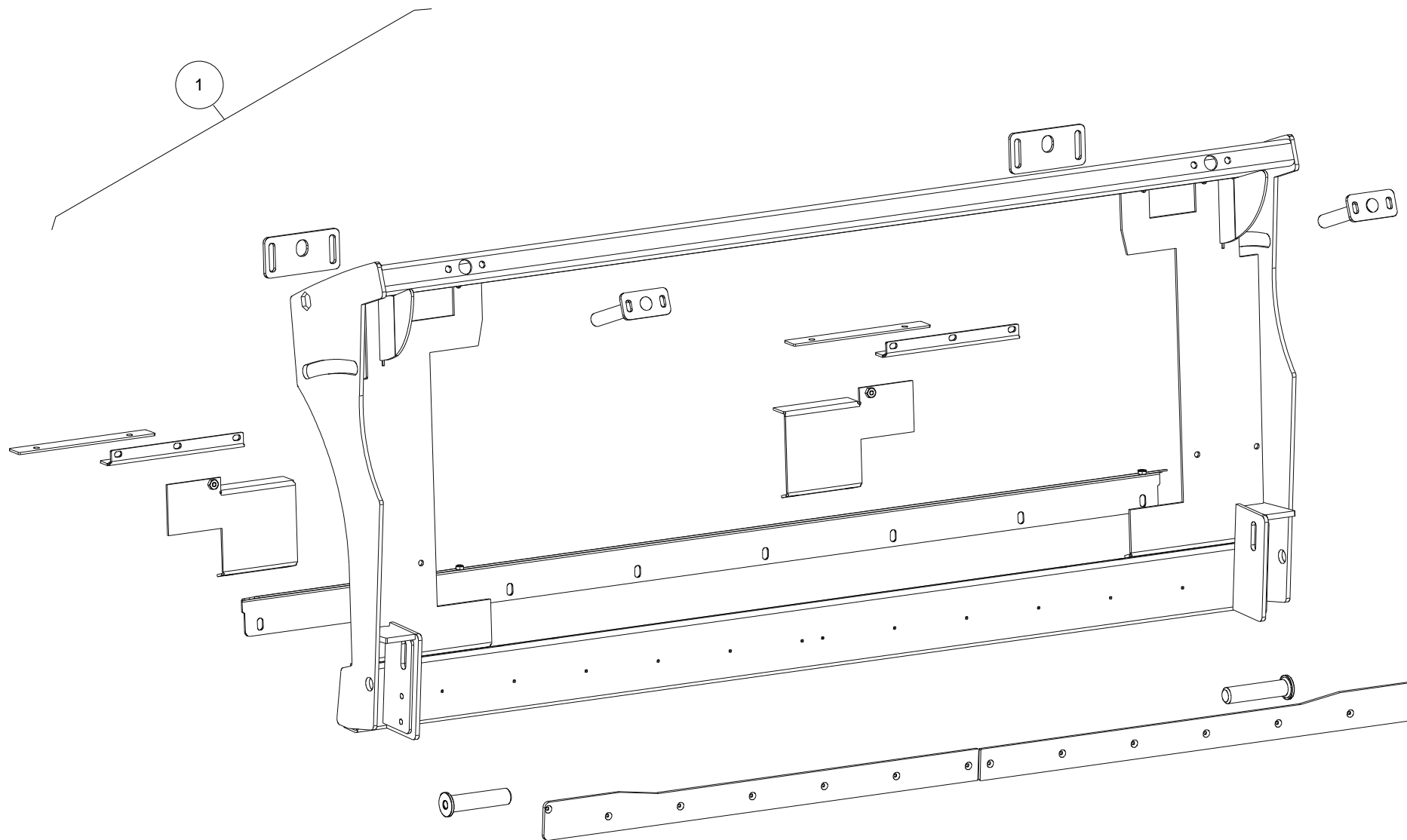
Pos	Code	Descrizione	Note	Description	Description	Beschreibung	Descripcìon
1	M1-90091	COPERCHIO		COVER	COUVERTURE	DECKEL	CUBIERTA
2	PMF-000047	VITE TENSILOCK	M8X16	SECURING SCREW TENSILOCK	VIS TENSILOCK	SCHRAUBE TENSILOCK	TORNILLO TENSILOCK
3	PO-000136	TAPPO		COVER	COUVERCLE	DECKEL	CUBIERTA
4	PMF-000041	VITE TENSILOCK	M8X25	SECURING SCREW TENSILOCK	VIS TENSILOCK	SCHRAUBE TENSILOCK	TORNILLO TENSILOCK
5	PE-000045	PIASTRA		PLATE	PLAQUE	PLATTE	PLACA
6	M1-70048	TUBO FLESSIBILE	L=420	HYDRAULIC PIPE	TUBE FLEXIBLE	SCHLAUCH	TUBO
7	PE-000104	CABLAGGIO ELETTRICO		ELECTRICAL WIRING	CABLAGE ELECTRIQUE	ELEKTROVERKABELUNG	CABLEADO ELÉCTRICO
8	M1-70047	TUBO FLESSIBILE	L=890	HYDRAULIC PIPE	TUBE FLEXIBLE	SCHLAUCH	TUBO
9	PO-000187	ELETTROVALVOLA		SOLENOID VALVE	ÉLECTROVALVE	MAGNETVENTILS	ELECTROVÁLVULA
10	M1-90090	SUPPORTO		BRACKET	SUPPORT	ABSTUZZUNG	SOPORTE
11	PMF-000016	DADO TENSILOCK	M8	SECURING NUT TENSILOCK	ECROU TENSILOCK	SICHERUNGSMUTTER TENSILOCK	CONTRATUERCA TENSILOCK



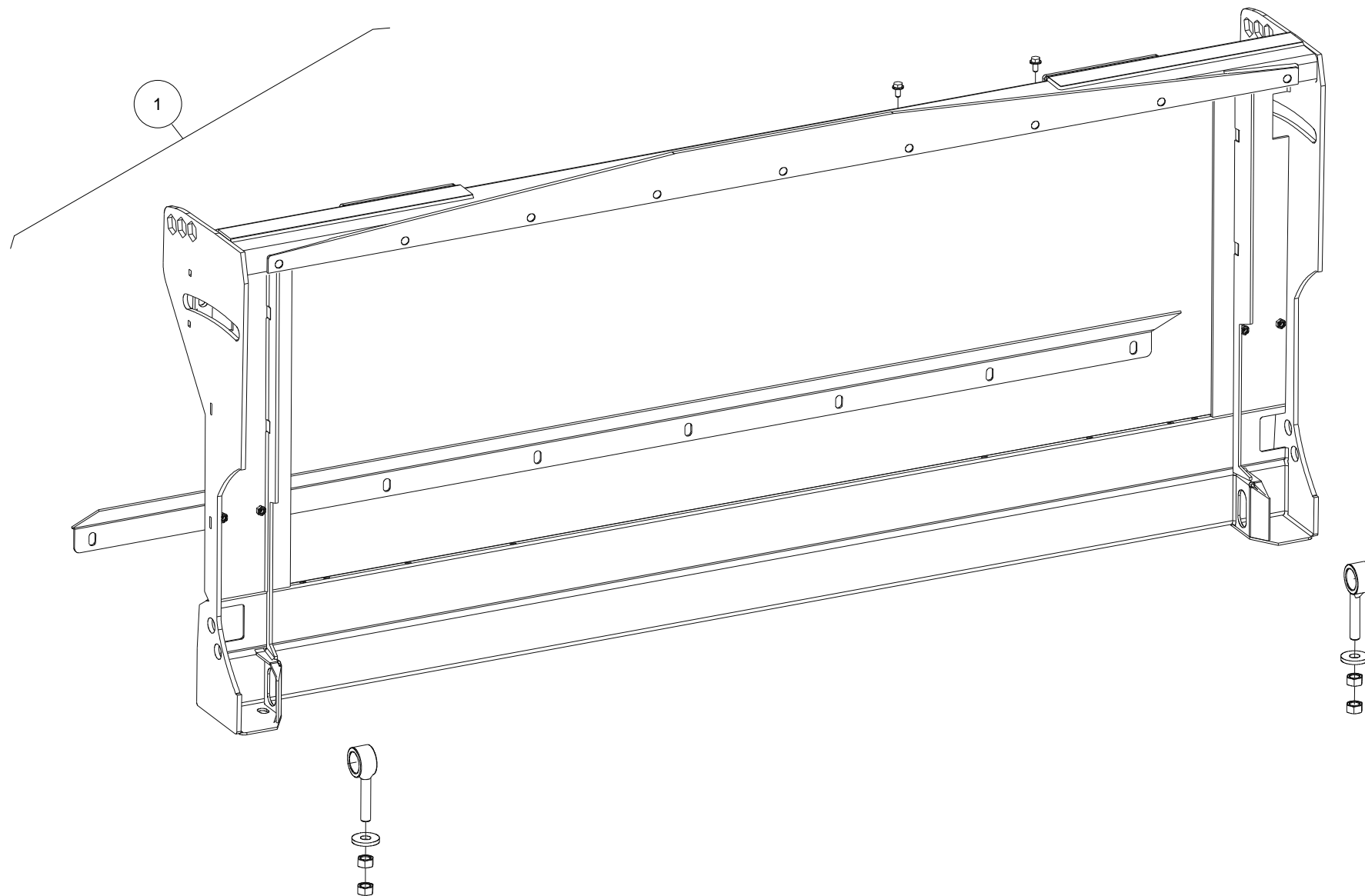
Pos	Code	Descrizione	Note	Description	Description	Beschreibung	Descripcìon
1	M1-90091	COPERCHIO		COVER	COUVERTURE	DECKEL	CUBIERTA
2	PMF-000047	VITE TENSILOCK	M8X16	SECURING SCREW TENSILOCK	VIS TENSILOCK	SCHRAUBE TENSILOCK	TORNILLO TENSILOCK
3	PO-000135	TAPPO		COVER	COUVERCLE	DECKEL	CUBIERTA
4	PE-000043	PIASTRA		PLATE	PLAQUE	PLATTE	PLACA
5	M1-70048	TUBO FLESSIBILE	L=420	HYDRAULIC PIPE	TUBE FLEXIBLE	SCHLAUCH	TUBO
6	M2-70005	RACCORDO		CONNECTOR	RACCORD	ANSCHLUSSSTUTZEN	RACOR
7	PMF-000041	VITE TENSILOCK	M8X25	SECURING SCREW TENSILOCK	VIS TENSILOCK	SCHRAUBE TENSILOCK	TORNILLO TENSILOCK
8	PE-000104	CABLAGGIO ELETTRICO		ELECTRICAL WIRING	CABLAGE ELECTRIQUE	ELEKTROVERKABELUNG	CABLEADO ELÉCTRICO
9	M1-70047	TUBO FLESSIBILE	L=890	HYDRAULIC PIPE	TUBE FLEXIBLE	SCHLAUCH	TUBO
10	PO-000187	ELETTROVALVOLA		SOLENOID VALVE	ÉLECTROVALVE	MAGNETVENTILS	ELECTROVÁLVULA
11	PMF-000016	DADO TENSILOCK	M8	SECURING NUT TENSILOCK	ECROU TENSILOCK	SICHERUNGSMUTTER TENSILOCK	CONTRATUERCA TENSILOCK
12	M1-90090	SUPPORTO		BRACKET	SUPPORT	ABSTUZUNG	SOPORTE
13	KS-000002	KIT MULTICOUPLER		KIT MULTICOUPLER	KIT MULTICOUPLER	KIT MULTICOUPLER	KIT MULTICOUPLER



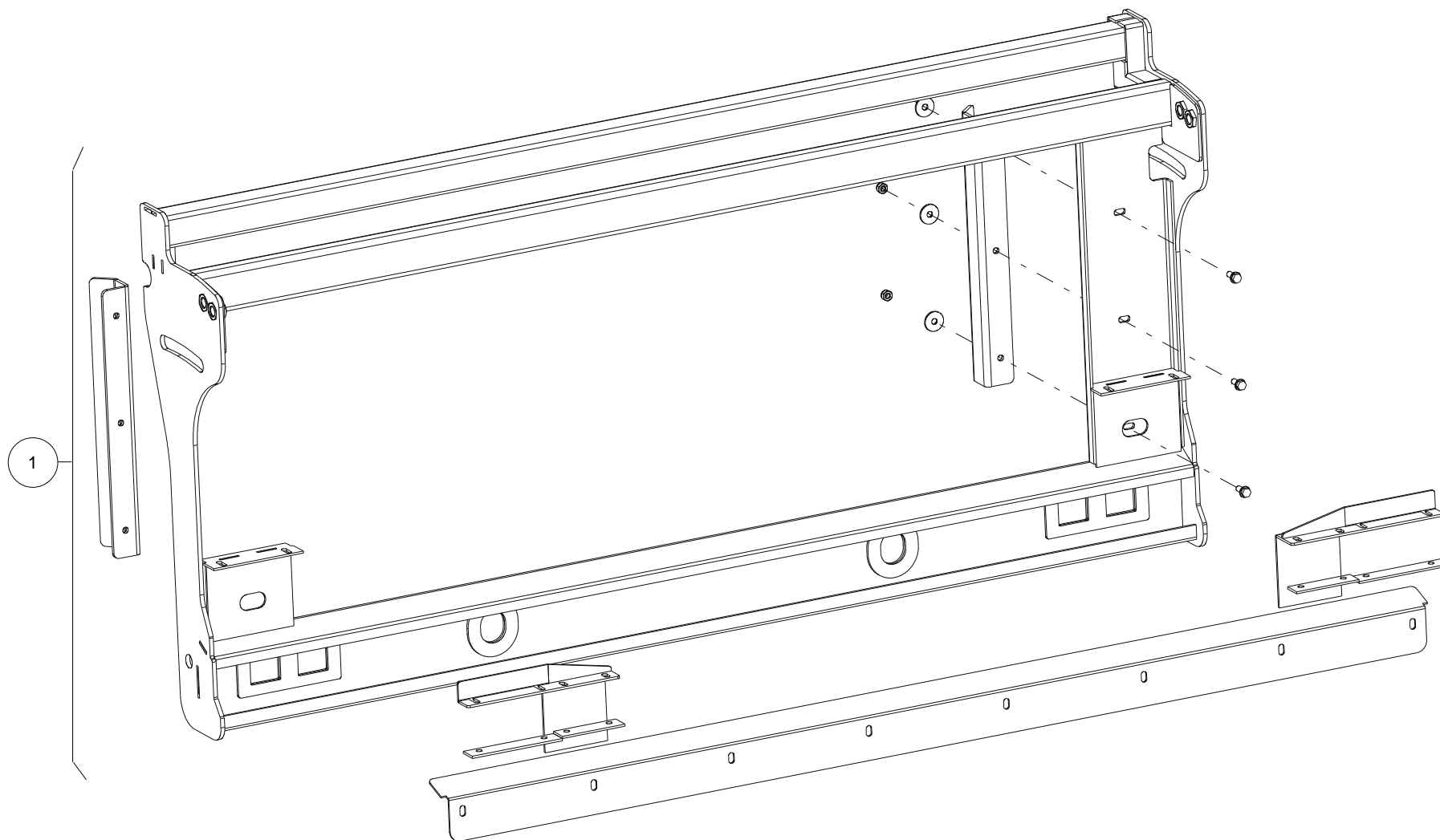
Pos	Code	Descrizione	Note	Description	Description	Beschreibung	Descripción
1	S3-50001	PIASTRA D'ATTACCO COMPLETA		COMPLETE MOUNTING PLATE	PLAQUE COMPLETE	EINHAENGESCHILD KOMPLETT	PLACA DE MONTAJE COMPLETA
2	01.2393.00	PIASTRA		PLATE	PLAQUE	PLATTE	PLACA
3	01.2392.00	PIASTRA		PLATE	PLAQUE	PLATTE	PLACA
4	S1-50001	ONDA		PLATE	PLAQUE	PLATTE	PLACA
5	S1-50002	RASAMENTO		STRIPPER KNIFE	LAME RACLEUSE	ABSTREIFMESSER	RASCADOR
6	S1-50020	PIASTRA		PLATE	PLAQUE	PLATTE	PLACA
7	S2-50001	MANIGLIA		STRAP	MANILLE	HANDGRIFF	MANIJA
8	S2-50002	AGGANCIO		HOOK	CROCHET	VERSCHLUSSHAKEN	GANCHO
9	S2-50003	PERNO DESTRO		RIGHT PIVOT	PIVOT DROITE	ZAPFEN RECHTS	PIVOTE DERECHI
10	S2-50004	PIASTRA		PLATE	PLAQUE	PLATTE	PLACA
11	S2-50005	STRETTOIA DESTRA		RIGHT PLATE	PLAQUE DROITE	PLATTE RECHTS	PLACA DERECHA
12	S2-50021	AGGANCIO		HOOK	CROCHET	VERSCHLUSSHAKEN	GANCHO
13	S2-50030	PERNO SINISTRO		LEFT PIVOT	PIVOT GAUCHE	ZAPFEN LINKS	PIVOTE IZQUIERDO
14	S2-50031	STRETTOIA SINISTRA		LEFT PLATE	PLAQUE GAUCHE	PLATTE LINKS	PLACA IZQUIERDA



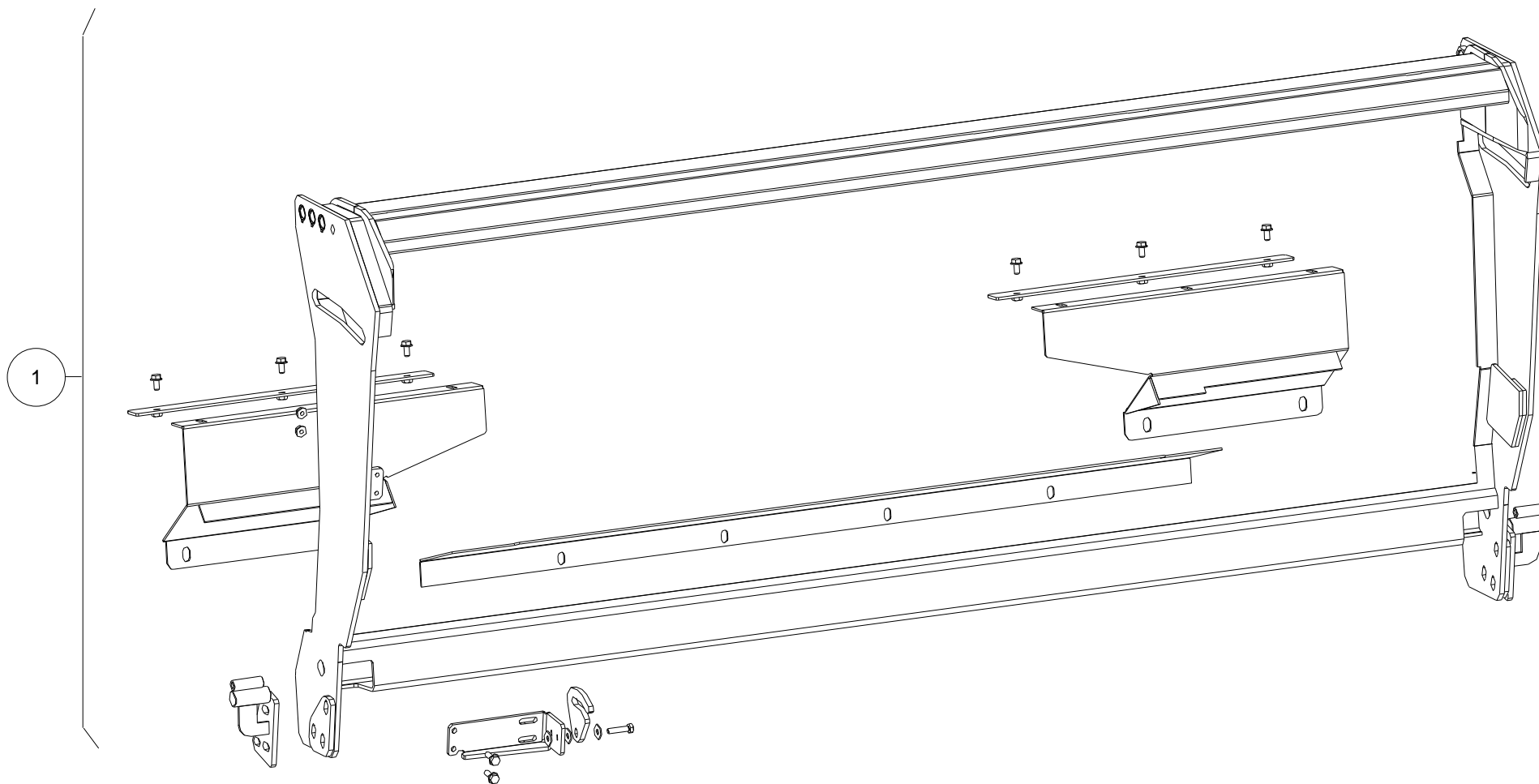
Pos	Code	Descrizione	Note	Description
1	S3-50002	PIASTRA D'ATTACCO COMPLETA		COMPLETE MOUNTING PLATE



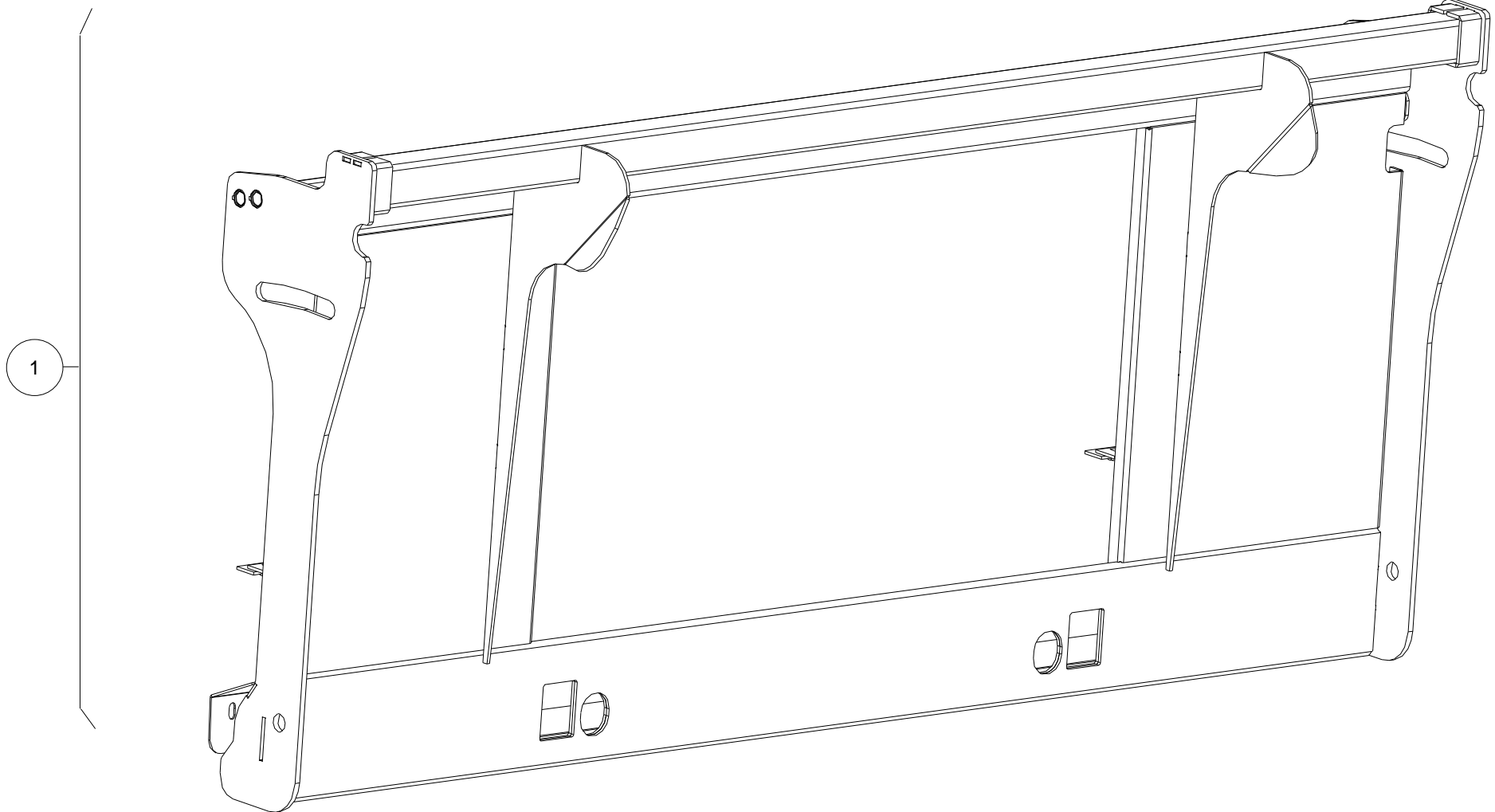
Pos	Code	Descrizione	Note	Description
1	S3-50004	PIASTRA D'ATTACCO COMPLETA		COMPLETE MOUNTING PLATE



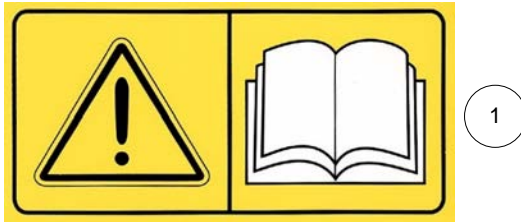
Pos	Code	Descrizione	Note	Description
1	S3-50007	PIASTRA D'ATTACCO COMPLETA		COMPLETE MOUNTING PLATE



Pos	Code	Descrizione	Note	Description
1	S3-50013	PIASTRA D'ATTACCO COMPLETA		COMPLETE MOUNTING PLATE



Pos	Code	Descrizione	Note	Description
1	S3-50015	PIASTRA D'ATTACCO COMPLETA		COMPLETE MOUNTING PLATE



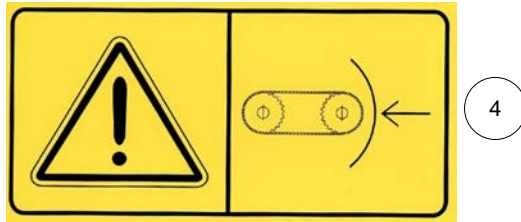
1



2



3



4



5



6



7

Healthus

14



8

9



10



11

9400 12000

16

12

7500 5700

15



13

Pos	Code	Descrizione	Note	Description	Description	Beschreibung	Descripcìon
1	S1-40100	ADESIVO		TAG	ADHESIF	AUFKLEBER	ADHESIVO
2	S1-40101	ADESIVO		TAG	ADHESIF	AUFKLEBER	ADHESIVO
3	S1-40103	ADESIVO		TAG	ADHESIF	AUFKLEBER	ADHESIVO
4	S1-40102	ADESIVO		TAG	ADHESIF	AUFKLEBER	ADHESIVO
5	S1-40105	ADESIVO		TAG	ADHESIF	AUFKLEBER	ADHESIVO
6	S1-40104	ADESIVO		TAG	ADHESIF	AUFKLEBER	ADHESIVO
7	S1-40106	ADESIVO		TAG	ADHESIF	AUFKLEBER	ADHESIVO
8	S1-40109	ADESIVO		TAG	ADHESIF	AUFKLEBER	ADHESIVO
9	S1-40107	ADESIVO		TAG	ADHESIF	AUFKLEBER	ADHESIVO
10	S1-40108	ADESIVO		TAG	ADHESIF	AUFKLEBER	ADHESIVO
11	S1-40110	ADESIVO		TAG	ADHESIF	AUFKLEBER	ADHESIVO
12	S1-40111	ADESIVO		TAG	ADHESIF	AUFKLEBER	ADHESIVO
13	S1-40113	ADESIVO		TAG	ADHESIF	AUFKLEBER	ADHESIVO
14	S1-40122	ADESIVO		TAG	ADHESIF	AUFKLEBER	ADHESIVO
15	S1-40143	ADESIVO		TAG	ADHESIF	AUFKLEBER	ADHESIVO
16	S1-40157	ADESIVO		TAG	ADHESIF	AUFKLEBER	ADHESIVO



ISO 9001
BUREAU VERITAS
Certification



Certificate No: IT258975

This Company and its organization has been audited and found to be in accordance with the requirement of the standard ISO 9001:2008 for "Research, development and manufacturing of forage and cereal harvesting headers".



capello

Capello s.r.l. – Via Valle Po, 100 – 12100 Cuneo ITALY
Tel. +39 0171-413997 – Fax. +39 0171-413677
www.capelloworld.it
parts@capello.it

Адреса офісу:

52005 м. Дніпро
смт. Слобожанське,
вул. Жасмінова 27

Контакти:

+380 56 375 6680
+380 67 630 9702
manager@liderparts.com.ua
<https://deutz-fahr-ukraine.com>
<https://liderparts.com.ua>